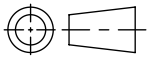
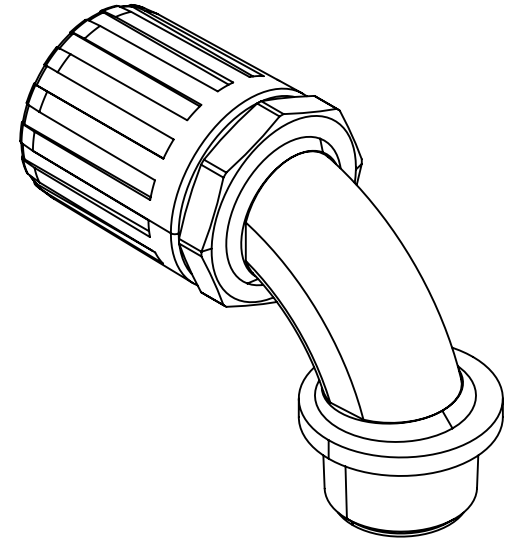
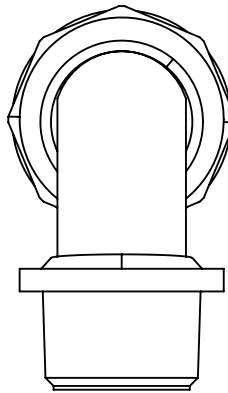
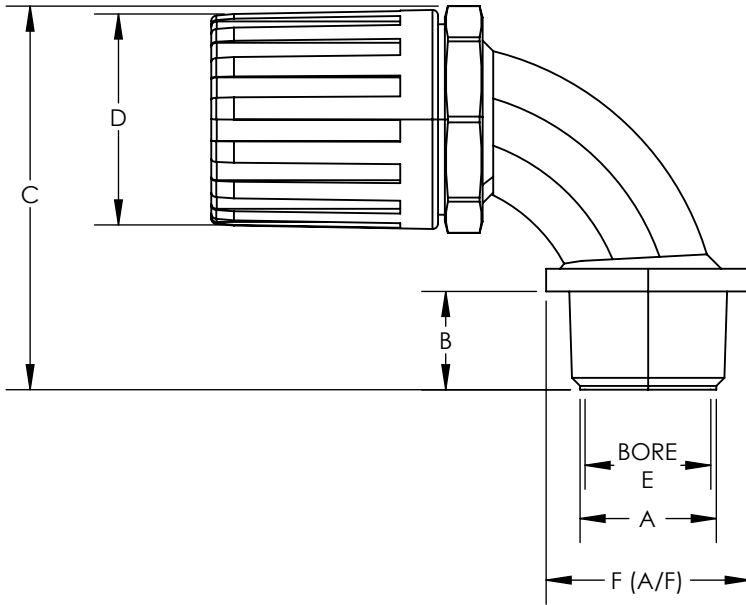


SW2015



Revision level			Revision Record	Changed	Date	Approved	Date
Drawing	State	Part					
00.0	Design Release		SEE ECN# 013811	CTF	04/18/2017	JG	04/18/2017



Conduit Size		HellermannTyton Part Number	Manufacturer Reference Number	Thread	Dimensions									
in.	mm			A	B		C		D		E		F (A/F)	
				NPT or M	in.	mm	in.	mm	in.	mm	in.	mm	in.	mm
3/8"	16.0	HGU038-90-0500	FPAU16-050-90B	1/2 NPT	0.51	13.0	1.50	38.0	1.14	29.0	0.55	14.0	1.06	27.0
1/2"	21.0	HGU050-90-0500	FPAU21-050-90B	1/2 NPT	0.51	13.0	1.57	40.0	1.26	32.0	0.55	14.0	1.06	27.0
3/4"	28.0	HGU075-90-0750	FPAU28-075-90B	3/4 NPT	0.59	15.0	2.01	51.0	1.73	44.0	0.75	19.0	1.26	32.0
1"	34.0	HGU100-90-1000	FPAU34-100-90B	1 NPT	0.63	16.0	2.32	59.0	2.01	51.0	0.96	24.5	1.57	40.0
1-1/4"	42.0	HGU125-90-1250	FPAU42-125-90B	1-1/4 NPT	0.63	16.0	3.23	82.0	2.48	63.0	1.28	32.5	1.97	50.0
1-1/4"	42.0	HGU125-90-1500	FPAU42-150-90B	1-1/2 NPT	0.63	16.0	3.27	83.0	2.48	63.0	1.54	39.0	2.36	60.0
1-1/2"	54.0	HGU150-90-1500	FPAU54-150-90B	1-1/2 NPT	0.63	16.0	3.46	88.0	2.99	76.0	1.54	39.0	2.36	60.0
1-1/2"	54.0	HGU150-90-2000	FPAU54-200-90B	2 NPT	0.63	16.0	3.46	88.0	2.99	76.0	1.95	49.5	2.83	72.0
3/8"	16.0	HGU16-90-M16B	FPAU16-M16-90B	M16x1.5	0.43	11.0	1.50	38.0	1.14	29.0	0.41	10.5	0.87	22.0
3/8"	16.0	HGU16-90-M20B	FPAU16-M20-90B	M20x1.5	0.51	13.0	1.50	38.0	1.14	29.0	0.55	14.0	1.06	27.0
1/2"	21.0	HGU21-90-M20B	FPAU21-M20-90B	M20x1.5	0.51	13.0	1.57	40.0	1.26	32.0	0.55	14.0	1.06	27.0
3/4"	28.0	HGU28-90-M25B	FPAU28-M25-90B	M25x1.5	0.59	15.0	2.01	51.0	1.73	44.0	0.75	19.0	1.26	32.0
1"	34.0	HGU34-90-M32B	FPAU34-M32-90B	M32x1.5	0.63	16.0	2.32	59.0	2.01	51.0	0.96	24.5	1.57	40.0
1-1/4"	42.0	HGU42-90-M40B	FPAU42-M40-90B	M40x1.5	0.63	16.0	3.23	82.0	2.48	63.0	1.28	32.0	1.97	50.0
1-1/4"	42.0	HGU42-90-M50B	FPAU42-M50-90B	M50x1.5	0.63	16.0	3.27	83.0	2.48	63.0	1.54	39.0	2.36	60.0
1-1/2"	54.0	HGU54-90-M50B	FPAU54-M50-90B	M50x1.5	0.63	16.0	3.46	88.0	2.99	76.0	1.54	39.0	2.36	60.0
1-1/2"	54.0	HGU54-90-M63B	FPAU54-M63-90B	M63x1.5	0.63	16.0	3.46	88.0	2.99	76.0	1.95	49.5	2.83	72.0

Material  
PA66

Units: inches  
Dimension without tolerances details to:  
.xxxx = ±.0005  
.xxx = ±.005  
.xx = ±.01  
.x = ±.03  
None = ±.06  
∠ = ±0.5°  
Dimension Formatted in[mm]

The copyright of this drawing is reserved by HellermannTyton. It is issued on condition that it is not reproduced, copied, or disclosed to a third party, either wholly or in part, without the consent of HellermannTyton.

Drawn CTF 04/18/2017  
Approved JG 04/18/2017

**HellermannTyton**  
North America  
Email: corp@htamericas.com  
Web: www.hellermann.tyton.com

Article/Type-No HGU-90 SERIES  
Title HELAGUARD ULTRA 90 DEGREE NYLON ELBOW FITTING, NPT OR METRIC THREAD, IP68  
Drawing-No PRODUCTION : Phase  
**17-0795-001-CSU**

Scale 1:1  
Project Number PRP 17-0795  
Format AH  
Sheet 1/1