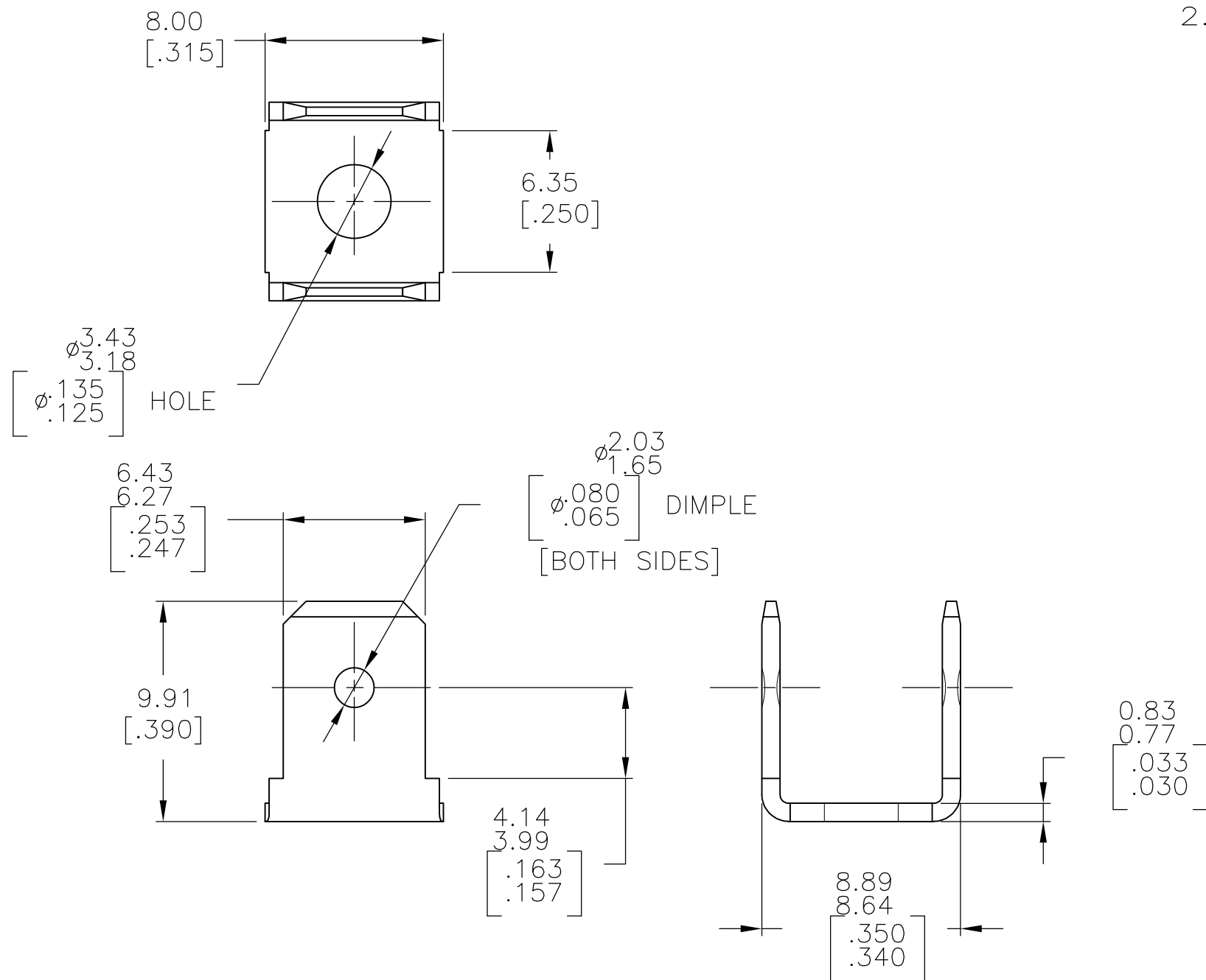


THIS DRAWING IS UNPUBLISHED. RELEASED FOR PUBLICATION

© COPYRIGHT - By - ALL RIGHTS RESERVED.

LOC	DIST	REVISIONS					
		P	LTR	DESCRIPTION	DATE	DWN	APVD
-	-	AG2		REVISED PER ECO-11-004820	11MAR11	RK	HMR

1. DIMENSIONS IN BRACKETS ARE IN INCHES.
2. SUPPLIED IN LOOSE PIECE.



41290
PART NUMBER

METRIC

THIS DRAWING IS A CONTROLLED DOCUMENT.		DWN	JR RUTH	8/12/86	STE TE Connectivity			
DIMENSIONS: mm [INCHES]		CHK	G YETTER	8/12/86				
TOLERANCES UNLESS OTHERWISE SPECIFIED:		APVD	C MEYERS	8/13/86	NAME			
0 PLC ± -		PRODUCT SPEC			.250 SERIES FASTON TAB			
1 PLC ± -		APPLICATION SPEC			RESTRICTED TO			
2 PLC ± -		SIZE	A3	CAGE CODE	00779	DRAWING NO	C-41290	
3 PLC ± 0.25 .010		WEIGHT			SCALE	4:1	SHEET	1 OF 1
4 PLC ± -		CUSTOMER DRAWING			REV	AG2		
ANGLES ± -		MATERIAL						
FINISH		NOS 2H BRASS						