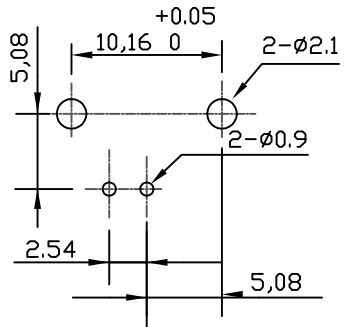
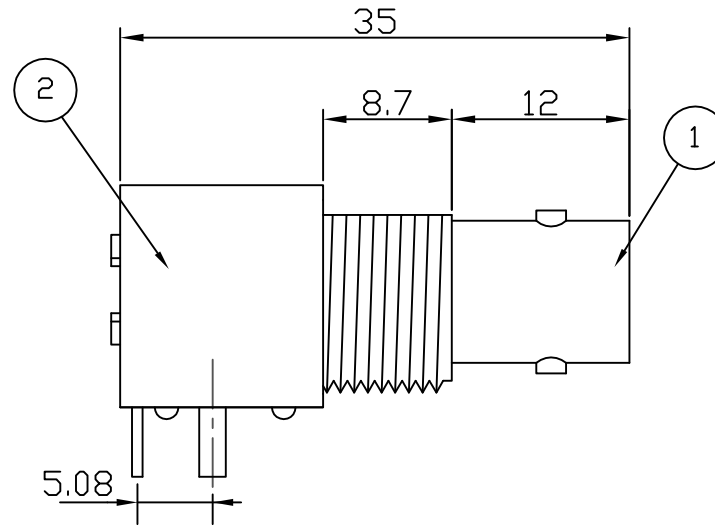
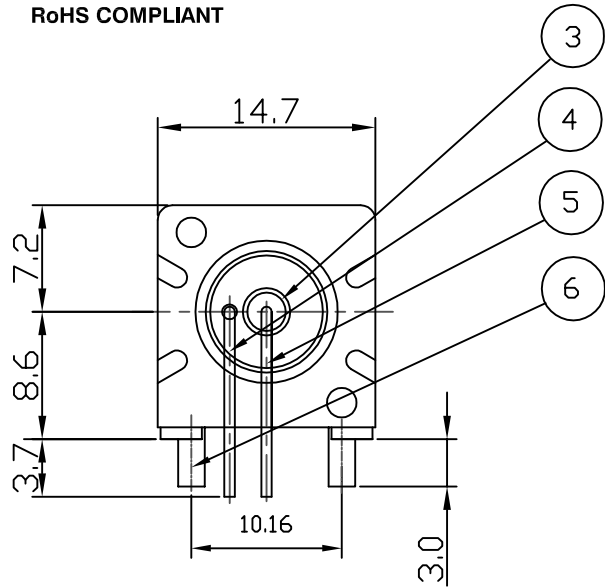
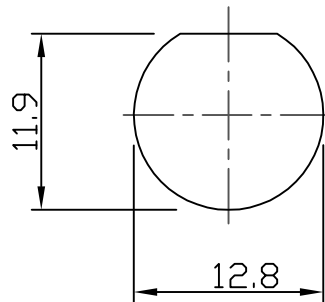


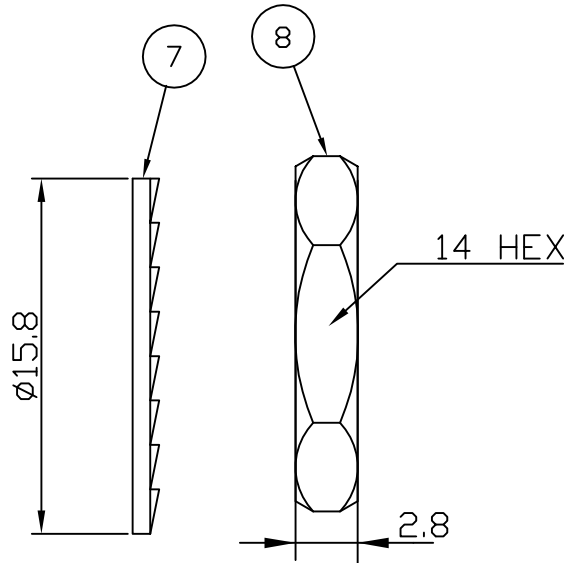
RoHS COMPLIANT



RECOMMENDED PCB LAYOUT



RECOMMENDED PANEL CUTOUT



Electrical Characteristics

Nominal Impedance:	50 ohms
Frequency Range:	DC to 4 GHz
VSWR:	1.3:1 maximum
Insertion Loss:	0.2 dB at 3 GHz
Operating Voltage (rms):	500 V maximum at sea level
Dielectric Withstand Voltage (rms):	1500 V maximum at sea level
Contact Resistance:	1.5 milliohms maximum
Insulation Resistance:	5000 megohms minimum

Mechanical Characteristics

Mating Cycles:	500 cycles minimum
Interface Dimensions:	Conform to MIL-C-39012

Environmental Characteristics

Temperature Range:	-65 °C to +165 °C
--------------------	-------------------

PART	DESCRIPTION
1	Shell Zinc Alloy, nickel plated
2	Body P.B.T. UL94V-0 (black)
3	Dielectric Polypropylene
4	Ground Terminal Copper-Clad Steel, tin plated
5	Socket Contact Phosphor Bronze, gold plated
6	Mount Post Brass, tin plated >5 Microns
7	Lock Washer Brass, nickel plated
8	Hex Nut Brass, nickel plated

DESCRIPTION OF REVISION	APPVD	ISS	DATE
Dimensional Changes	MS	5	07 May 08
Complete Update	KA	4	13 Mar 08
CAD Issue	SN	3	14 Jan 02
Dimensional changes	PDC	2	04 Feb 00
First Issue	AT	1	19 Dec 97



Cinch Connectivity Solutions
 7-13 Russel Way,
 Widford Industrial Estate,
 Chelmsford, Essex,
 CM1 3AA, UK.
 Tel: +44 (0) 1245 359515
 Fax: +44 (0) 1245 358938

SCALE: Not To Scale
 DIMENSIONS: mm
 TOLERANCES:
 ± 0.2mm unless
 otherwise stated

DRAWN BY: S Nash
 CHECKED BY: S Nash
 APPROVED BY: M Nielsen
 DATE: 14 Jan 02

TITLE:
BNC R/A PCB Mount Jack

PART NUMBER:
VBI201
 PAGE: 1 of 1