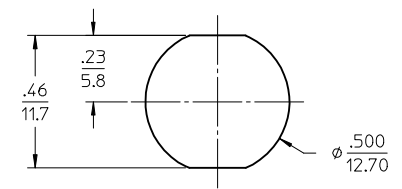
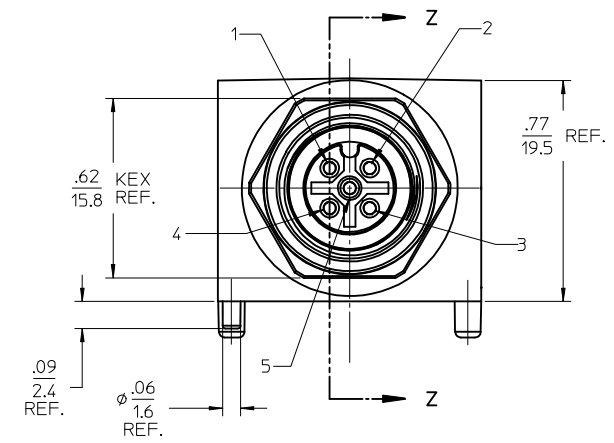
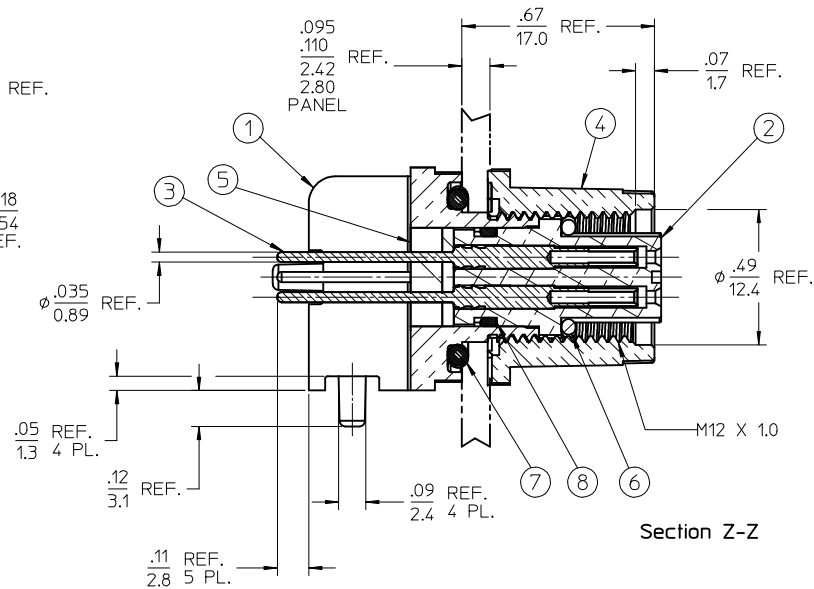
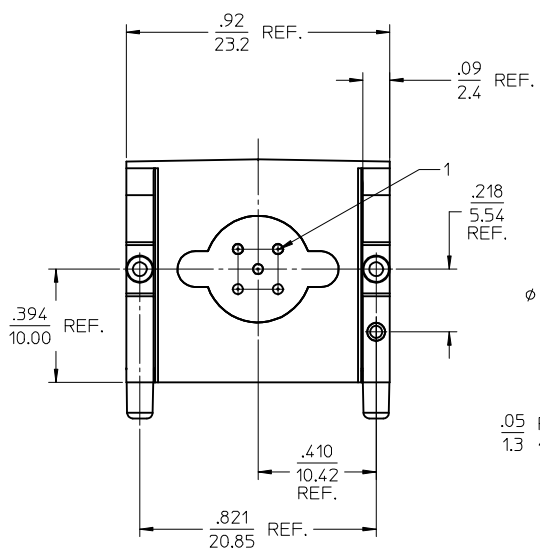
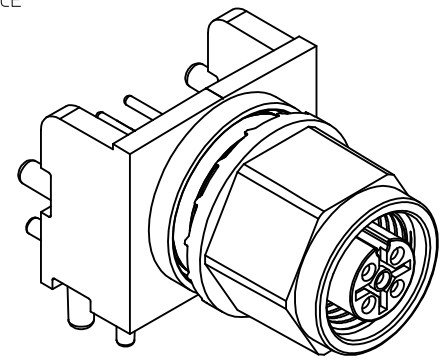
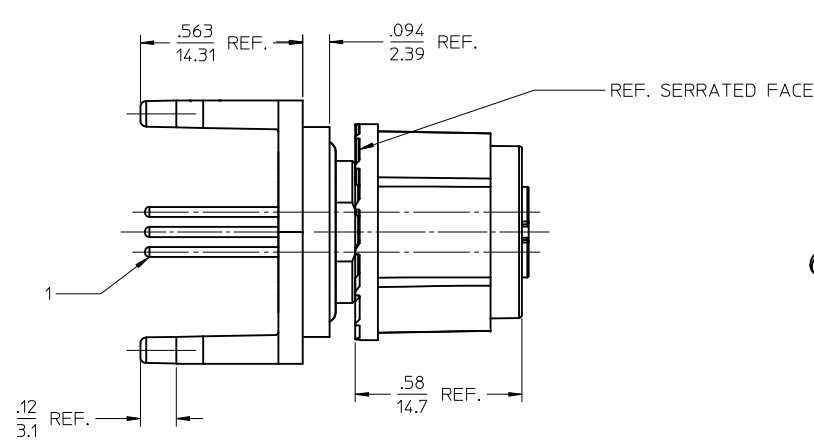
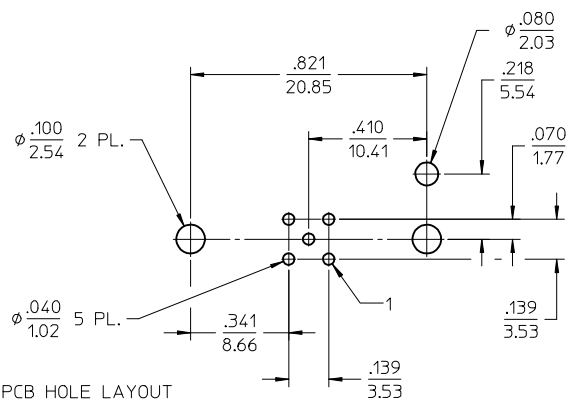


MATERIAL NO.	ENGINEERING NO.
1302990400	130299-0400



- NOTES:
1. MATERIAL: SEE TABLE
 2. FINISHES: SEE TABLE
 3. PRODUCT SPEC: PS-130299-001
 4. PACKAGING: PK-130299-001
 5. MATES WITH: MALE A-CODE CABLE ASSEMBLY
 6. ELECTRICAL SPECS:
VOLTAGE: 250V AC/DC
CURRENT: 4 AMPS
 7. PROTECTION: IP67
 8. ASSEMBLY IS RoHS COMPLIANT

ITEM	QTY.	DESCRIPTION	MATERIAL	FINISH
8	1	INSULATOR O-RING	VITON	BROWN
7	1	PANEL O-RING	VITON	RED
6	1	MATING O-RING	VITON	RED
5	A/R	POTTING COMPOUND	EPOXY	BLACK
4	1	PANEL NUT	ZINC (DIE-CAST)	CHROME/DUPLEX NICKEL
3	4	CONTACT SOCKET, STRAIGHT	BRASS	GOLD PLATED
2	1	5/C A-CODE INSULATOR	PUR	BLACK
1	1	RECEPTACLE SHELL, M12	ZINC (DIE-CAST)	WHITE BRONZE PLATING

POTTING WAS RED EC NO: IPG2017-0514 DRWINBRZOWSKI 2016/11/21 CHKD: APATEL APPR: APATEL 2016/12/05	QUALITY SYMBOLS
	$\nabla=0$ $\nabla=0$
	DESCRIPTION
	REV

GENERAL TOLERANCES (UNLESS SPECIFIED)															
<table border="1"> <thead> <tr> <th></th> <th>mm</th> <th>INCH</th> </tr> </thead> <tbody> <tr> <td>4 PLACES</td> <td>$\pm .005$</td> <td>$\pm .0005$</td> </tr> <tr> <td>3 PLACES</td> <td>$\pm .005$</td> <td>$\pm .0005$</td> </tr> <tr> <td>2 PLACES</td> <td>$\pm .013$</td> <td>$\pm .0010$</td> </tr> <tr> <td>1 PLACE</td> <td>$\pm .03$</td> <td>$\pm .0010$</td> </tr> </tbody> </table>		mm	INCH	4 PLACES	$\pm .005$	$\pm .0005$	3 PLACES	$\pm .005$	$\pm .0005$	2 PLACES	$\pm .013$	$\pm .0010$	1 PLACE	$\pm .03$	$\pm .0010$
	mm	INCH													
4 PLACES	$\pm .005$	$\pm .0005$													
3 PLACES	$\pm .005$	$\pm .0005$													
2 PLACES	$\pm .013$	$\pm .0010$													
1 PLACE	$\pm .03$	$\pm .0010$													
ANGULAR $\pm 2^\circ$															
DRAFT WHERE APPLICABLE MUST REMAIN WITHIN DIMENSIONS															

DIMENSION STYLE	SCALE	DESIGN UNITS	THIRD ANGLE PROJECTION
IN/MM	3:1	INCH	
DRAWN BY	DATE	TITLE	
RSTONE	2010/05/17	MIC PCB RECEPTACLE 5C, A-CODE, STRAIGHT	
CHECKED BY	DATE	MOLEX INCORPORATED	
K. JOZWIK	2010/05/25	MOLEX INCORPORATED	
APPROVED BY	DATE	DOCUMENT NO.	
JFMURPHY	2010/05/20	SD-130299-008	
MATERIAL NO.	SIZE	SHEET NO.	
SEE CHART	C	1 OF 1	

THIS DRAWING CONTAINS INFORMATION THAT IS PROPRIETARY TO MOLEX INCORPORATED AND SHOULD NOT BE USED WITHOUT WRITTEN PERMISSION