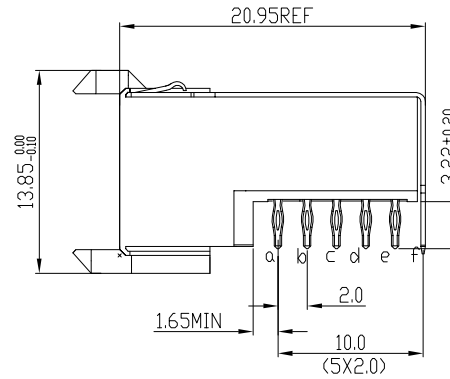
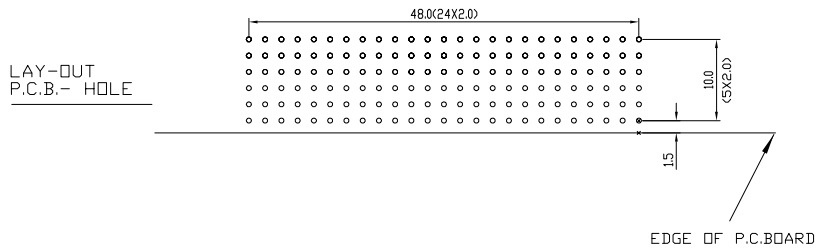
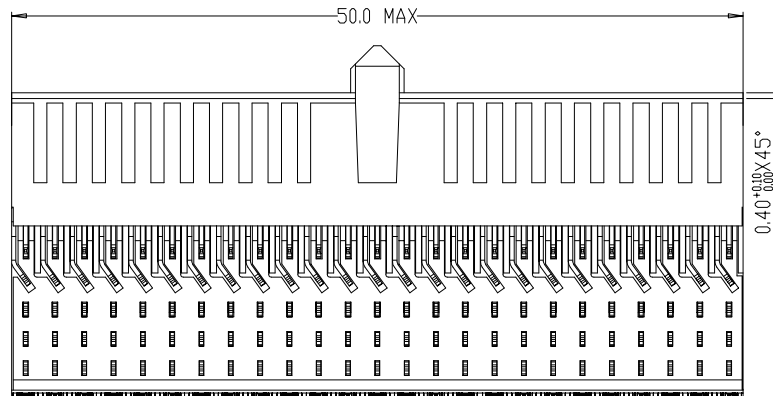
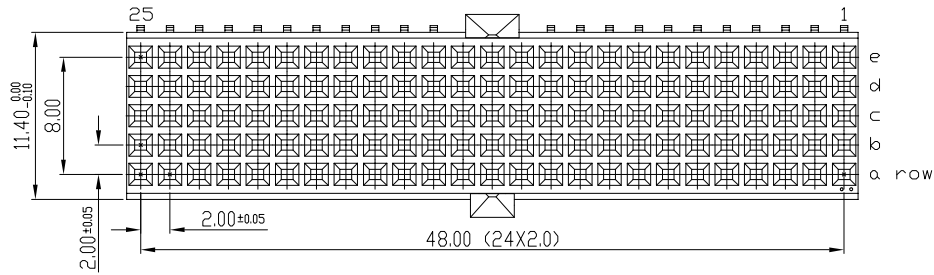


Tous droits strictement reserves. Reproduction ou communication a des tiers interdite sous quelque forme que ce soit sans autorisation ecrite du propriétaire. Propriete de c FCI. Droits de reproduction FCI.



All rights strictly reserved. Reproduction or issue to third parties in any form whatever is not permitted without written authority from the proprietor. Property of FCI. Copyright FCI.



PERFORMANCE CHARACTERISTICS

CURRENT RATING: 1.5 A AT 20°C (FULLY LOADED)
 1 A AT 70°C (FULLY LOADED)
 RATED VOLTAGE: 500 V AC (CONT /CONT)
 OPERATING TEMPERATURE : -55°C TO 125°C
 CONTACT RESISTANCE : 20 mΩ MAX
 INSERTION FORCE: 0.75N MAX/CONT
 EXTRACTION FORCE : 0.15N MIN /CONT
 INSULATION RESISTANCE: 10⁴ MΩ MIN

NOTES

- LEAD FREE INDICATOR :LF=LEAD FREE
- PERFORMANCE LEVEL INDICATOR (REF DWG NO.BS.C.201844.003)
- THIS PRODUCT IS CSA APPROVED. THIS PRODUCT IS UL RECOGNIZED.
- FOR RECOMMENDED PTH DIMENSIONS REFER DRAWING :BSA.201572.001
- THIS PRODUCT (LF) MEETS EUROPEAN UNION DIRECTIVES AND OTHER COUNTRY REGULATIONS AS DESCRIBED IN GS-22-008

rev	ecn no	dr	date
A	conversion version IR	KN	14-09-01
B	DG05-0278	Koson	02-08-05
C	DG07-0362	Koson	05-09-07
D	DG10-0110	NZ	05-30-10

Material		Spec ref		
Mat code		✓	tolerance	projection
Heattreat			1DEC+02 1DEC 2DEC ± 01 2DEC ANGLES #1# HDEKEN	
Plating/Finish		Dr	w.Panis	15-01-97
		Eng	Product family MILLIPICS	
		Chr	Model Name	
		Appr	Model Revision	
		size		A4
		Scale		1.500
		REL Level		ECN
		REL Level		REL Level
	title	MPACS 5+2R RA RCP CONN TYPE AB		Rev. D
Pro/E file	catalog no	HM2R65PA510F----	CUSTOMER	sheet 1 of 1
	dwg no	BS,C ,201418,043		