

1

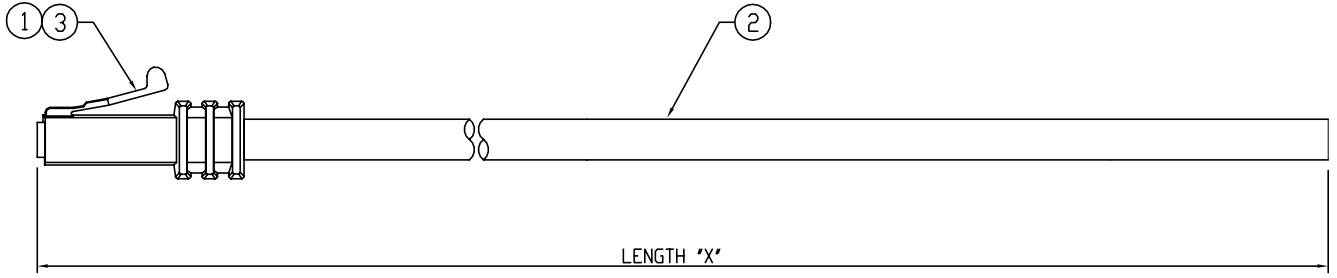
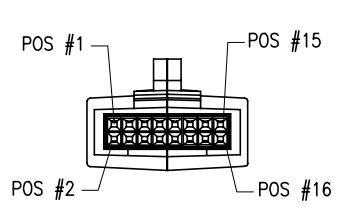
2

3

4

FCI PART NO.	LENGTH "X"
10129118-P0200YYLF	2000±40

REV	CHANGE RECORD
A	FIRST ISSUE
B	CHANGE DRAWING FOMAT



PIN ASSIGNMENT	
P1	PIN COLOR
1	BLACK
2	BROWN
3	RED
4	ORANGE
5	YELLOW
6	GREEN
7	BLUE
8	PURPLE
9	GRAY
10	WHITE
11	PINK
12	RED/WHITE
13	BLACK/WHITE
14	BROWN/WHITE
15	BLUE/BLACK
16	ORANGE/BLACK



Copyright FCI.

spec ref	See Notes	dr	Carl Wang	2014-11-03	projection		size	A3	scale	N/A										
tolerance std	TOLERANCES UNLESS OTHERWISE SPECIFIED	eng	Carl Wang	2014-11-03			ecn no													
		chr	Guo-Feng Jin	2014-11-03																
surface	<table border="1"> <tr> <td>linear</td> <td>0.X</td> <td>±</td> </tr> <tr> <td></td> <td>0.XX</td> <td>±</td> </tr> <tr> <td></td> <td>0.XXX</td> <td>±</td> </tr> <tr> <td>angular</td> <td>0</td> <td>±*</td> </tr> </table>	linear	0.X	±		0.XX	±		0.XXX	±	angular	0	±*	appr	Guo-Feng Jin	2014-11-03	product family	Pwrblade	rel level	
linear		0.X	±																	
		0.XX	±																	
	0.XXX	±																		
angular	0	±*																		



title CABLE: 2X8 LATCH-N-LDK
SINGLE ENDS (R0HS)

dwg no 10129118-P0200YYLF rev B

www.fci.com cat. no. Product - Customer Drw sheet 1 of 2

1

2

3

PDS: Rev :B

STATUS:Released

Printed: Nov 11, 2014

FCI PART NO.

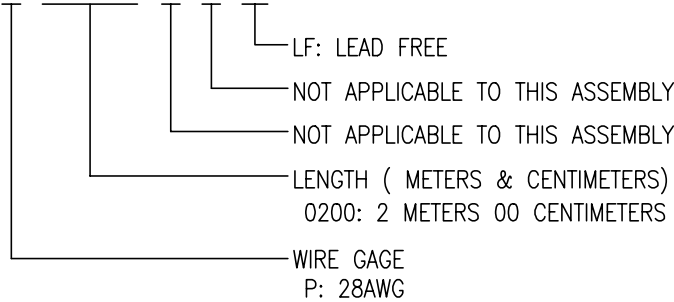
SEE SHEET 1

NOTES:

1. 2x8 LATCH-N-LOK MATES WITH DOUBLE ROW 16 POSITION RECEPTACLE KIT.

2. PART NUMBER SCHEME FOR CABLE ASSEMBLY:

10129118 - P X X X X Y Y LF



8. PACKAGE: EACH CABLE ASSEMBLY IN CLEAR ZIP-LOCK POLY BAG, THEN BULK PACKED IN A BOX.

9. MATERIAL:

3	16	EA	TERMINAL
2	AR	MM	CABLE: UL/CSA, 28AWG*16C BLACK.
1	1	EA	2X8 LATCH-N-LOK SHIELDED PLUG CONNECTOR KIT, BLACK, FCI P/N: 91488-341LF.
ITEM	Q'TY	UNIT	DESCRIPTION

3. ALL CABLE ASSEMBLIES SHALL BE TESTED 100% FOR CONTINUITY AS DEFINED IN WIRING LIST.

4. UNLESS OTHERWISE SPECIFIED ALL CABLE ASSEMBLIES SHALL BE 100% HI-POT TESTED: DC 300V/10ms

5. OTHER ELECTRICAL SPECIFICATIONS:
DIELECTRIC RESISTANCE: 50M Ohms MIN.
CONNECTION RESISTANCE: 2.0 Ohms MAX.

6. LEAD FREE PRODUCTS MEET EUROPEAN UNION DIRECTIVES AND OTHER COUNTRY REGULATIONS AS DESCRIBED IN GS-22-008.

7. CONNECTOR ASSEMBLIES SHOWN ARE FOR REFERENCE ONLY AND MAY NOT SHOWN ALL PART DETAIL, REFERENCE CONNECTOR ASSEMBLY DRAWINGS FOR COMPLETE DETAILS.



Copyright FCI.

spec ref	See Notes			dr	Carl Wang	2014-11-03	projection	MM	size	A3	scale	N/A
tolerance std	TOLERANCES UNLESS OTHERWISE SPECIFIED			eng	Carl Wang	2014-11-03				ecn no		
surface	linear	0.X	±	chr	Guo-Feng Jin	2014-11-03	product family			Pwrblade	rel level	
		0.XX	±	appr	Guo-Feng Jin	2014-11-03						
	angular	0	±*	www.fci.com		cat. no.	Product - Customer Drw		sheet 2 of 2			