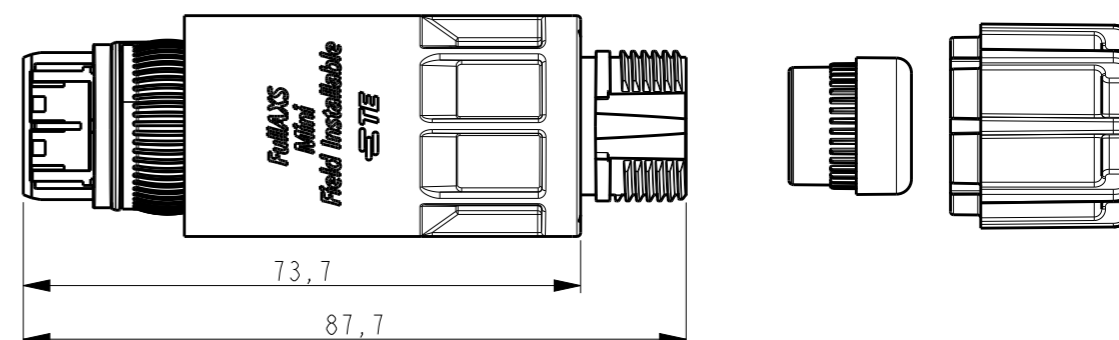
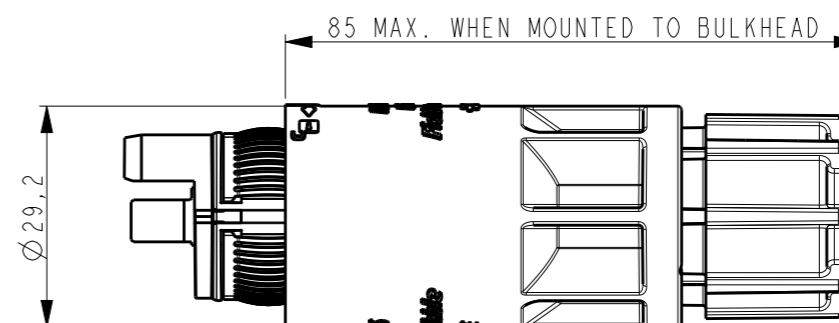
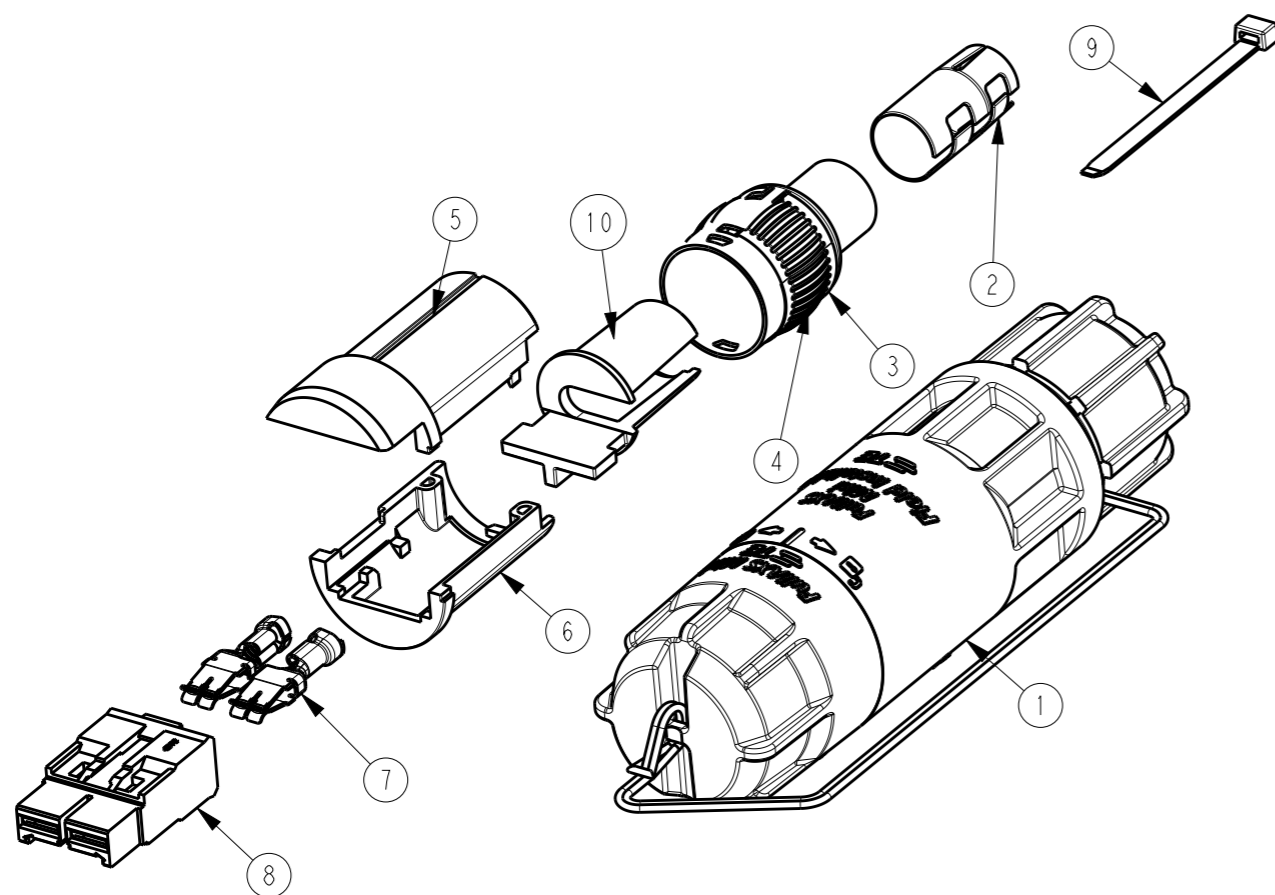


REVISIONS

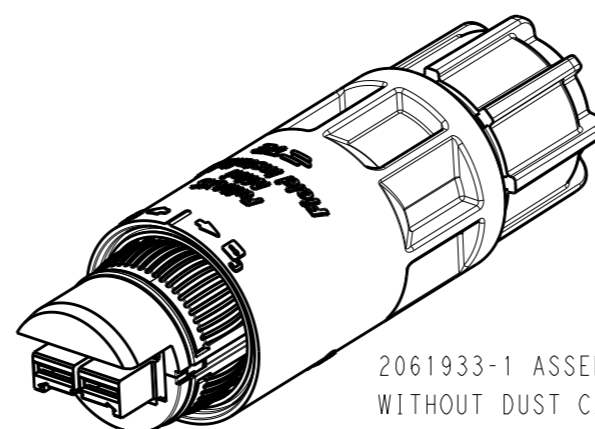
P	LTR	DESCRIPTION	DATE	DWN	APVD
	A	NEW RELEASE	02NOV2016	KZ	RS



TE Part Number	Cable Diameter
2061933-1	7.3 - 9.0 mm

NOTES:

1. THIS FullPOWER FIELD INSTALL ASSEMBLY KIT SHOULD BE USED WITH RUGGEDIZED CABLE AND RUGGED FAN-OUT CONSTRUCTION NO 900 MICRON TERMINATIONS TO BE USED
2. CABLE DIAMETER RANGE: SEE TABLE
3. THE FLAMMABILITY RATING OF THE MATERIAL IS UL94-V0
4. THE MATERIAL IS HALOGEN FREE ACCORDING IEC 60754-2
5. AN INSTRUCTION SHEET IS PACKED WITH EACH FIELD INSTALL KIT



2061933-1 ASSEMBLED WITHOUT DUST CAP

10	Spacer	1
9	Cable Tie	1
8	FullPOWER ET Power Housing	1
7	FullPOWER ET Power Timer Contact	3
6	FullPOWER Alignment Adapter Bottom	1
5	FullPOWER Alignment Adapter Top	1
4	FullPOWER Outer Ferrule	1
3	FullPOWER Ferrule spring	1
2	FullPOWER Inner Ferrule	1
1	FullPOWER MINI Field Install Sub-Assembly	1
Item	Description	Qty

THIS DRAWING IS A CONTROLLED DOCUMENT.

DIMENSIONS:	TOLERANCES UNLESS OTHERWISE SPECIFIED:
mm	
	0 PLC ±0,2
	1 PLC ±0,1
	2 PLC ±0,05
	3 PLC ±0,025
	4 PLC ±0,005
	ANGLES ±2°
MATERIAL	FINISH
-	-
-	-

DWN	R. COOLEN	09FEB2015
CHK	-	-
APVD	S. BORGAS	-
PRODUCT SPEC	-	-
APPLICATION SPEC	-	-
WEIGHT	-	-
CUSTOMER DRAWING		



FullPOWER MINI FIELD INSTALL ASSEMBLY KIT

NAME	FullPOWER MINI FIELD INSTALL ASSEMBLY KIT
SIZE	A3
CAGE CODE	-
DRAWING NO	©-2061933
RESTRICTED TO	-
SCALE	1:1
SHEET	1 OF 1
REV	A