

D

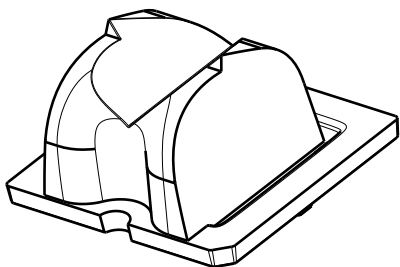
C

B

A

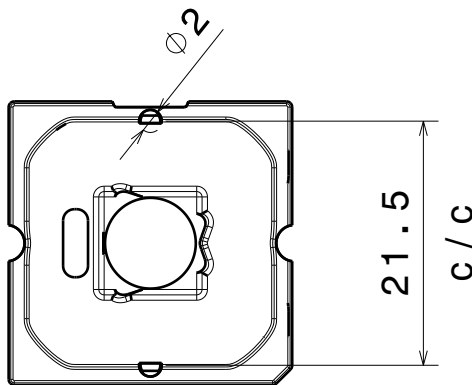
4

4



Isometric view

Bottom view

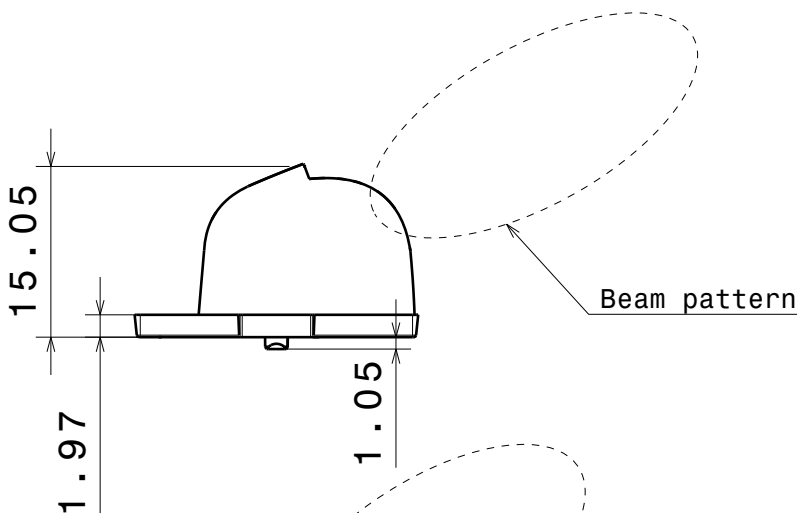


21.5
C/C

3

3

Front view



15.05

1.97

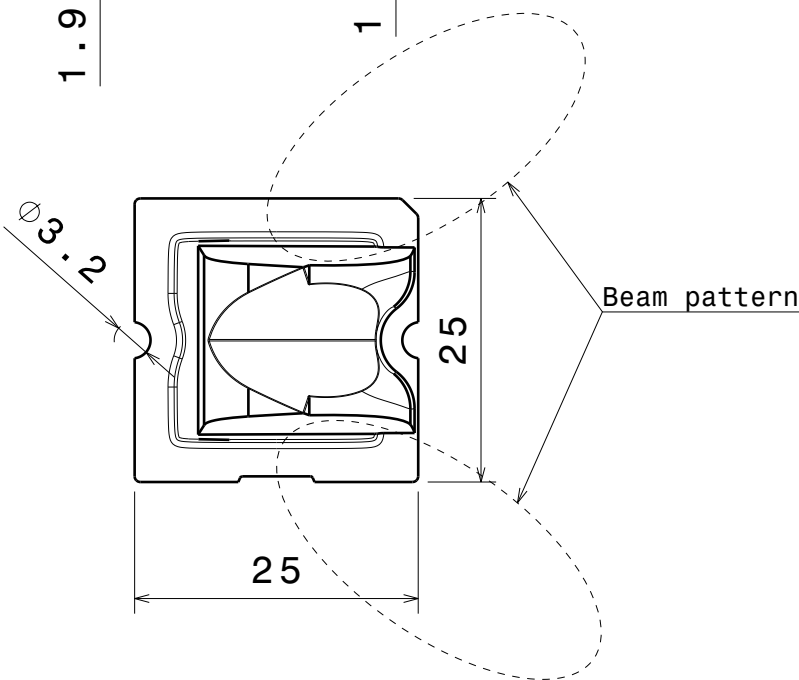
1.05

Beam pattern

2

2

Top view



3.2

25

25

Beam pattern

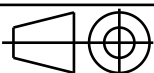
INDEX	PART NO	DESCRIPTION	MATERIAL	COLOUR
1	C13751	STRADA-SQ-FW	PMMA	

Tolerances if not otherwise shown
 According to DIN ISO 2768-1
 Linear measures:
 up to 30mm class M, otherwise class C
 According to DIN ISO 2768-2
 Form and position: class L



Ledil Oy
 Salorankatu 10
 FIN 24240 SALO
 Finland

THIRD ANGLE PROJECTION:



DRAWING TITLE

C13751_STRADA-SQ-FW

This drawing is the property
 of LEDiL Oy. It may not be
 reproduced, copied or
 communicated without a written
 agreement with LEDiL Oy.

SIZE PART NUMBER

A4

C13751

SCALE 3:2 WEIGHT 3,28 g SHEET 1/1

D

A

1

1