

# Power Cord Retainers

## specifications

Plug retention devices shall reduce the risk of equipment downtime due to accidental plug disconnection from Panduit POU's that embody a 2.00" or 2.25" width chassis. These retention devices shall be compatible with IEC 320 C13/C14 and IEC 320 C19/C20 outlet connectors and plug models for Panduit power cords. These devices shall be manufactured from steel wire, engage the POU chassis in the designated holes on either side of the chassis body, and contain features that prevent accidental insertion into an energized power outlet.



## technical information

<b>Material:</b>	0.06" diameter steel wire
<b>Halogen free:</b>	Yes
<b>RoHS compliant:</b>	Yes

## key features and benefits

<b>Steel wire material</b>	Ensures durable product suitable to retain power cords and prevent accidental disengagement
<b>Leading-edge design</b>	Enables application over plug once ends are inserted into POU chassis
<b>End loops</b>	Prevents accidental insertion into energized outlet
<b>Doubled-back top design</b>	Provides flexibility and compatibility with various power cords
<b>Compact width</b>	Allows for installation even when two POU's are installed beside each other

## applications

The plug retention devices are designed to retain the Panduit IEC power cords in 2.00" and 2.25" Panduit POU chassis. These retention devices help manage risk in data

centers by enabling safe and secure power connections for greater reliability of the physical infrastructure.

### Power Cord Wire Retainers

<b>C13 for 2.00"</b> <b>POU body:</b>	PRPC13W-2.0-X
<b>C13 for 2.25"</b> <b>POU body:</b>	PRPC13W-2.25-X
<b>C19 for 2.00"</b> <b>POU body:</b>	PRPC19Y-2.0-X
<b>C19 for 2.25"</b> <b>POU body:</b>	PRPC19Y-2.25-X

### Related Products

#### Power Cords

<b>IEC 320 C14 to</b> <b>IEC 320 C13:</b>	PC14C13BL1.5*
<b>IEC 320 C20 to</b> <b>IEC 320 C13:</b>	PC20C13BL1.5*^
<b>IEC 320 C20 to</b> <b>IEC 320 C19:</b>	PC20C19BL3‡

\*For gray power cords, replace BL with GY. For alternate cord length options, replace 1.5 (feet) with 2, 3, 4, 5, 6.5, 7, 8, 9, or 10.

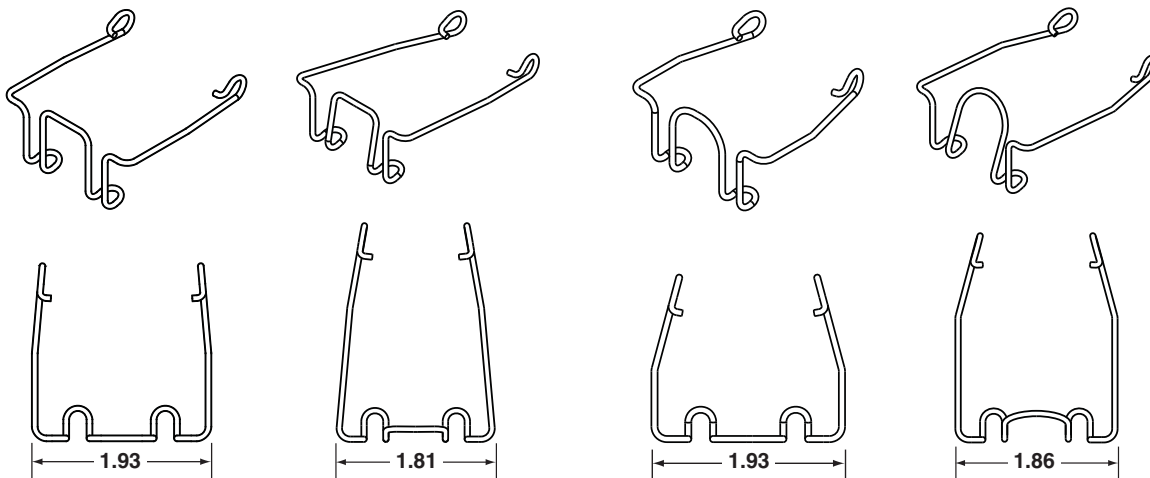
^Above power cords available in black only. For alternate cord length options, replace 1.5 (feet) with 3 or 6.

‡For gray power cords, replace BL with GY. For alternate cord length options, replace 3 (feet) with 4, 5, 6, or 8.

# Power Cord Retainers

## 2.00" POU RETAINERS

## 2.25" POU RETAINERS



PRPC13W-2.0

PRPC19Y-2.0

PRPC13W-2.25

PRPC19Y-2.25

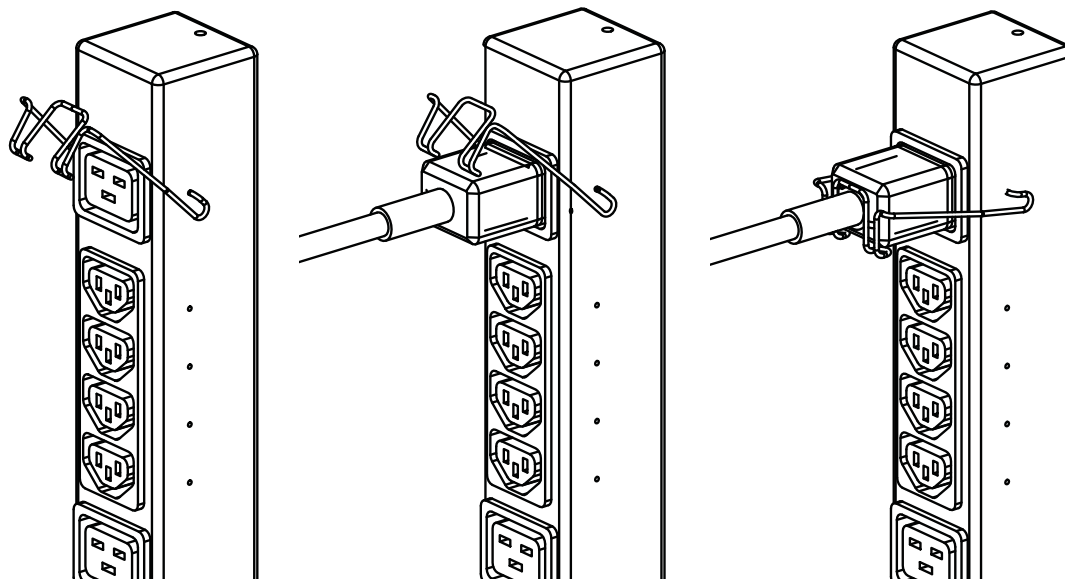


Figure shows PRPC19Y-2.0 installation on 2.00" POU

### WORLDWIDE SUBSIDIARIES AND SALES OFFICES

PANDUIT CANADA  
Markham, Ontario  
cs-cdn@panduit.com  
Phone: 800.777.3300

PANDUIT EUROPE LTD.  
London, UK  
cs-emea@panduit.com  
Phone: 44.20.8601.7200

PANDUIT SINGAPORE PTE. LTD.  
Republic of Singapore  
cs-ap@panduit.com  
Phone: 65.6305.7575

PANDUIT JAPAN  
Tokyo, Japan  
cs-japan@panduit.com  
Phone: 81.3.6863.6000

PANDUIT LATIN AMERICA  
Guadalajara, Mexico  
cs-la@panduit.com  
Phone: 52.33.3777.6000

PANDUIT AUSTRALIA PTY. LTD.  
Victoria, Australia  
cs-aus@panduit.com  
Phone: 61.3.9794.9020

For a copy of Panduit product warranties, log on to [www.panduit.com/warranty](http://www.panduit.com/warranty)

For more information

Visit us at [www.panduit.com](http://www.panduit.com)

Contact Customer Service by email: [cs@panduit.com](mailto:cs@panduit.com)  
or by phone: 800.777.3300

**PANDUIT**<sup>®</sup>

©2013 Panduit Corp.  
ALL RIGHTS RESERVED.  
PVSP88--WW-ENG  
2/2013