



**MICRO SWITCH**  
 FREEPORT ILLINOIS  
 A DIVISION OF HONEYWELL  
 FED. MFG. CODE 91929

# SWITCH-BASIC

CATALOG LISTING

## V3-1002

MILITARY STDS PART NO.  
 MS 25253-3

### CK-L0200

V3-1002

M

DRAWING NUMBER

810

X 8

ISSUE

8

REPLACES

RELEASE NO. SR 10661

CHECK

7, DEC 62

BRI

CHECK

7, DEC 62

DAW

CHECK

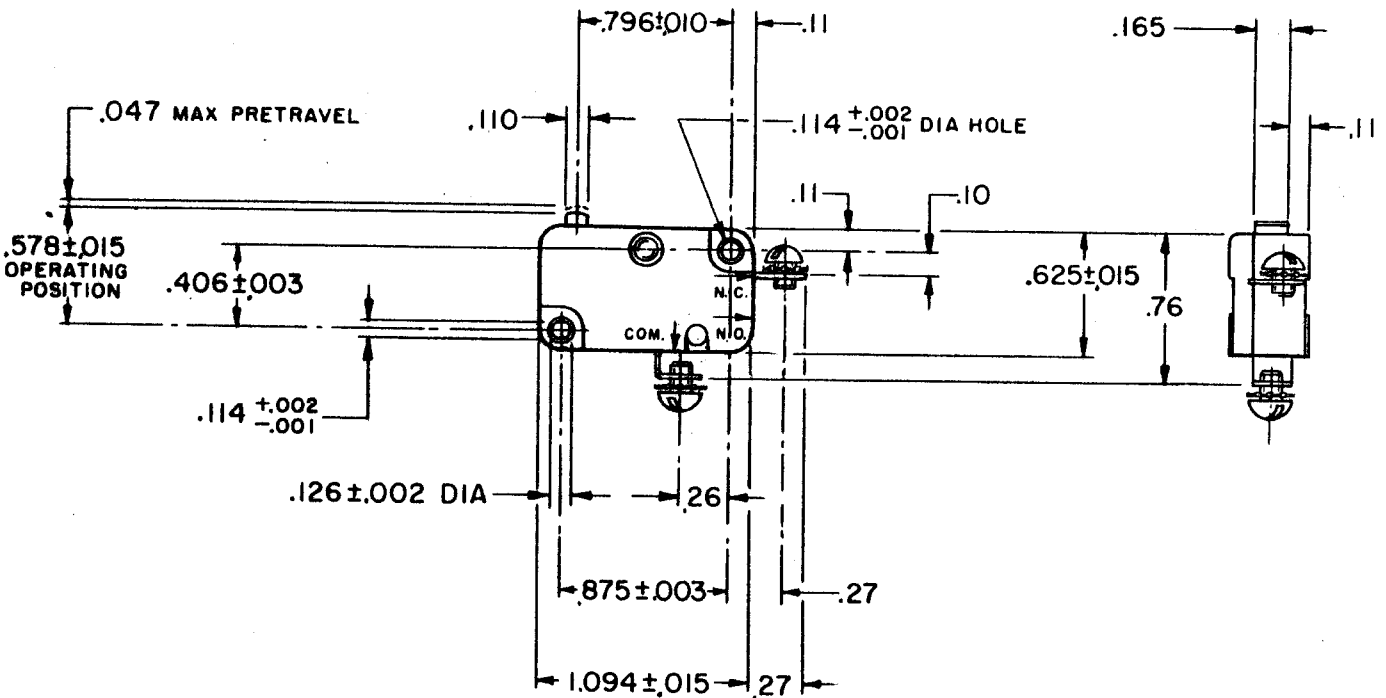
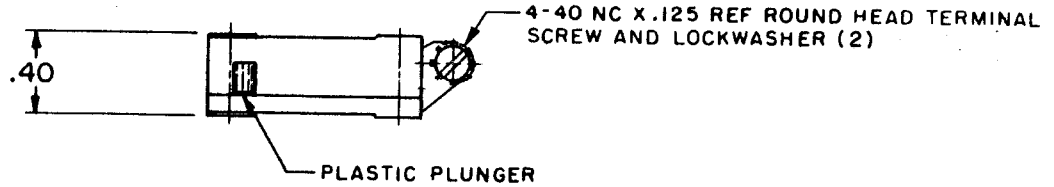
6, DEC 62

LMH

DRAWN

6, DEC 62

FO-50378



**NOTES**

- 1 - MARK "MS-25253-3" AND SOURCE CODE "91929" ON SWITCH AND LABEL OF PACKING BOX
- 2 - MARK SWITCH WITH CATALOG LISTING AND DATE CODE

THIS DRAWING COVERS A PROPRIETARY ITEM AND IS THE PROPERTY OF MICRO SWITCH, A DIVISION OF MINNEAPOLIS-HONEYWELL REGULATOR CO. THIS DRAWING IS NOT TO BE COPIED OR USED WITHOUT THE APPROVAL OF MICRO SWITCH.

CHARACTERISTICS	
OPERATING FORCE-----	6-14 OZ
RELEASE FORCE-----	4 OZ MIN
DIFFERENTIAL TRAVEL---	.006-.016
OVERTRAVEL-----	.040 MIN
FREE POSITION-----	.625 MAX
RELEASE TRAVEL-----	.010 MIN

**ELECTRICAL DATA**

CONTACT ARRANGEMENT  
 S P N C

**SCALE FULL**

DO NOT SCALE PRINT

UNLESS OTHERWISE SPECIFIED DIMENSIONS ARE IN INCHES  
**TOLERANCES ARE:**

ONE PLACE	(.0)	±.030
TWO PLACE	(.00)	±.015
THREE PLACE	(.000)	±.005
ANGLES		±

WEIGHT 8.3 GRAMS