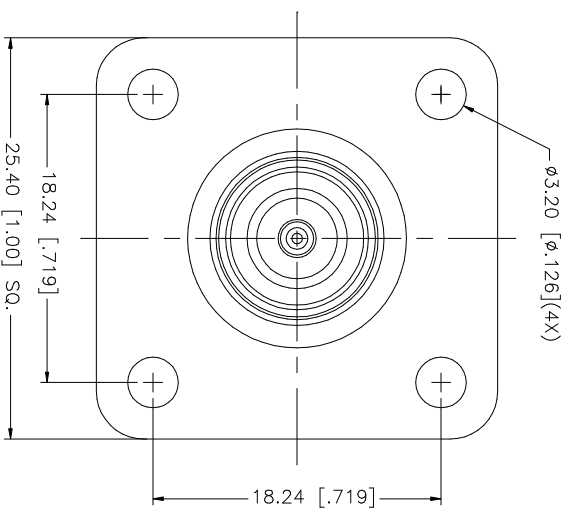
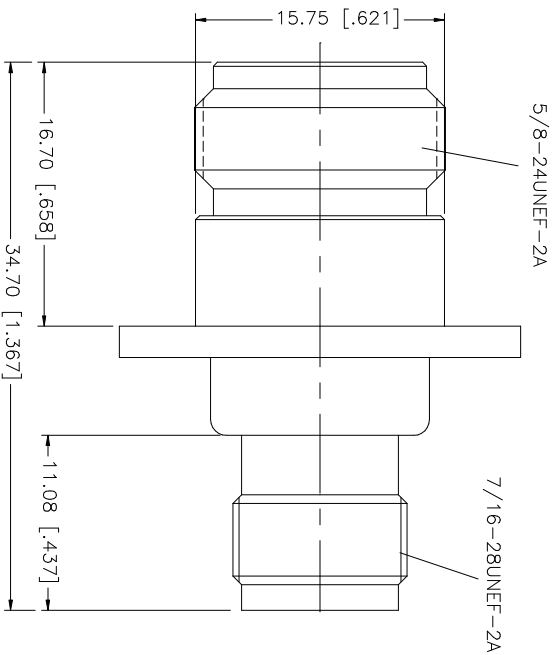
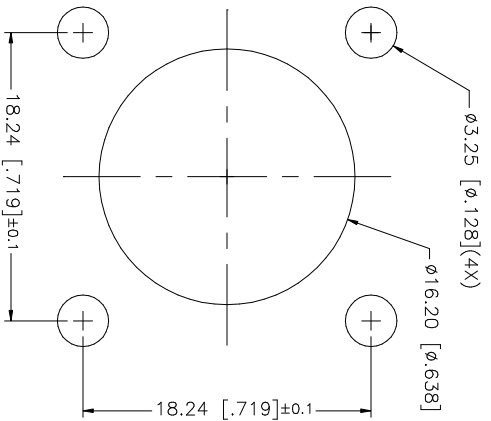


REV.	DATE	DESCRIPTION
NC	09/29/05	INITIAL RELEASE



NO.	DESCRIPTION	MATERIAL	FINISH	QTY	DO NOT SCALE DRAWING	UNLESS OTHERWISE SPECIFIED DIMENSIONS ARE IN MILLIMETERS. DIMENSIONS IN [] ARE IN INCHES AND FOR CUSTOMER REFERENCE ONLY. TOLERANCES FOR MILLIMETERS ARE: 0.5 - 8mm ± 0.20mm 8 - 30mm ± 0.40mm 30 - 120mm ± 0.50mm	UNLESS OTHERWISE SPECIFIED DIMENSIONS ARE IN MILLIMETERS. DIMENSIONS IN [] ARE IN INCHES AND FOR CUSTOMER REFERENCE ONLY. TOLERANCES FOR MILLIMETERS ARE: 0.5 - 8mm ± 0.20mm 8 - 30mm ± 0.40mm 30 - 120mm ± 0.50mm
8							
7							
6							
5							
4	CONTACT PIN	BERL COPPER	GOLD	1			
3	INSULATOR	TEFLON	NATURAL	1			
2	BODY W/PANEL	BRASS	NICKEL	1			
1	DESCRIPTION						

Amphenol Connex

PART DESCRIPTION
N JACK TO TNC JACK ADAPTER

PART NO. **242222**

CAD FILE C:/242/242222.DWG DWG. NO. 242222.DWG REV. NC SIZE A SCALE NA

APPROVALS	DATE
DRAWN G.R.S.	09/29/05
CHECKED	
ISSUED	
SHEET 1 OF 1	