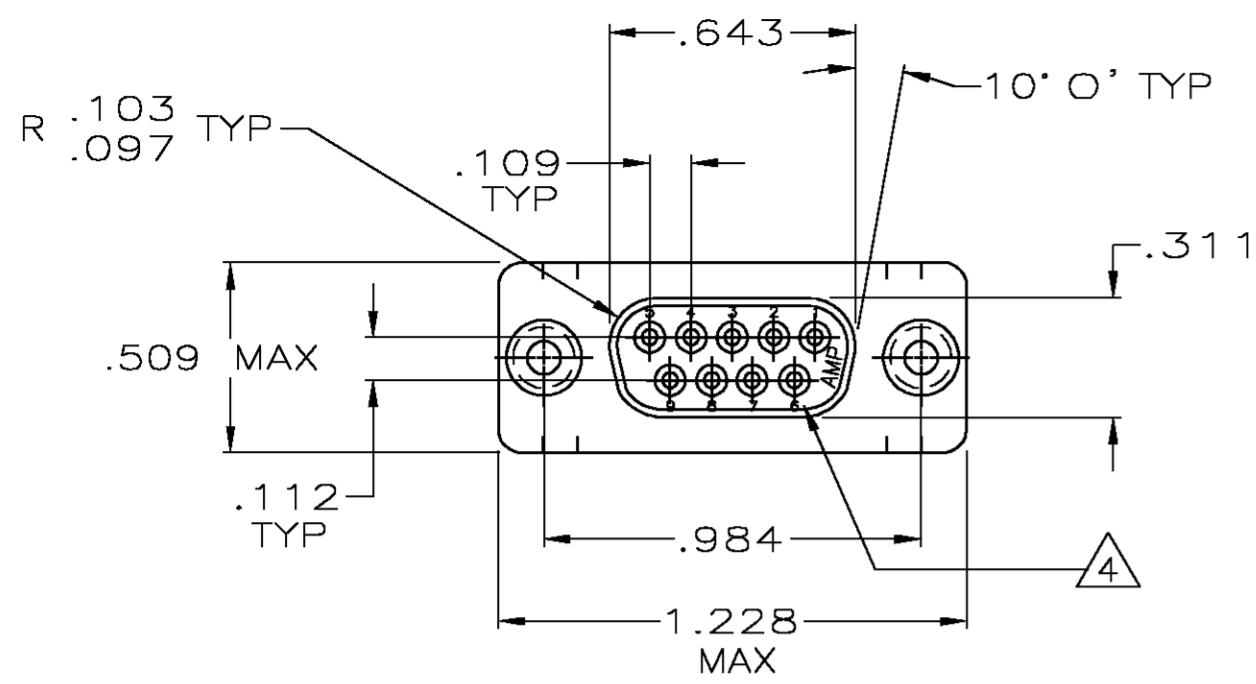
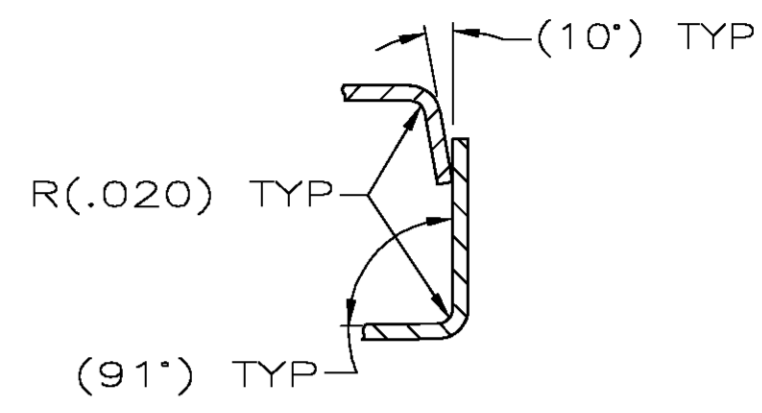


THIS DRAWING IS UNPUBLISHED. RELEASED FOR PUBLICATION
 © COPYRIGHT BY TYCO ELECTRONICS CORPORATION. ALL RIGHTS RESERVED.

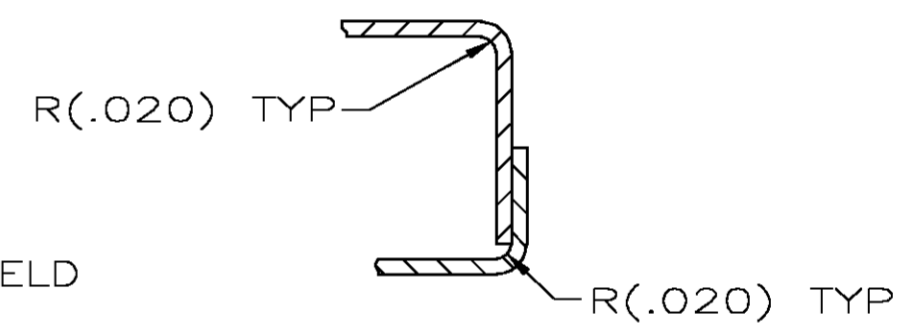
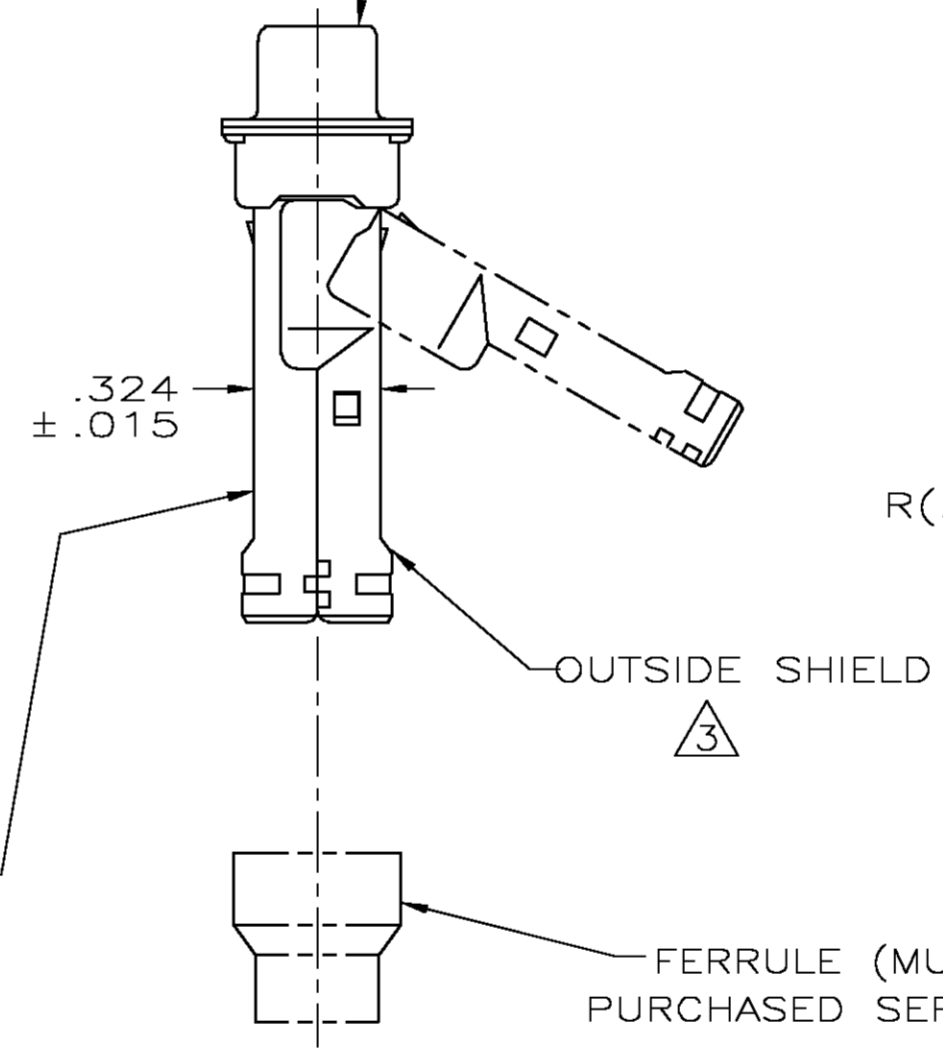
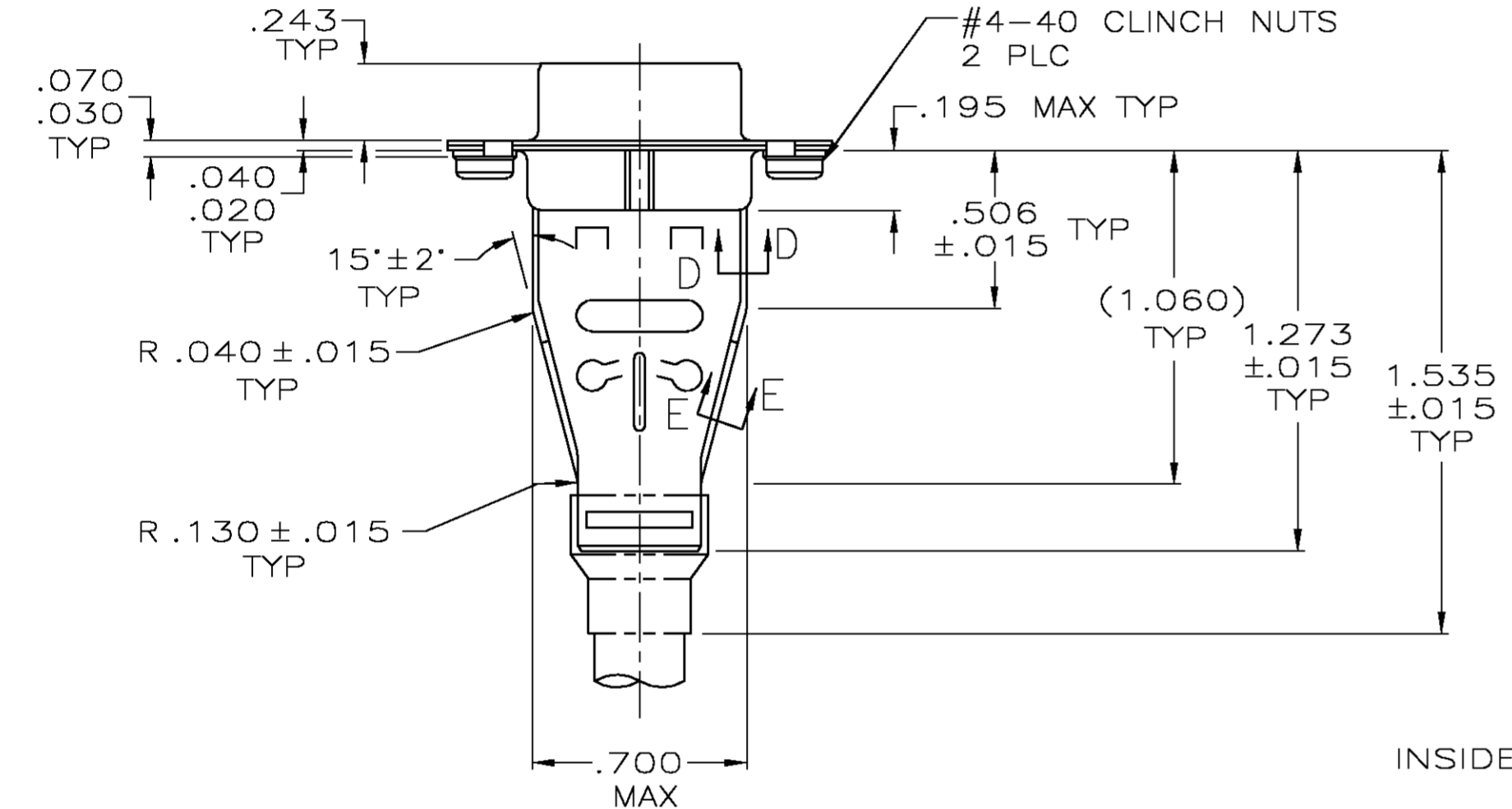
LOC	DIST	REVISIONS					
GP	00	P	LTR	DESCRIPTION	DATE	DWN	APVD
		0		RELEASED PER EC 0S13-0257-04	11-11-04	GA	JG



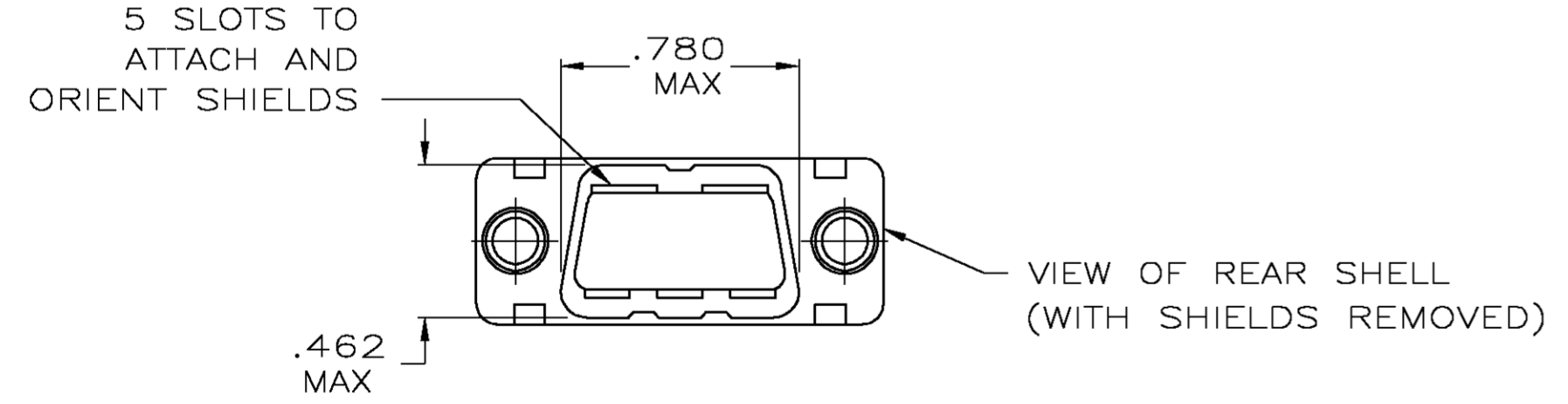
RECEPTACLE CONNECTOR ¹
 INSERTS: BLACK GLASS-FILLED NYLON,
 94V-0 RATED
 SHELLS: STEEL PER ASTM A109
 .000200 MIN TIN PLATE OVER
 .000100 MIN COPPER UNDERPLATE



SECTION D-D
 SCALE 4:1



SECTION E-E
 SCALE 4:1



¹ RECEPTACLE ACCEPTS SIZE 20 SOCKET CONTACTS
 (CONTACTS MUST BE ORDERED SEPARATELY)

2 ALL PARTS SHIPPED UNASSEMBLED, EACH PART INDIVIDUALLY
 BULK PACKED.

³ SHIELDS: MATERIAL—.020 THICK STEEL, .000200 MIN TIN
 PLATE OVER .000100 MIN COPPER UNDERPLATE.

⁴ RAISED CAVITY IDENTIFICATION AND AMP TRADEMARK.

5748536-1
 PART NUMBER

THIS DRAWING IS A CONTROLLED DOCUMENT.		DWN G. ATTADIA - DOCK5 11-11-04	Tyco Electronics Corporation	
		CHK J. GERACE 11-11-04	Harrisburg, PA 17105-3608	
		APVD M. WALMSLEY 11-11-04	NAME	
DIMENSIONS: INCHES		PRODUCT SPEC 108-40005 & 108-40030	KIT, RCPT, SHIELDING HARDWARE, 9 POSN, SIZE 1, W/CLINCH NUTS, AMPLIMITE HDP-20	
TOLERANCES UNLESS OTHERWISE SPECIFIED:		APPLICATION SPEC 114-40030	SIZE A2	CAGE CODE 00779
0 PLC ± -		WEIGHT -	DRAWING NO C=5748536	RESTRICTED TO -
1 PLC ± -		CUSTOMER DRAWING		
2 PLC ± -		SCALE 2:1		
3 PLC ± .005		SHEET 1 OF 1		
4 PLC ± -		REV 0		
ANGLES ± 0° 30'				
FINISH				
SEE CALL OUT ³				