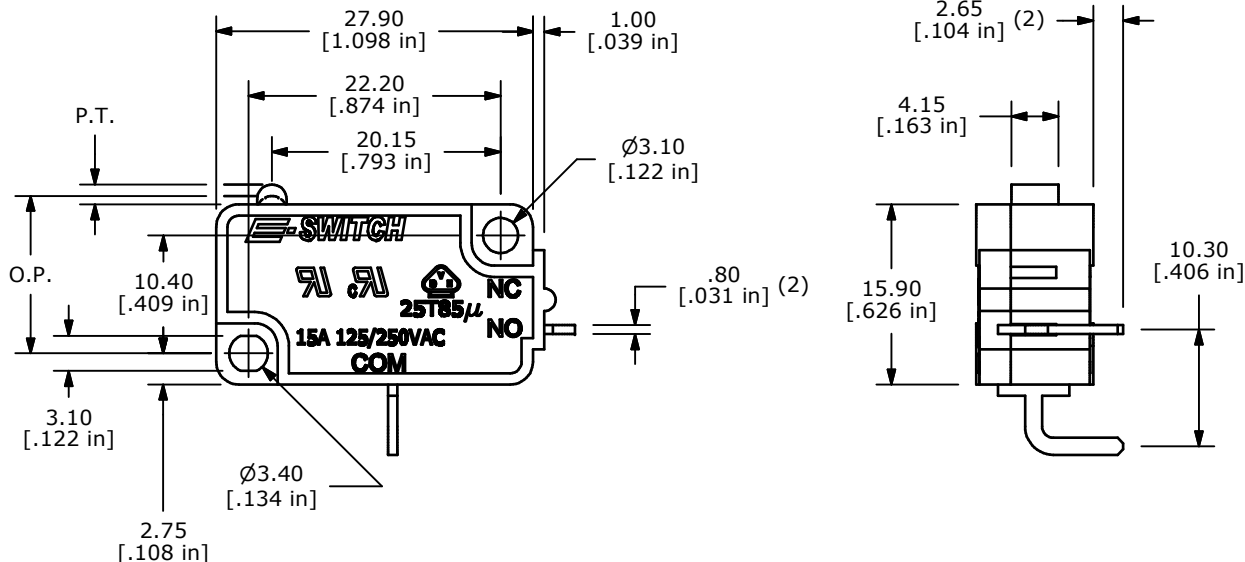
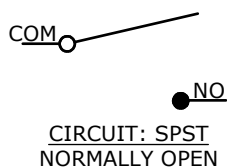


ISOMETRIC

O.P. (MM)	P.T. (MM)
14.7 ± 0.5	2.0 MAX.

O.P. = OPERATING POINT
P.T. = PRE-TRAVEL



- NOTES:
- ALL DIMENSIONS IN MM [INCH]
 - GENERAL TOLERANCE: X.X ± 0.4
X.XX ± 0.25
 - RATING: 15A @125/250VAC UL, CUL, VDE APPROVED
 - OPERATING FORCE: 160 ± 40 GRAMS
 - OPERATING TEMP: -25°C TO 85°C
 - ELECTRICAL LIFE: 50,000 CYCLES MIN.
 - MECHANICAL LIFE: 1,000,000 CYCLES TYP.
 - INSULATION RESISTANCE: 100 MEGA-OHMS MIN.
 - DIELECTRIC STRENGTH: 1500VAC 1 MINUTE (INITIAL VALUE)
 - CONTACT RESISTANCE: 100 MILLI -OHMS MAX.
 - DATE CODE TO BE STAMPED: Y=YEAR/WK=WEEK
 - ▲ DENOTES CRITICAL PARAMETER.
 - 2002/95/EC (ROHS) COMPLIANT



TITLE LS0851500F160V1C				
SCALE	DATE	DR	DWG	REV
1.5:1	10/28/2008	BLR	Q950062	A

A	18283	RELEASE FOR PRODUCTION	10/28/08	BLR
REV	PCR NO	DESCRIPTION	DATE	BY
THE INFORMATION CONTAINED IN THIS DOCUMENT IS PROPRIETARY TO E-SWITCH AND IS NOT TO BE COPIED OR TRANSFERRED				