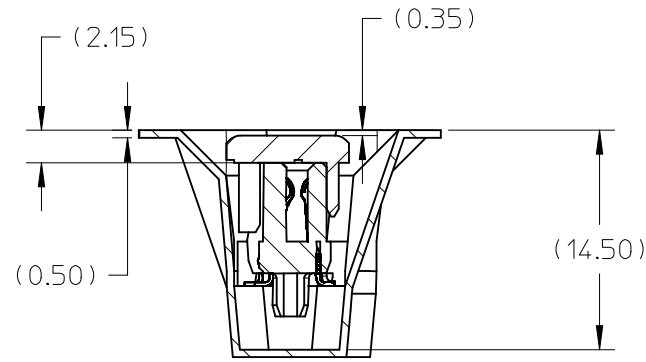
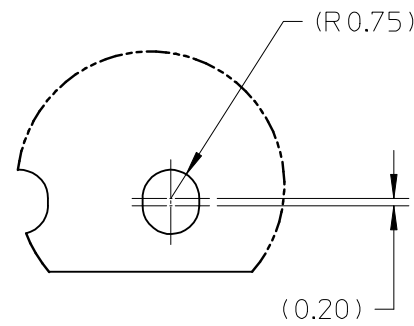


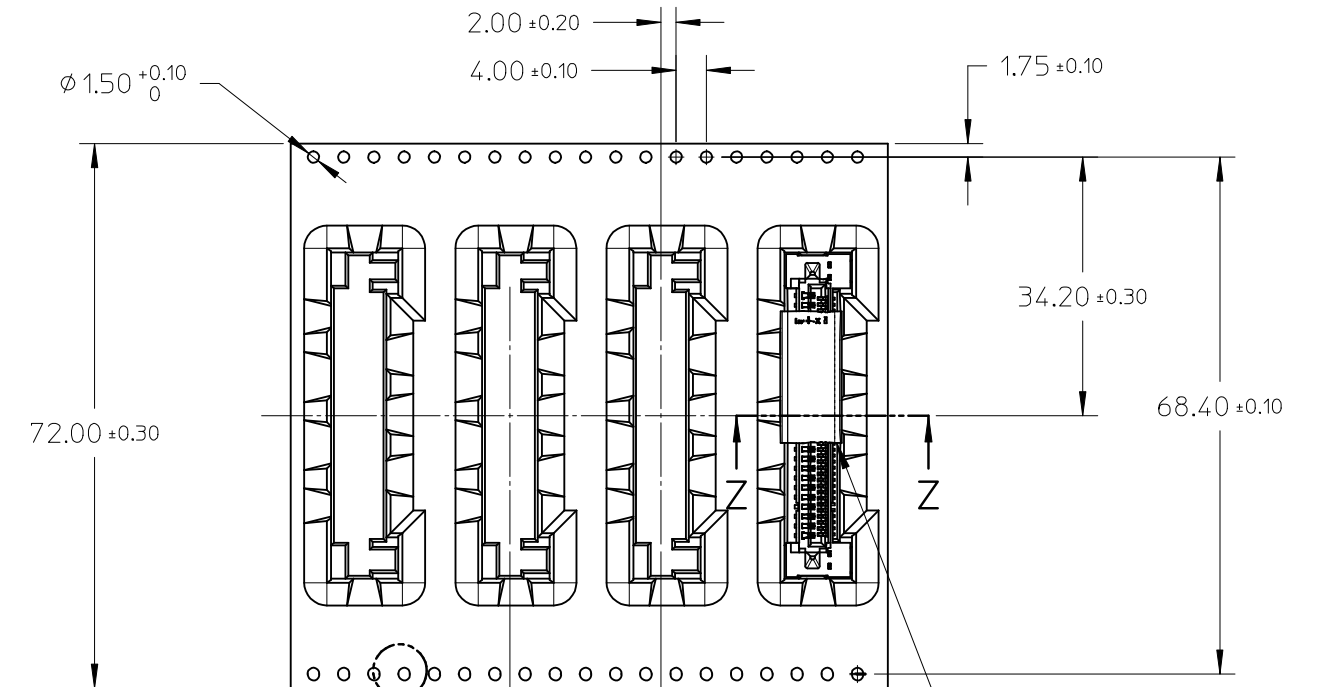
EMBOSSED TAPE PART NO	ASSEMBLY PART NO	QUANTITY/ REEL	REELS/ CARTON
78888-2045	78757-0001	200	2 REELS
	78757-0003		
	78757-0004		
	78757-0006		
	151137-0001		



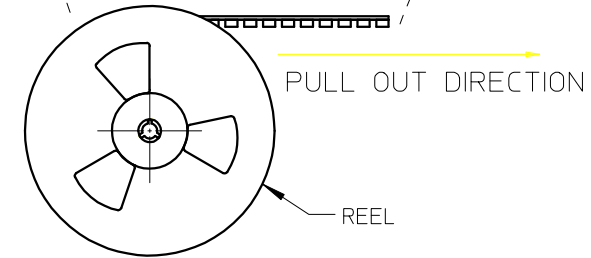
SECTION Z-Z



DETAIL1

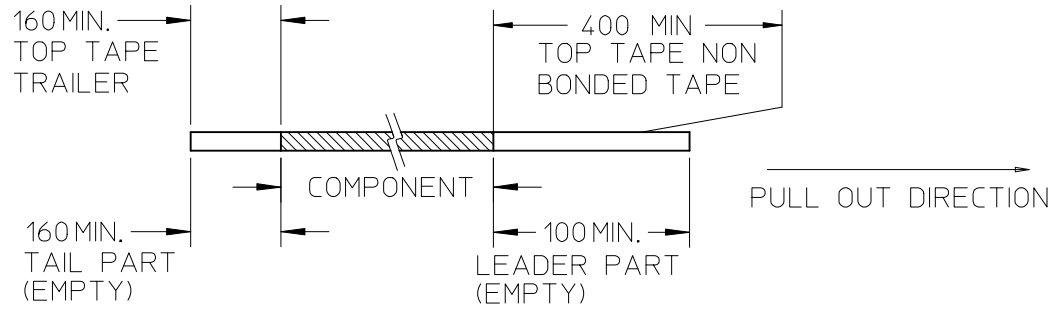


DETAIL1

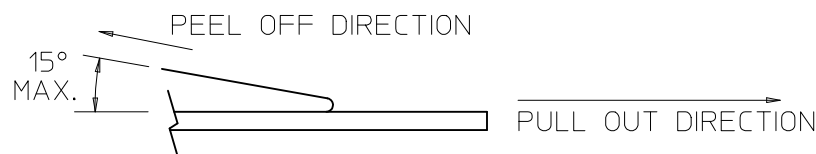


NOTES:

1. LEADER AND TRAILER TAPE

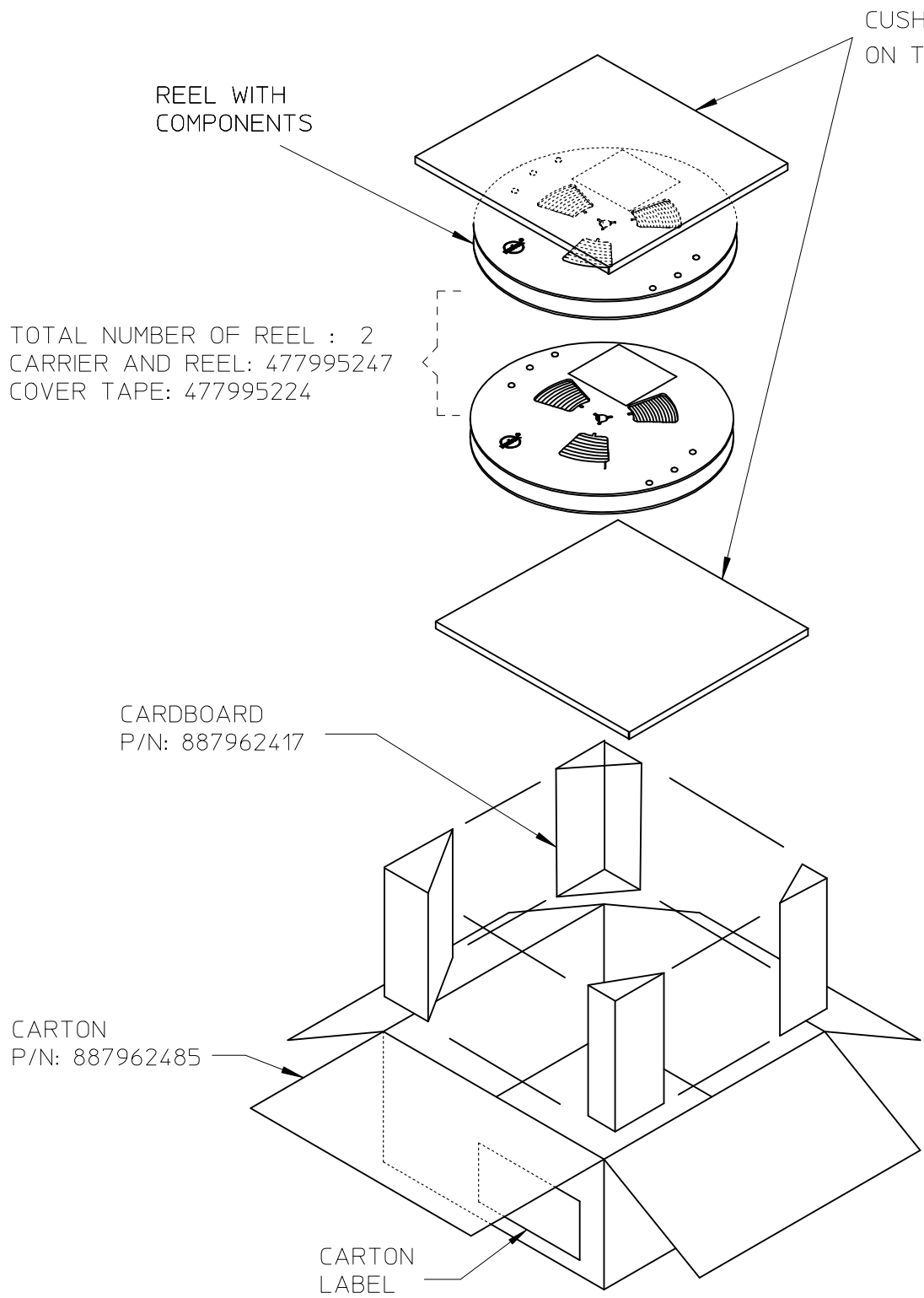


2. PEELING OFF FORCE OF THE TOP TAPE: 10 - 150gf.
(PEELING DIRECTION AS SHOWN IN FOLLOWING FIGURE)



- TAPE AND REEL SPECIFICATION IS AS PER EIA-481.
- TAPE AND REEL QUANTITY : 200 PCS/ REEL.
- THE TAPE IS TREATED FOR ANTI-STATIC.
- PARTS TO BE PACKED AND ORIENTATED AS PER DETAIL SHOWN.
- CLOSE CARTON WITH TAPE.
- ORIENTATION OF THE CONNECTOR IN ALL OTHER PRODUCTS ARE SAME AS THE SHOWN.

REV	DESCRIPTION	QUALITY SYMBOLS	GENERAL TOLERANCES (UNLESS SPECIFIED)		DIMENSION STYLE	SCALE	DESIGN UNITS	THIRD ANGLE PROJECTION
			mm	INCH	MM ONLY	NTS	METRIC	
A	SEE SHT 2 EC NO: S2016-0930 DRWN: CWANG25 CHKD: HGOH APPR: SHONG	$\nabla_A = 0$ $\nabla_C = 0$ $\nabla_P = 0$	4 PLACES	± ---	± ---	DRAWN BY CGOH	DATE 2012/10/04	TITLE PACKAGING SPECIFICATION FOR 78757 (TAPE & REEL) SAS/PCIE RECEPTACLE molex DOCUMENT NO. PK-78757-001 SHEET NO. 1 OF 2
			3 PLACES	± ---	± ---	CHECKED BY GMENARLY	DATE 2012/10/17	
			2 PLACES	± ---	± ---	APPROVED BY BOKOK	DATE 2012/10/17	
			1 PLACE	± ---	± ---	MATERIAL NO.	SEE TABLE	
			0 PLACE	± ---	± ---	SIZE A3	THIS DRAWING CONTAINS INFORMATION THAT IS PROPRIETARY TO MOLEX INCORPORATED AND SHOULD NOT BE USED WITHOUT WRITTEN PERMISSION	
			ANGULAR ± - °		DRAFT WHERE APPLICABLE MUST REMAIN WITHIN DIMENSIONS			



REVISE/ADD PKG COMPONENT P/N EC NO: S2016-0930 DRWN: CWANG25 2016/04/08 CHKD: HCGOH 2016/04/15 APPR: SHONG 2016/04/15	QUALITY SYMBOLS	GENERAL TOLERANCES (UNLESS SPECIFIED)		DIMENSION STYLE	SCALE	DESIGN UNITS	THIRD ANGLE PROJECTION		
	$F_A=0$	mm	INCH	MM ONLY	NTS	METRIC			
	$F_E=0$	4 PLACES ± ---	± ---	DRAWN BY	DATE	TITLE			
	$F_P=0$	3 PLACES ± ---	± ---	CGOH	2012/10/04	PACKAGING SPECIFICATION FOR 78757 (TAPE & REEL) SAS/PCIE RECEPTACLE			
	2 PLACES ± ---	± ---	CHECKED BY	DATE					
	1 PLACE ± ---	± ---	GMENARLY	2012/10/17					
	0 PLACE ± ---	± ---	APPROVED BY	DATE	DOCUMENT NO.				
			BOKOK	2012/10/17	PK-78757-001				
		ANGULAR ± - °	MATERIAL NO.		SHEET NO.				
		DRAFT WHERE APPLICABLE MUST REMAIN WITHIN DIMENSIONS	SEE TABLE		2 OF 2				
			SIZE A3	THIS DRAWING CONTAINS INFORMATION THAT IS PROPRIETARY TO MOLEX INCORPORATED AND SHOULD NOT BE USED WITHOUT WRITTEN PERMISSION					