

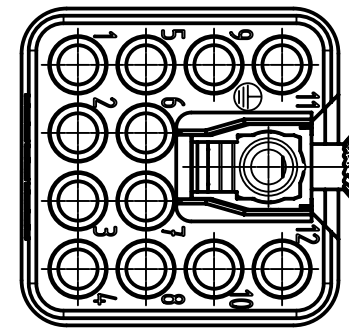
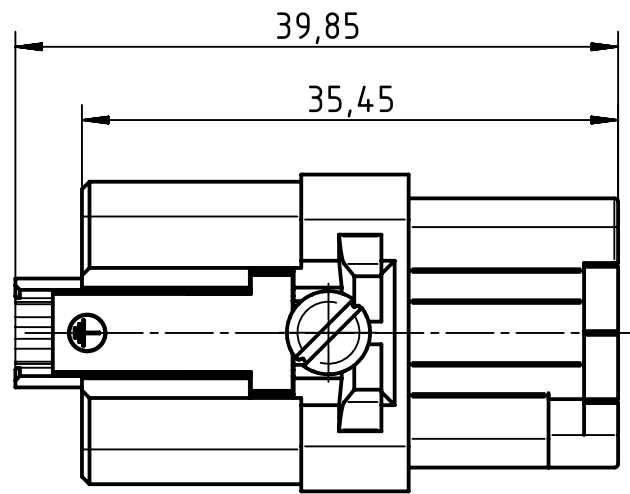
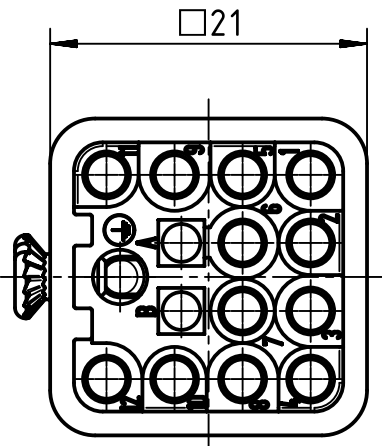
1                      2                      3                      4                      5                      6

A

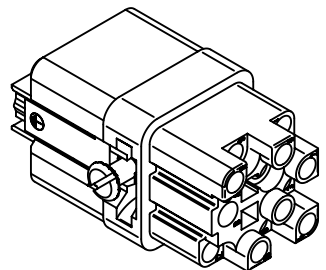
B

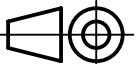

C

D



enclosed separately



|   |   |  |  |                          |                             |  |                        |
|---|---|--|--|--------------------------|-----------------------------|--|------------------------|
|  | All Dimensions in mm<br>Original Size DIN A4        |  | Scale<br>2:1   | Free size tol.           |                             | Ref.   |                        |
|   |   |  |  |                          |                             | Sub.   |                        |
|  | All rights reserved<br>Department EL PD - DE        |  | Created by<br>FINKEV   | Inspected by<br>BERGHORN | Standardisation<br>TIEMANNA | Date<br>2015-06-23                                       | State<br>Final Release |
|   | HARTING Electric GmbH & Co. KG<br>D-32339 Espelkamp |  | Title<br>PLASTIC INSERT Han Q 12/0 FEMALE 1,5mm <sup>2</sup> |                          |                             | Doc-Key / ECM-Nr.<br>100216021/UGD/002/C<br>500000089309 |                        |
|   |   |  | Type<br>TB   | Number<br>09 12 012 3104 |                             | Rev.<br>C  | Page<br>1/1            |