

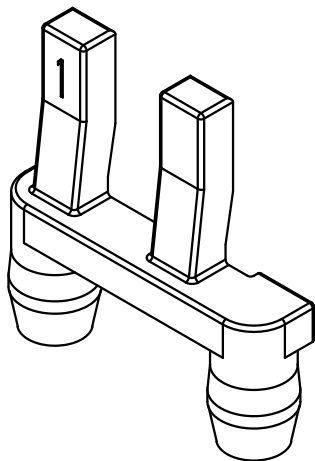
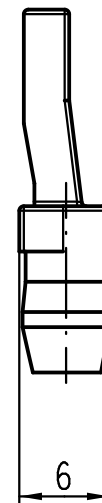
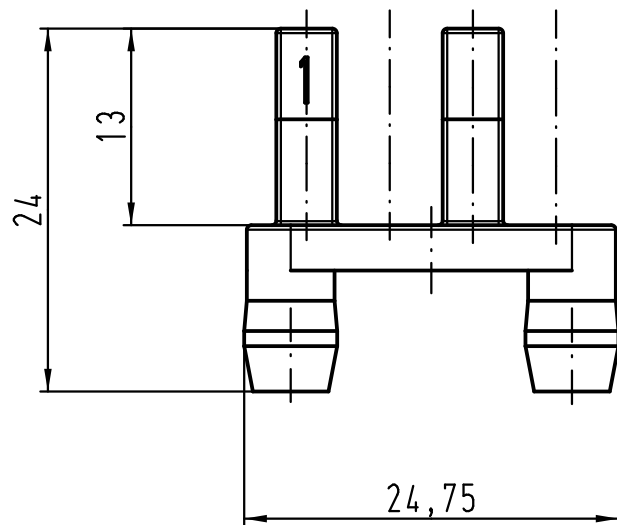
1 2 3 4 5 6

A

B

C

D



Kodiermöglichkeiten nach TB 09 14 000 9970
coding possibilities acc. to TB 09 14 000 9970

| | | | | | | | |
|---|----------|-------------------|--------------------------------|----------|---|---|------|
| All Dimensions in mm Original Size DIN A 4 | | Techn. Character. | | | Nicht tolerierte Maße/ Free size tolerances | | |
| | | | Dat. | Name | Maßstab/ Scale 2:1 | Kodierelement 1 rot coding element 1 red | |
| | | | Detail. | 06.09.10 | | | Rull |
| | | | Insp. | | | | Sch |
| | | | Stand. | | | | |
| B | 13.04.11 | Rull | HARTING Electric GmbH & Co. KG | | | TB 09 14 000 9971 | |
| A | | | D-32339 Espelkamp | | | | |
| Mod. | Dat. | Name | | | | Blatt/ page / | |
| | | | | | | Sub. | |