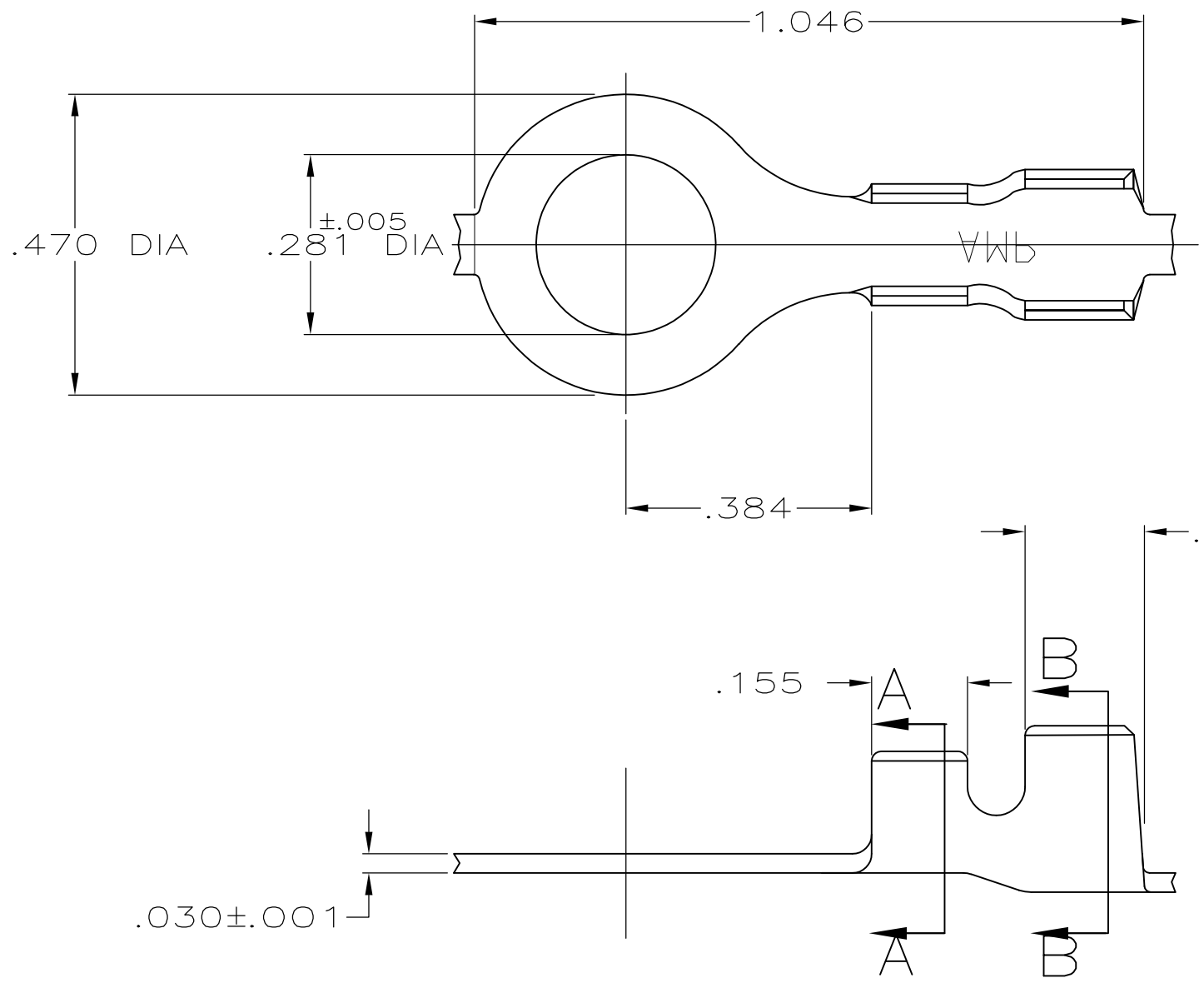
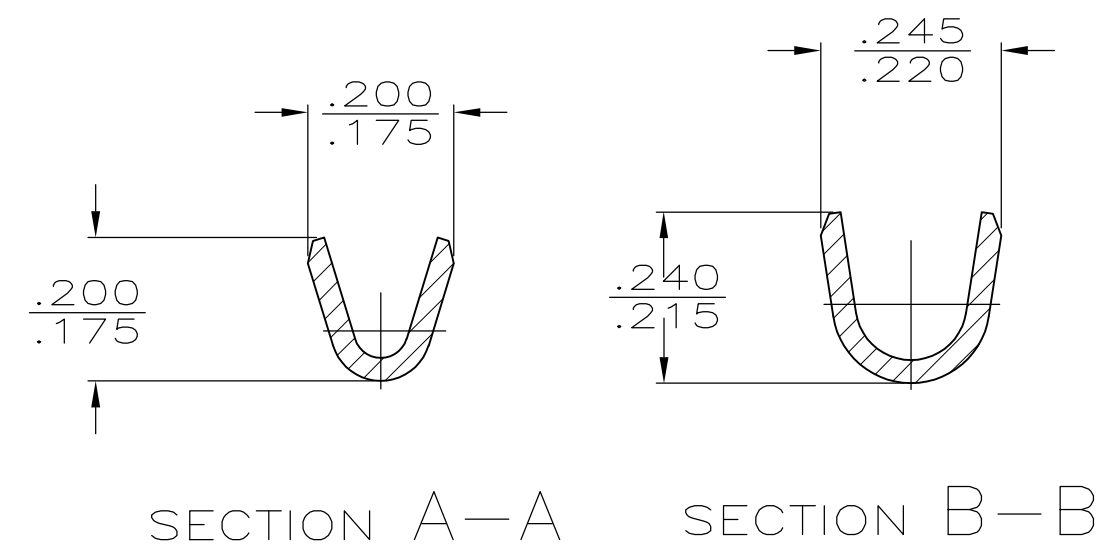


THIS DRAWING IS UNPUBLISHED. RELEASED FOR PUBLICATION  
 © COPYRIGHT BY TYCO ELECTRONICS CORPORATION. ALL INTERNATIONAL RIGHTS RESERVED.

LOC	DIST	REVISIONS					
AF	50	P	LTR	DESCRIPTION	DATE	DWN	APVD
		L		REVISED PER ECR-10-006099	07JUL10	HMR	PD



1. CONTINUOUS STRIP ON REELS



.120-.180 DIA	16-14 AWG	42938-2
INSULATION RANGE	WIRE SIZE	PART NO

F or O	.210	.220	F	.155	.087	14
					.081	16
TYPE	WIDTH	STRIP LENGTH ±.015	TYPE	WIDTH	±.002 HEIGHT	WIRE
INSUL BARREL CRIMP			WIRE BARREL CRIMP			

THIS DRAWING IS A CONTROLLED DOCUMENT.

DIMENSIONS: INCHES

TOLERANCES UNLESS OTHERWISE SPECIFIED:

0 PLC	± -
1 PLC	± -
2 PLC	± -
3 PLC	± .015
4 PLC	± -
ANGLES	± -

MATERIAL: #2 HARD BRASS

FINISH: TIN

DWN P FORTNEY 4/16/90	Tyco Electronics Corporation Harrisburg, PA 17105-3608
CHK JR RUTH 4/16/90	
APVD G YETTER 4/16/90/16/90	
NAME	
PRODUCT SPEC	RING
APPLICATION SPEC	
WEIGHT -	SIZE A3 CAGE CODE 00779 DRAWING NO G-42938 RESTRICTED TO -
CUSTOMER DRAWING	SCALE 4:1 SHEET 1 OF 1 REV L