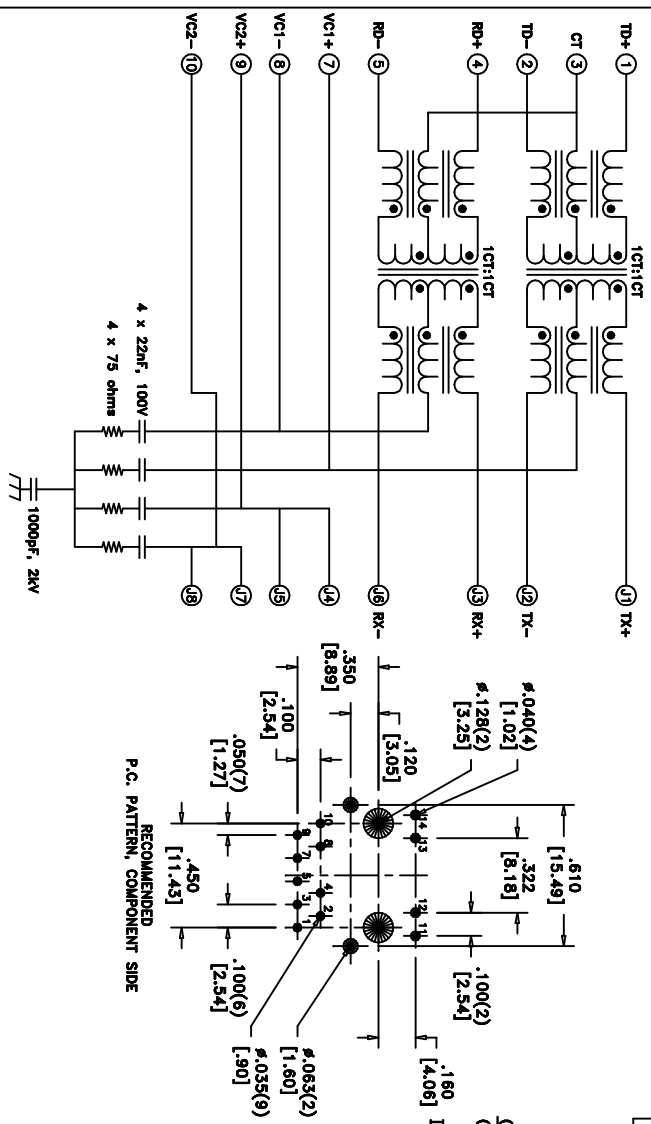
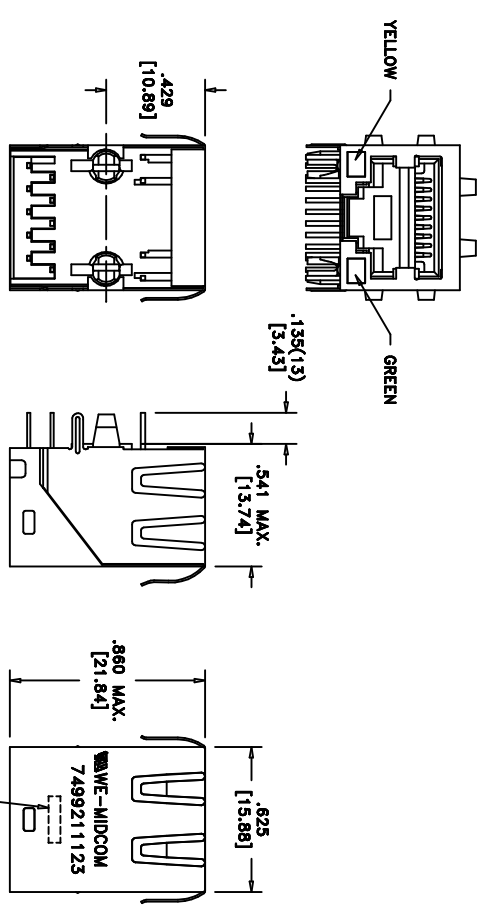


CUSTOMER TERMINAL	RoHS	LEAD(Pb)-FREE
Sn100%	Yes	Yes



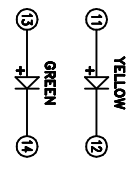
**ELECTRICAL SPECIFICATIONS @ 25°C unless otherwise noted:**

PARAMETER	TEST CONDITIONS	VALUE
INDUCTANCE	J1-J2 100KHz, 100mVAC, 8mA DC, 1p	350uH min.
INDUCTANCE	J3-J6 100KHz, 100mVAC, 8mA DC, 1p	350uH min.
DIELECTRIC	P1-J1	1500Vrms, 1 minute
TURNS RATIO	(P1-P2):(I1-I2)	1:1, ±2%
TURNS RATIO	(P4-P5):(J3-J6)	1:1, ±2%
INSERTION LOSS	1M - 100MHz	-1.0dB max.
RETURN LOSS	1M - 30MHz	-18dB min.
RETURN LOSS	30M - 45MHz	-16dB min.
RETURN LOSS	45M - 60MHz	-14dB min.
RETURN LOSS	60M - 80MHz	-12dB min.
CROSSTALK	1M - 100MHz	-35dB min.
COMMON MODE REJECTION	1M - 100MHz	-35dB min.
COMMON MODE REJECTION	100M - 500MHz	-25dB min.



**GENERAL SPECIFICATIONS:**  
**OPERATING TEMPERATURE RANGE:** 0°C to +70°C.  
 Designed to handle 350mA DC and meet 802.3af.

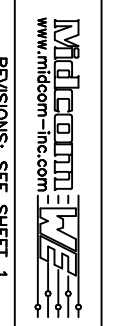
REV.	DATE



Packaging Specifications  
 Method: Tube  
 PKG-0524  
 www.midcom-inc.com

Unless otherwise specified:  
 Tolerances: ±1/64  
 Angles: ±1°  
 Decimals: ±.010[.25]  
 Dimensions in brackets are in millimeters.

DRAWING TITLE  
**TRANSFORMER**  
 10/100Mbs & PoE  
 eSos p/n: 7499211123



DRAWING NO.  
**7499211123**

AGENCY NUMBER	UL60950-1	E205630
REVISIONS:	SEE SHEET 1	
SCALE	----	
SHEET	2 OF 6	