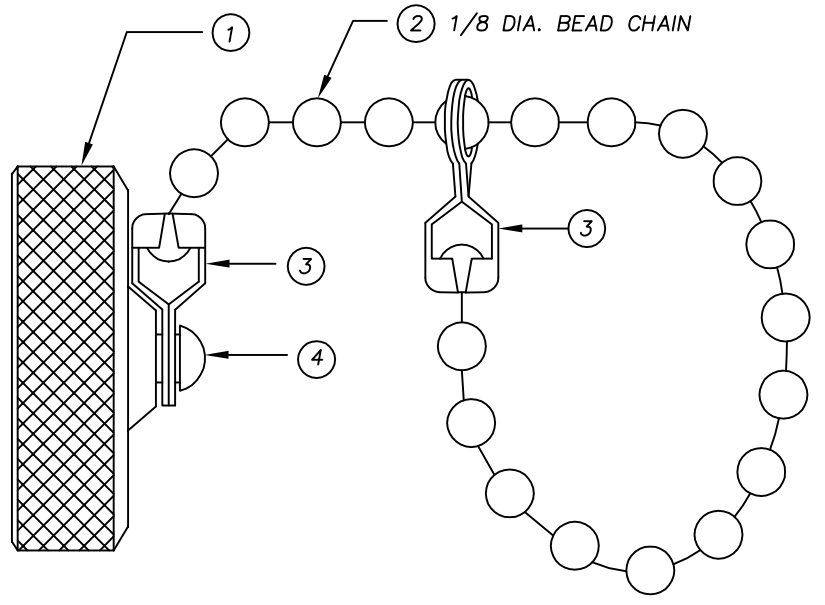
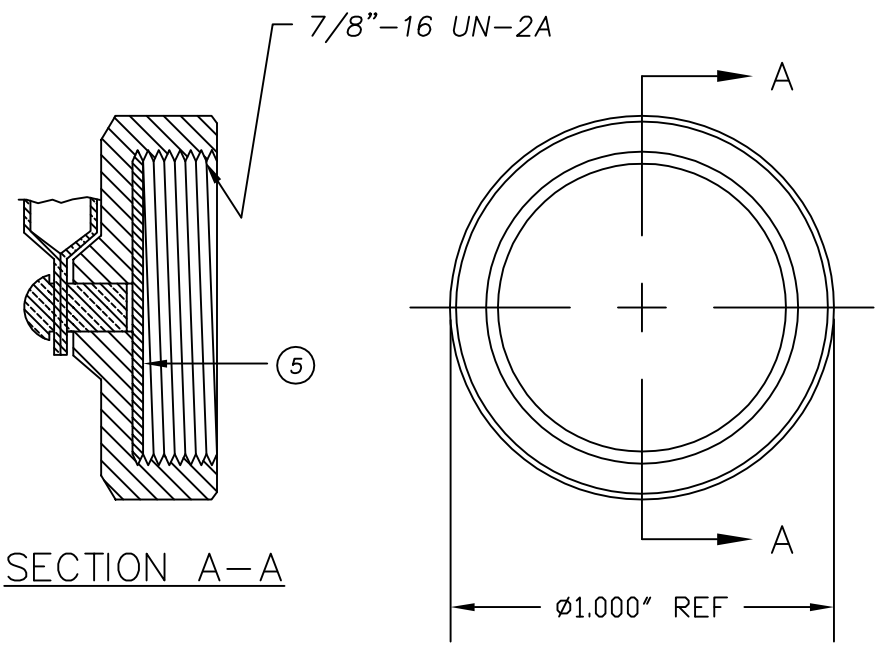


REF.	DESCRIPTION
1	303 STAINLESS STEEL CAP
2	6 INCH 1/8 DIA. STAINLESS STEEL BEAD CHAIN
3	STAINLESS STEEL CHAIN FASTENER
4	#4X3/16 DRIVE SCREW
5	NEOPRENE GASKET



UPDATE MATERIAL # EC NO: WNA209-0313 DRWN: LHARTMAN 2008/10/27 CHKD: YOU 2008/11/07 APPR: JFMURPHY 2008/11/10	DESCRIPTION REV	QUALITY SYMBOLS ▽=0 ∇=0	GENERAL TOLERANCES (UNLESS SPECIFIED)	DIMENSION STYLE ----	SCALE 2:1	DESIGN UNITS INCH	THIRD ANGLE PROJECTION																										
		<table border="1"> <thead> <tr> <th></th> <th>mm</th> <th>INCH</th> </tr> </thead> <tbody> <tr> <td>4 PLACES</td> <td>±----</td> <td>±----</td> </tr> <tr> <td>3 PLACES</td> <td>±----</td> <td>±----</td> </tr> <tr> <td>2 PLACES</td> <td>±----</td> <td>±----</td> </tr> <tr> <td>1 PLACE</td> <td>±----</td> <td>±----</td> </tr> </tbody> </table>		mm	INCH	4 PLACES	±----	±----	3 PLACES	±----	±----	2 PLACES	±----	±----	1 PLACE	±----	±----	<table border="1"> <thead> <tr> <th>DRAWN BY</th> <th>DATE</th> </tr> </thead> <tbody> <tr> <td>LHARTMAN</td> <td>2008/10/27</td> </tr> <tr> <th>CHECKED BY</th> <th>DATE</th> </tr> <tr> <td>YOU</td> <td>2008/10/27</td> </tr> <tr> <th>APPROVED BY</th> <th>DATE</th> </tr> <tr> <td>JFMURPHY</td> <td>2008/10/27</td> </tr> </tbody> </table>	DRAWN BY	DATE	LHARTMAN	2008/10/27	CHECKED BY	DATE	YOU	2008/10/27	APPROVED BY	DATE	JFMURPHY	2008/10/27	TITLE MINI-CHANGE CLOS CAP FF A-SIZE INTERNAL THREAD WITH BEAD CHAIN AND LOOP		
			mm	INCH																													
		4 PLACES	±----	±----																													
		3 PLACES	±----	±----																													
2 PLACES	±----	±----																															
1 PLACE	±----	±----																															
DRAWN BY	DATE																																
LHARTMAN	2008/10/27																																
CHECKED BY	DATE																																
YOU	2008/10/27																																
APPROVED BY	DATE																																
JFMURPHY	2008/10/27																																
ANGULAR ±---°			MOLEX INCORPORATED																														
DRAFT WHERE APPLICABLE MUST REMAIN WITHIN DIMENSIONS			MATERIAL NO. 1302011113	DOCUMENT NO. SD-130046-003	SHEET NO. 1 OF 1																												

THIS DRAWING CONTAINS INFORMATION THAT IS PROPRIETARY TO MOLEX INCORPORATED AND SHOULD NOT BE USED WITHOUT WRITTEN PERMISSION