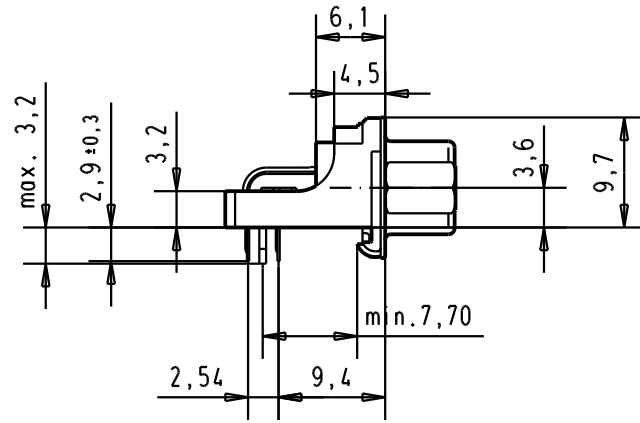
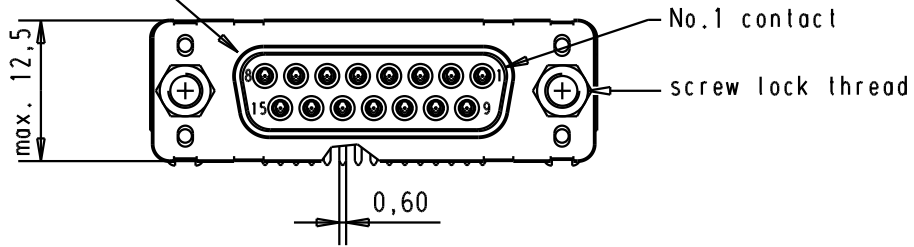
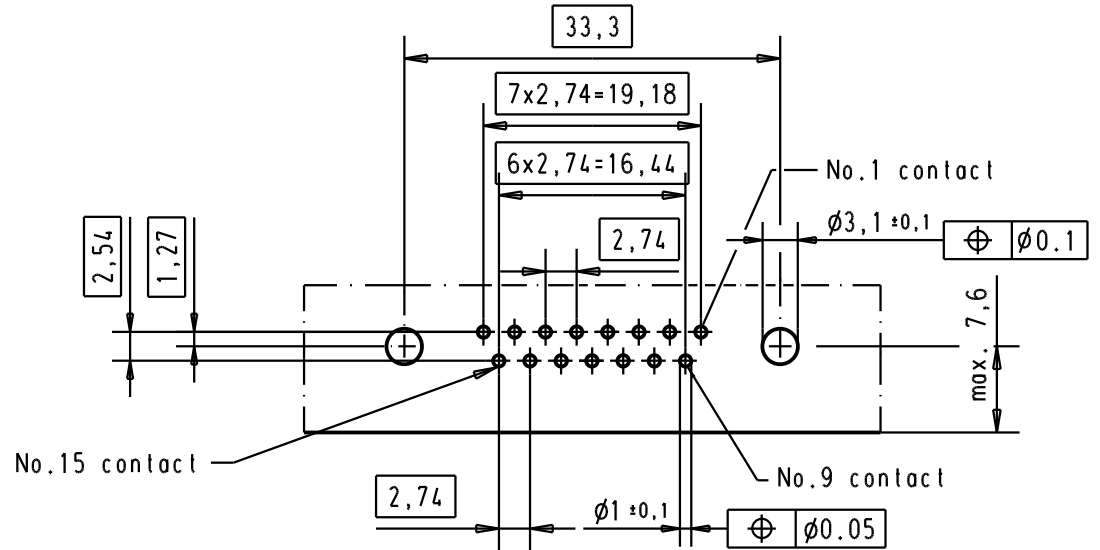
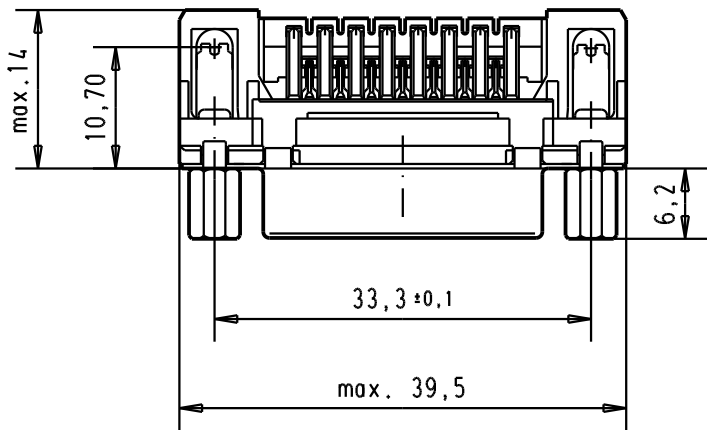


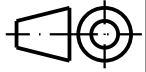

Mating face according to : MIL-C-24308 / DIN 41652 / CECC 75301-802



Printed board layout component side



Connector retention and insertion forces on the PCB = 25 / 80 newtons

						Dat.	Name	 All Dim. in mm Orig. Size DIN A 4	D-Sub, high temperature, female, low profil, 15 poles with solder pins 2.9, screw lock and grounding board lock.	Maßstab/ Scale 1.5:1	
						Detail.	05/03/02				CV
						Insp.					
						Stand.					
09 66 256 3617	4-40 UNC	1									
09 66 256 6617	4-40 UNC	2	31892	05/05/04	JH	HARTING EURL F-95972 Paris					
09 66 256 7617	4-40 UNC	3	29723	05/03/02	CV						
Part number	Screw lock thread	Performance level	Mod.	Dat.	Name				TB 0966256x61x Sub.	Blatt/ Page 3	