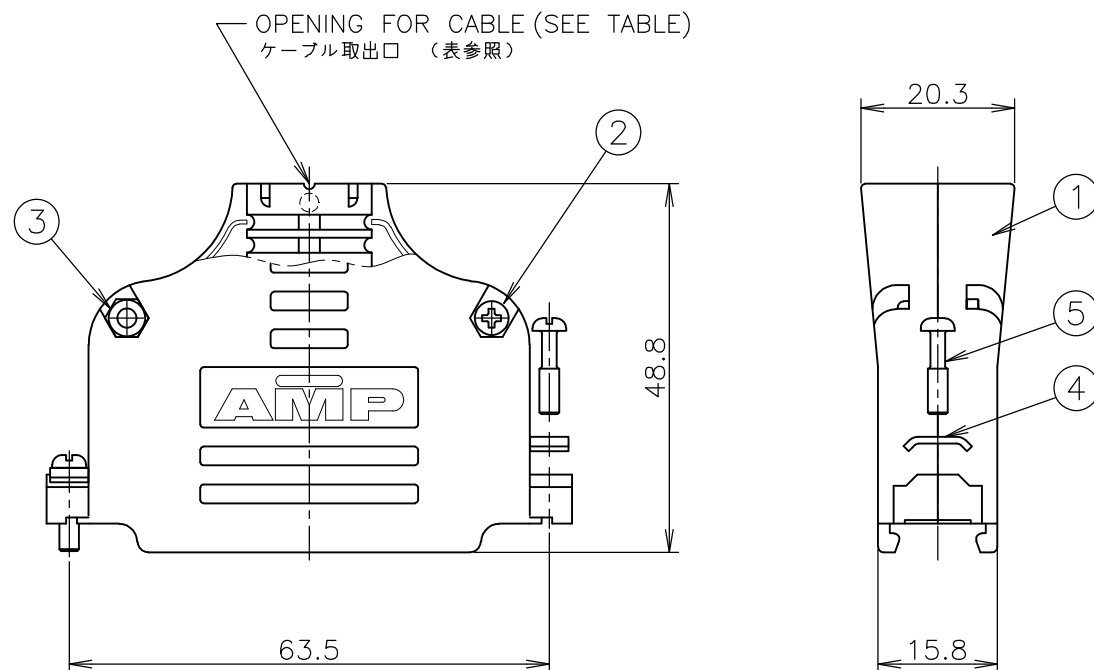


THIS DRAWING IS UNPUBLISHED. RELEASED FOR PUBLICATION APR, 1985.

© COPYRIGHT 1985 BY TYCO ELECTRONICS CORPORATION. ALL INTERNATIONAL RIGHTS RESERVED.

LOC	DIST	REVISIONS 変更					
J	/	P	LTR	DESCRIPTION	DATE	DWN	APVD
		F		REACTIVATE ECR-10-021904	25OCT2010	T.T	T.M

1-172928-3; AS SHOWN



QTY REQD PER ASSY	CABLE DIA	NAME	名称	MATERIAL & FINISH	材質および仕上	ITEM NO
2		M2.6 MOUNTING SCREW	M2.6 取付けネジ	COPPER, Ni PL. (JIS H8617 MFNi II)	黄銅 ニッケルめっき	⑤
2		SADDLE WASHER	サドルワッシャー	CARBON STEEL, Ni PL. (JIS H8617 MFNi III)	鋼 ニッケルめっき	④
2		M2.6 HEX NUT	M2.6 六角ナット	COPPER, Ni PL. (JIS H8617 MFNi II)	黄銅 ニッケルめっき	③
2		M2.6 CROSS-RECESSED HEAD SCREW	M2.6 十字頭小ネジ	COPPER, Ni PL. (JIS H8617 MFNi II)	黄銅 ニッケルめっき	②
2	12.7 MAX 以下	CABLE CLAMP	ケーブル・クランプ	ABS RESIN	ABS樹脂	①

THIS DRAWING IS A CONTROLLED DOCUMENT.		DWN T.TSUZAKI 09JUL2010	Tyco Electronics Corporation Kawasaki, Japan	
DIMENSIONS: 単位: 耗 mm		CHK T.MASUDA 09JUL2010	NAME T.MASUDA 09JUL2010	
TOLERANCES UNLESS OTHERWISE SPECIFIED: 一般公差		PRODUCT SPEC 製品規格		
0 PLC ±		APPLICATION SPEC 取付適用規格		
1 PLC ±		SIZE	CAGE CODE	DRAWING NO
2 PLC ±		A3 00779 C-172928		
3 PLC ±		RESTRICTED TO		
4 PLC ±		SCALE 1:1 SHEET 1 OF 1 REV F		
ANGLES ±		CUSTOMER DRAWING		
FINISH 仕上 表参照 SEE TABLE				
MATERIAL 材料 表参照 SEE TABLE				

GENERAL TOLERANCE
一般公差

10 ≥ : ±0.2
30 ≥ > 10: ±0.25
100 ≥ > 30: ±0.3
ANGLES: ±3°