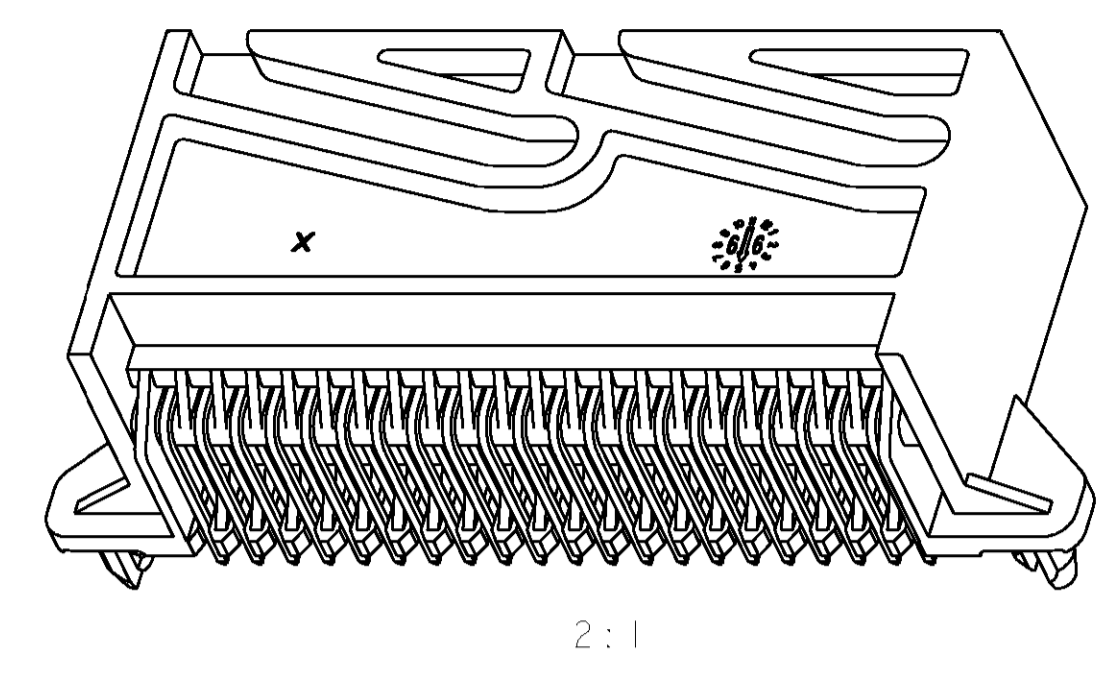
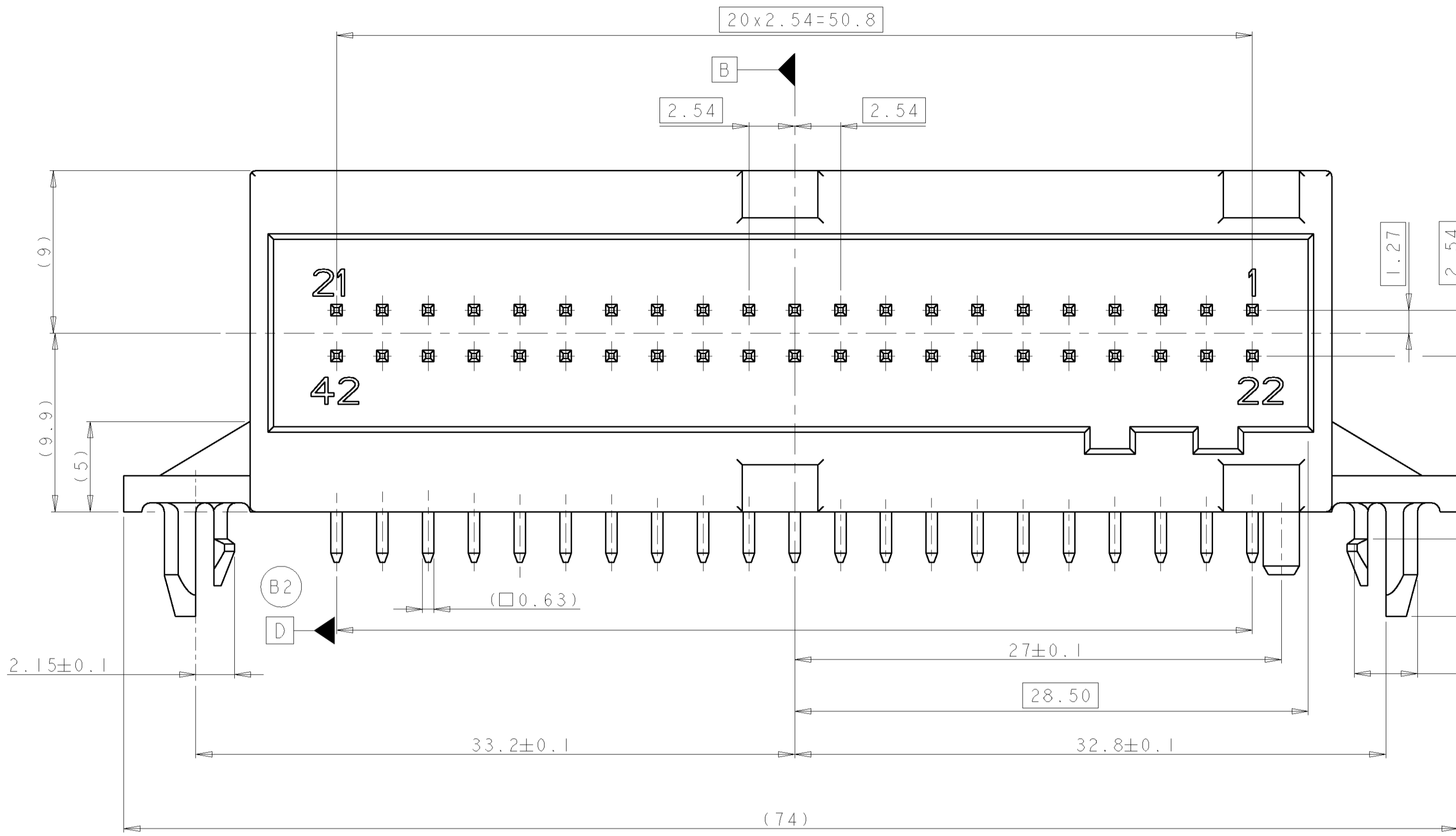


PROJEKT NO.
 A98-52144
 B909525

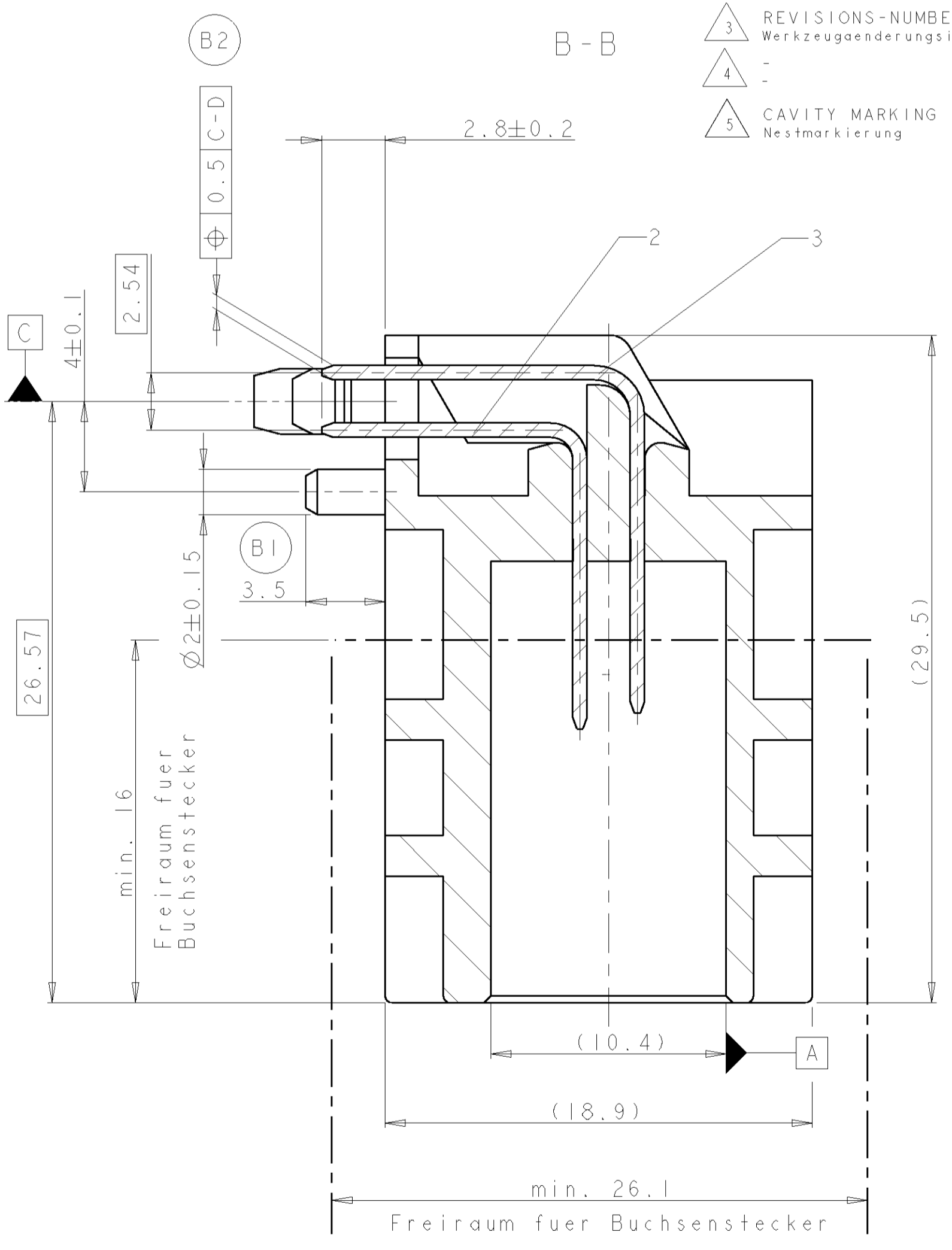
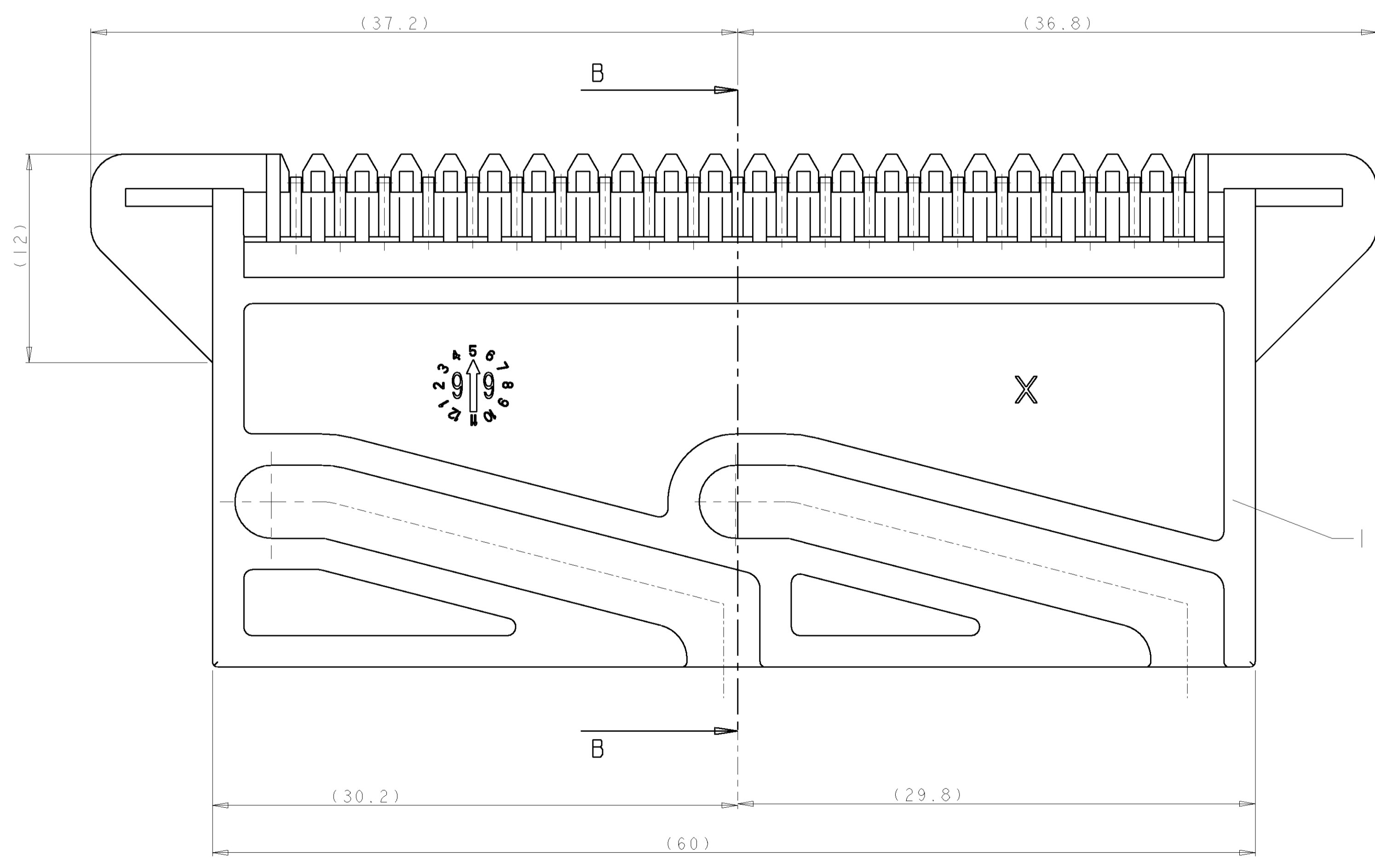
LOC	DIST	P	LTR	DESCRIPTION	DATE	DWN	APVD
A	-	D		SEE PCN EGO0-2700-02	19AUG2002	H.M.	T.K.
		D1		SEEE PCN EGA0-0540-03	03MAR2004	HSCH	VB



GEGENSTECKER COUNTERPARTS		
0-1355543-1	1	COVER WITH SLIDE, 180° CABLEOUTLET, CODING A
0-1241727-1	1	MOS-RECEPTACLE HOUSING, 42POS
AMP BESTELL-NR.	STK.	BENENNUNG
AMP ORDER NO.	QTY.	DESCRIPTION

NOTES
 Bemerkungen

- 1 AMP-LOGO
AMP-Logo
- 2 ORDER-NUMBER
Bestell-Nummer
- 3 REVISIONS-NUMBER
Werkzeugaenderungsindex
- 4 -
- 5 CAVITY MARKING
Nestmarkierung
- 6 -
- 7 PACKING IN LAYERS IN CARTON
Lagenverpackung in Karton
- 8 MATERIAL MARKING
Werkstoffkennzeichnung
- 9 PRODUCTION-DATE
Produktions-Datum
- DI 10 PACKING IN PLASTIC TRAY (CUSTOMER RESTRICTED)
Verpackt in Kunststofftray (Kundenbeschaenkt)



PART NO. Bestell-Nr.	REV.	DESCRIPTION Beschreibung	QTY. Stck.	MATERIAL	SURFACE COLOR	ITEM NO.	PART NO. Bestell-Nr.	REV.	DESCRIPTION Beschreibung	QTY. Stck.	MATERIAL	SURFACE COLOR	ITEM NO.	MATERIAL	FINISH	WEIGHT	CUSTOMER DRAWING
1-1355591-1	D	AMP MODU II PIN	21	CuMg	TIN PLATED	3	0-1355591-1	D	AMP MODU II PIN	21	⊕ CuMg	TIN PLATED	3	0	PLC ±0.3	17.9 g	A 00779 C=1355591
		AMP MODU II PIN	21	CuMg	TIN PLATED	2			AMP MODU II PIN	21	⊕ CuMg	TIN PLATED	2	1	PLC ±0.3		
		PIN HEADER 42POS., 90°	1	PA6 (GB20+GF10)	BLACK	1			PIN HEADER 42POS., 90°	1	PA6 (GB20+GF10)	BLACK	1	2	PLC ±0.3		
														3	PLC ±0.3		
														4	PLC ±0.3		
														5	PLC ±0.3		
														6	PLC ±0.3		
														7	PLC ±0.3		
														8	PLC ±0.3		
														9	PLC ±0.3		
														10	PLC ±0.3		