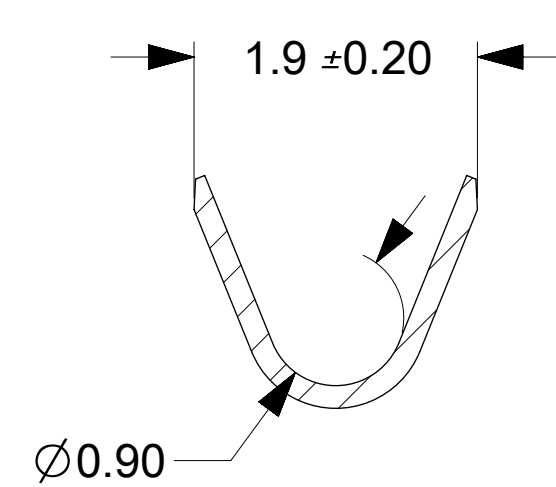
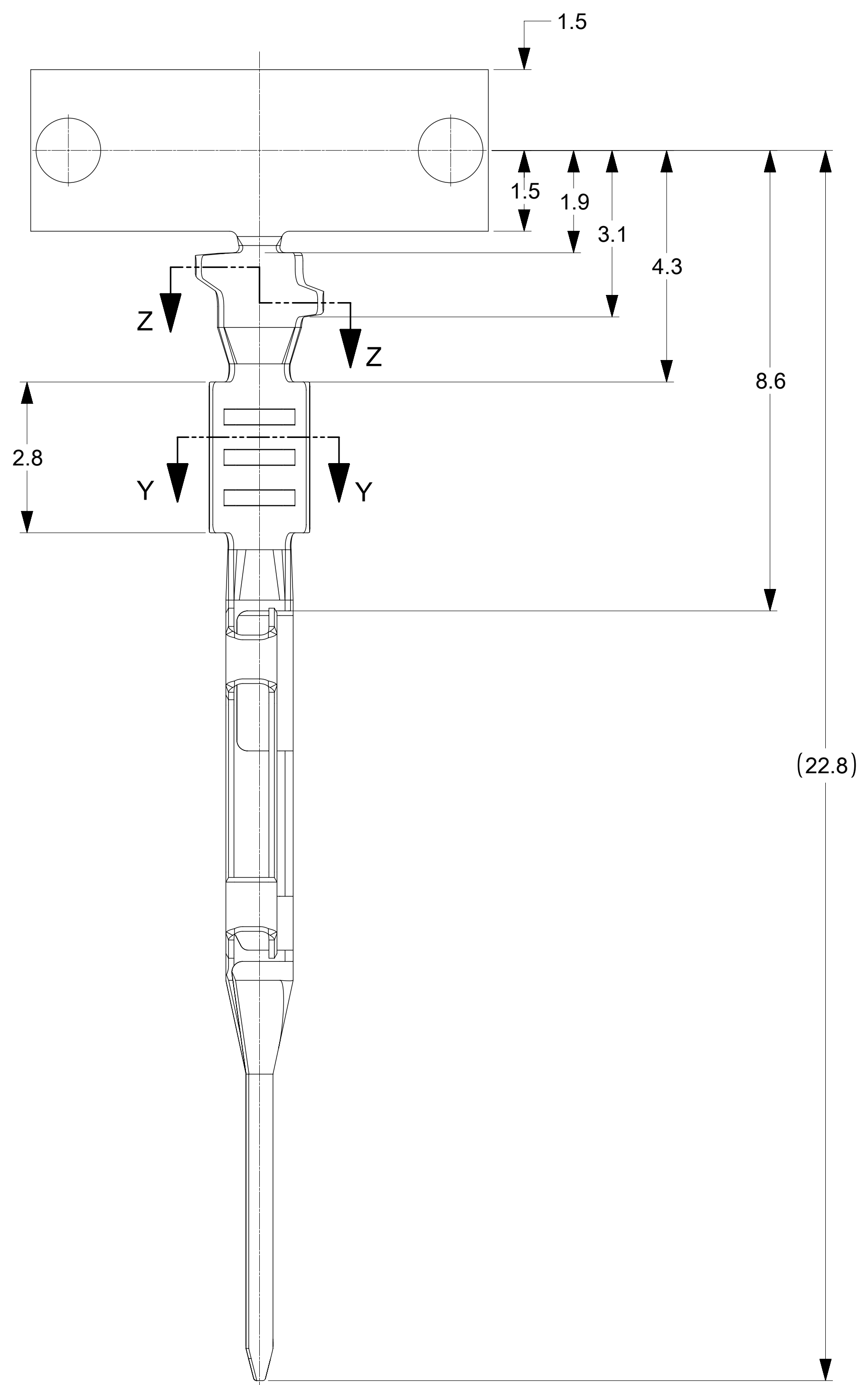
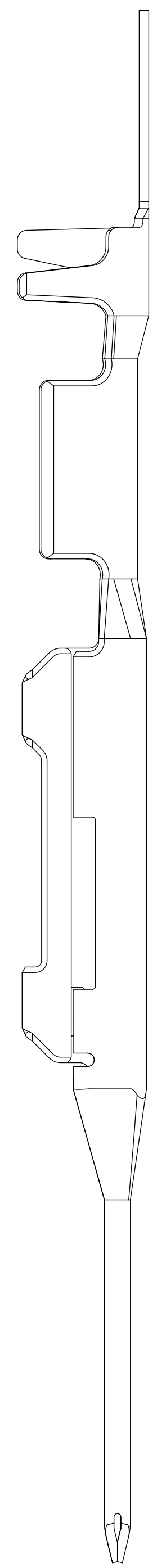
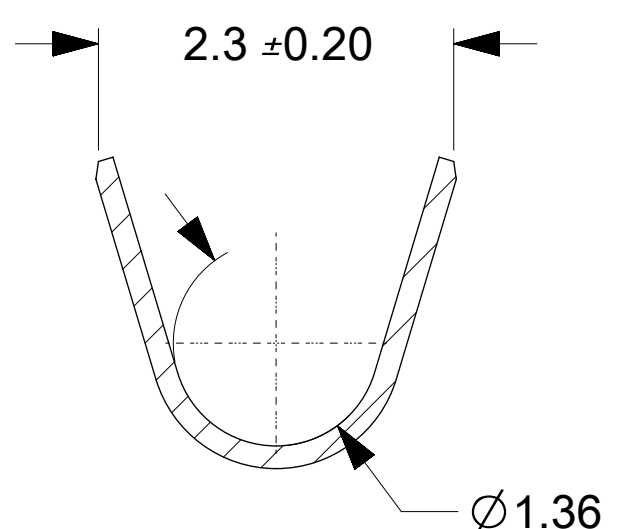


PRODUCTION  
PLANT TRADEMARK

MXW



SECTION Y-Y  
SCALE 20:1  
ROTATED 180°



SECTION Z-Z  
SCALE 20:1  
ROTATED 180°

**NOTES:**

1. MATERIAL: COPPER ALLOY
2. FINISH:  
2.5µm MIN OVERALL ELECTROPLATE MATTE TIN OVER  
1.25µm MIN OVERALL ELECTROPLATED MATTE NICKEL
3. PRODUCT SPECIFICATION: 2042200000-PS
4. APPLICATION SPECIFICATION: 2042200000-AS
5. PACKAGING SPECIFICATION: 2042260000-PK
6. THIS CRIMP TERMINAL TO BE USED WITH ASSEMBLY SERIES 204223.
7. THIS CRIMP TERMINAL MATES WITH RECEPTACLE CRIMP TERMINAL SERIES 204301.
8. THIS PART CONFORMS TO CLASS 'B' REQUIREMENTS OF COSMETIC SPECIFICATION PS-45499-002.
9. WIRE SPECIFICATIONS:  
AWG: 22 and 24 awg  
INSULATION OD RANGE: 0.95mm - 1.4mm
10. CRIMP TOOLING:  
APPLICATOR PART NUMBER: 638083700  
HAND TOOL PART NUMBER: 2002180400

THIS DRAWING CONTAINS INFORMATION THAT IS PROPRIETARY TO MOLEX ELECTRONIC TECHNOLOGIES, LLC AND SHOULD NOT BE USED WITHOUT WRITTEN PERMISSION									
QUALITY SYMBOLS	2018/02/08		GENERAL TOLERANCES (UNLESS SPECIFIED)		DIMENSION UNITS		SCALE		
	2018/02/08		ANGULAR TOL ± °		mm		15:1		
= 0 = 0 = 3 = 0 = 0 = 0 = 0 = 0	EC NO: 172092 DRWN: TREGORI CHKD: RHODGE REV APPR: RHODGE	4 PLACES ±		DRWN BY		DATE		PLUG CRIMP TERMINAL SQUBA 1.8	
		3 PLACES ±		TGREGORI		2017/10/10			
2 PLACES ±		CHKD BY		DATE		PRODUCT CUSTOMER DRAWING		SERIES	
1 PLACE ± 0.2		APPR BY		DATE		204226		2042261001	
0 PLACES ±		RHODGE		2018/01/26		DOCUMENT NUMBER		DOC TYPE	
DRAFT WHERE APPLICABLE MUST REMAIN WITHIN DIMENSIONS		DRAWING SIZE		THIRD ANGLE PROJECTION		2042260000-SD		PSD	
		D				DOC PART		SHEET NUMBER	
		A1				000		1 OF 1	