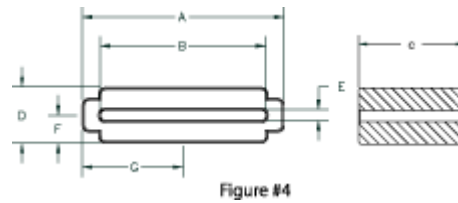
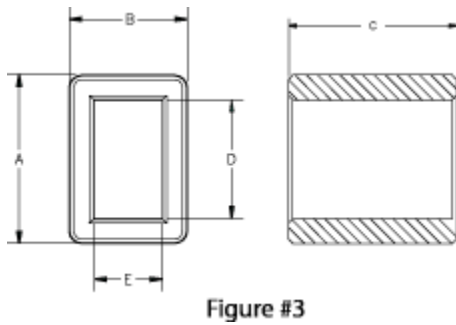
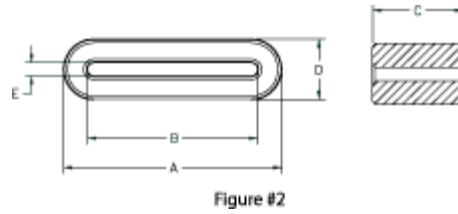
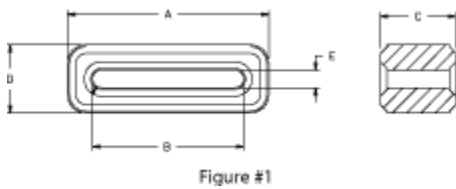


# Steward

Advanced Ferrite Materials, EMI Suppression, and Inductive Products

Home • Ferrite Product Lines • New Products • Technical • General • Contact • Steward Sales

## 28R1467-000



### Drawing Figure #

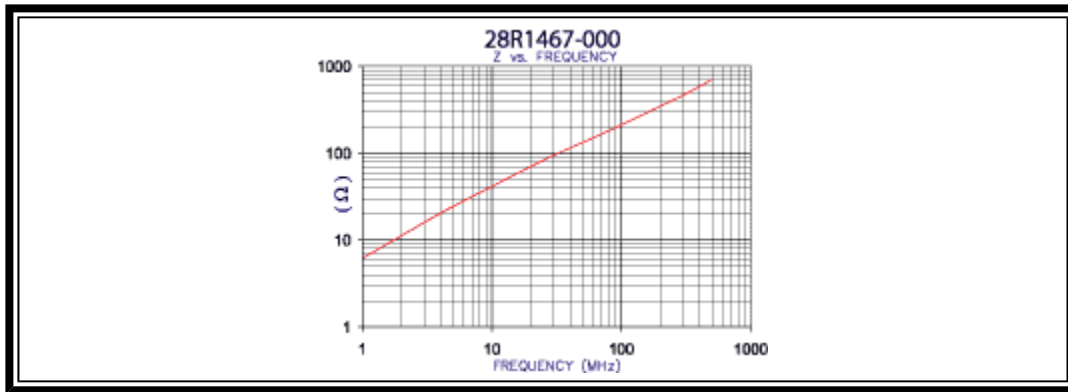
Figure Number
2

### Electrical Characteristics

Z @ 25 MHz	Z @ 100 MHz	Z @ 300 MHz
85	212	467

### Physical Dimensions

A in	A mm	B in	B mm	C in	C mm	D in	D mm	E in	E mm
1.457	37.00	1.224	31.08	0.984	25.00	0.305	7.75	0.059	1.50



Specifications, which provide more details for the correct use of the described products, are available upon request. All specifications are subject to change without notice. For more information on any of the products listed above, please contact Steward customer service department at (800) 634-2673.

[americas@steward.com](mailto:americas@steward.com)

[mexico@steward.com](mailto:mexico@steward.com)

[europa@steward.com](mailto:europa@steward.com)

[asia@steward.com](mailto:asia@steward.com)

Copyright© 2004 Steward, Inc.

Last Updated: 2/10/2004