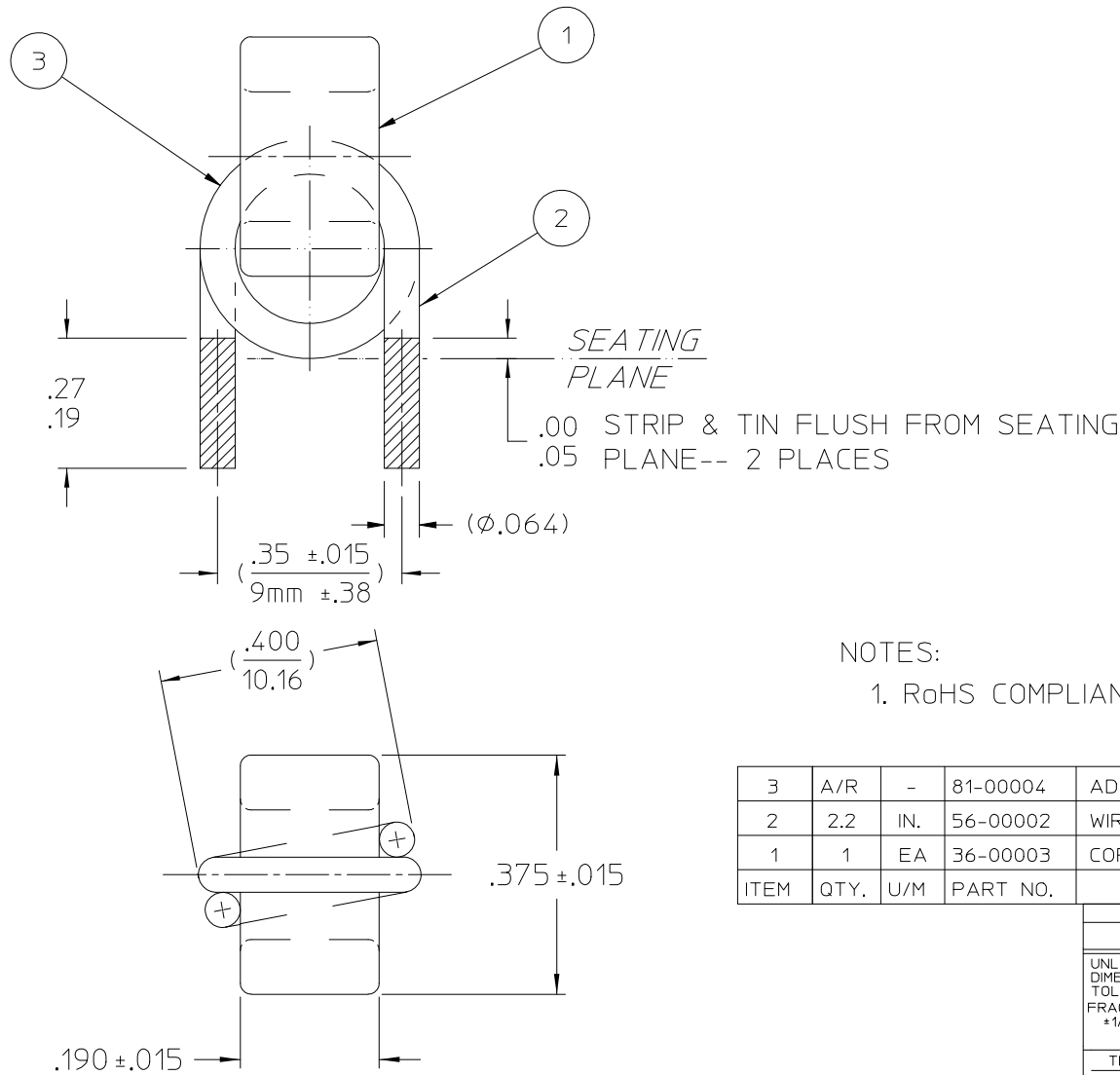


VICOR CONFIDENTIAL

THIS DOCUMENT AND THE DATA DISCLOSED HEREIN OR HERewith IS NOT TO BE REPRODUCED, USED, OR DISCLOSED IN WHOLE OR IN PART TO ANYONE WITHOUT PERMISSION OF VICOR CORP.


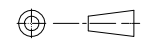
REV.	DESCRIPTION	DATE	APPROVED
1	RELEASED PER ECO Request E064424 REJH	08/16/06	MB



NOTES:

1. RoHS COMPLIANT, LEAD FREE PER CST-0001 LATEST REVISION.

ITEM	QTY.	U/M	PART NO.	DESCRIPTION	MAT'L. SPEC.
3	A/R	-	81-00004	ADHESIVE, SICOMET 7000 AND / OR LOCTITE	38240
2	2.2	IN.	56-00002	WIRE, COPPER, SOLID. #14AWG, MAGNET	
1	1	EA	36-00003	CORE, .2uH, OUTPUT	MICROMETALS-T38-26

DRAWN BY <i>P.E.IENI</i>		DATE 08/15/05		 <p>INDUCTOR ASSY OUTPUT, .2 uH</p>	
<small>UNLESS OTHERWISE SPECIFIED DIMENSIONS ARE IN INCHES- TOLERANCES ARE: FRACTIONS DECIMALS ANGLES ±1/64 .XX=+.03 ±1° .XXX=+.010</small>					
THIRD ANGLE PROJECTION 		SIZE B	FSCM NO. 67131	DWG NO 30268	REV 1
DO NOT SCALE DRAWING		SCALE		SHEET 1 OF 1	