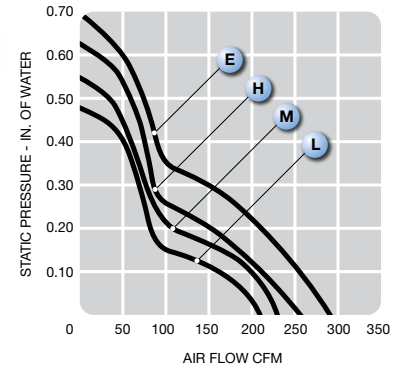
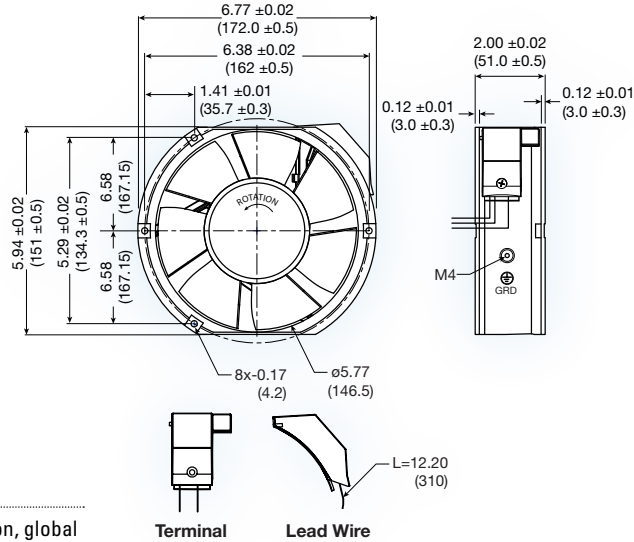




LPC15P series



(172 x 150 x 51 mm)
6.77 x 5.90 x 2.00 inches

Features: low power consumption, global input voltage

Operating voltage: 115 or 230 VAC

Construction: magnesium die cast frame with UL94V-0 plastic impeller

Bearing option: motor quality ball bearings

Motor: electronically comutated

Air Flow: air exhaust over struts

Connection: terminal type or lead wire

Model No.	Rated Voltage V	Freq. HZ	Input Power W	Speed RPM	Air Volume		Max. Static Pressure (H ₂ O)		Sound Noise dB(A)	Weight g
					M ³ /Min.	CFM	MM	INCH		
LPC15P12-__L	115	50/60	10	2,800	5.9	210	12.0	0.48	50	666
LPC15P23-__L	230	50/60	10	2,800	5.9	210	12.0	0.48	50	666
LPC15P12-__M	115	50/60	16	3,200	6.7	235	13.8	0.55	53	666
LPC15P23-__M	230	50/60	16	3,200	6.7	235	13.8	0.55	53	666
LPC15P12-__H	115	50/60	22	3,600	7.4	260	15.8	0.63	56	666
LPC15P23-__H	230	50/60	22	3,600	7.4	260	15.8	0.63	56	666
LPC15P12-__E	115	50/60	29	4,000	8.2	290	17.5	0.70	61	666
LPC15P23-__E	230	50/60	29	4,000	8.2	290	17.5	0.70	61	666

