

SECTION C-C

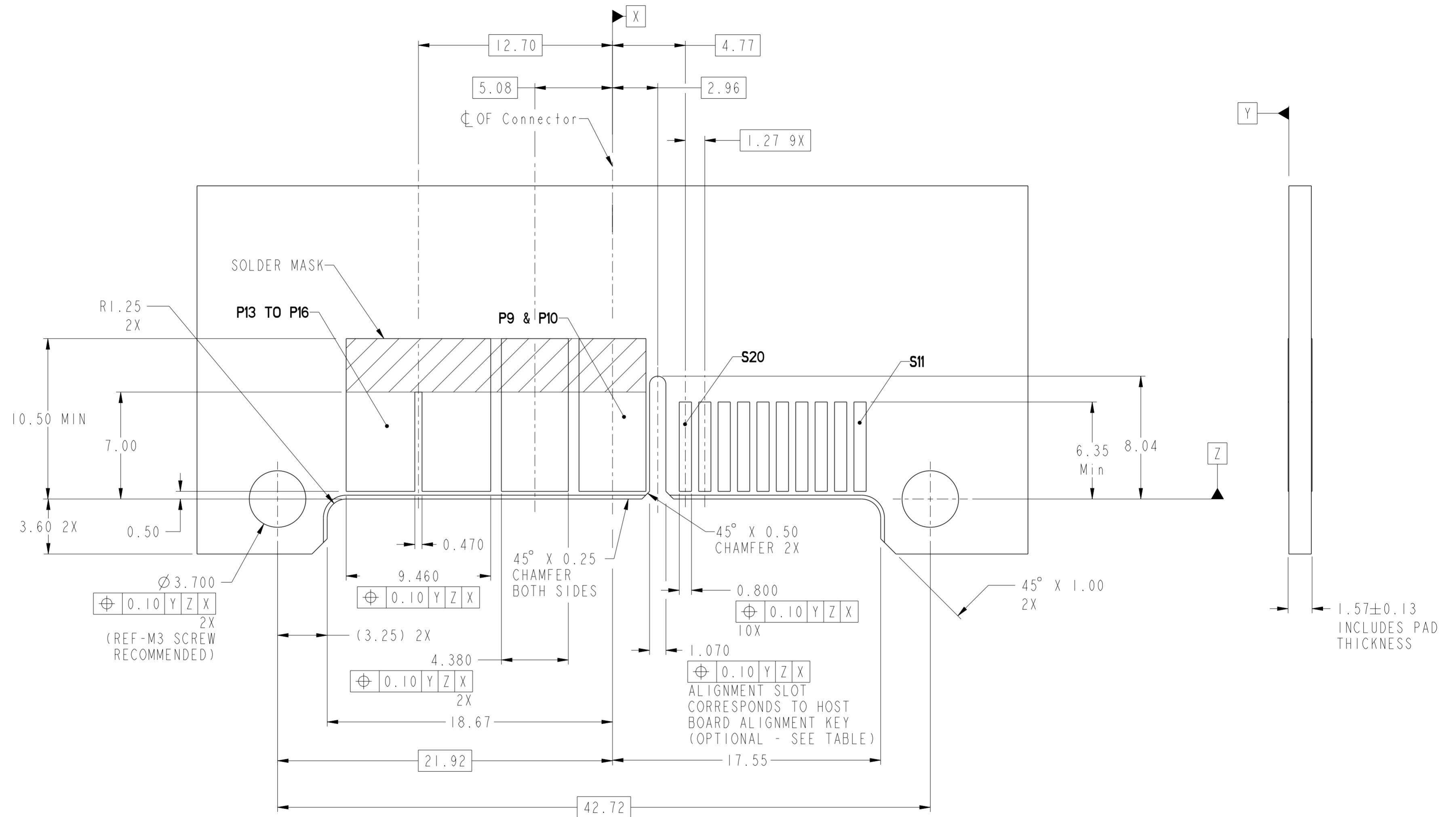
SECTION D-D

spec ref	-	dr	Wei-Long Zhang	2011/07/21	projection	MM	size	A2	scale	4:1
tolerance std	-	eng	Wei-Long Zhang	2011/12/12			A2	4:1	-	-
-	-	chr	Jon Qin	2011/12/13						
-	-	appr	Pai-Ming Zheng	2011/12/13	product family	CARD EDGE	rel level	Released		
surface	✓	linear	0.X	±0.3		HPCE-STRADDLE MT (16P-20S) (RECEPTACLE) SPECIAL CASE	10118766	A	rev	sheet 1 of 5
-	-	angular	0°	±2°						
-	-	angular	0°	±2°						

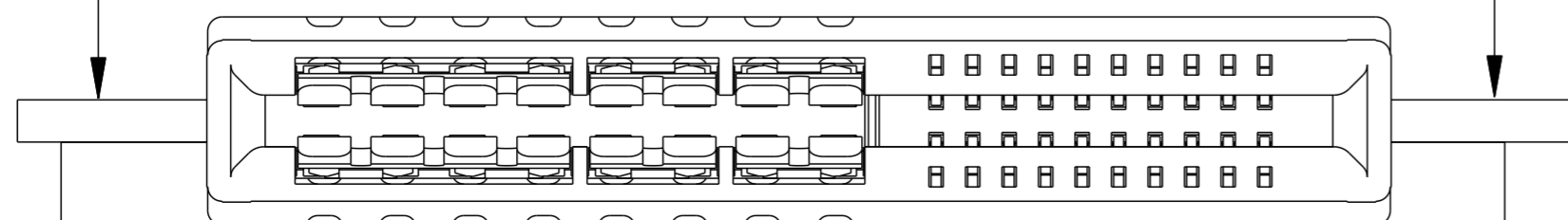
rev	ecn no	dr	date
A	-	HZ	2011-11-17
-	-	-	-
-	-	-	-
-	-	-	-
-	-	-	-
-	-	-	-

Copyright FCI.

NEW RECOMENDED HOST BOARD LAYOUT FOR IMPROVED SOLDER REFLOW PROCESS

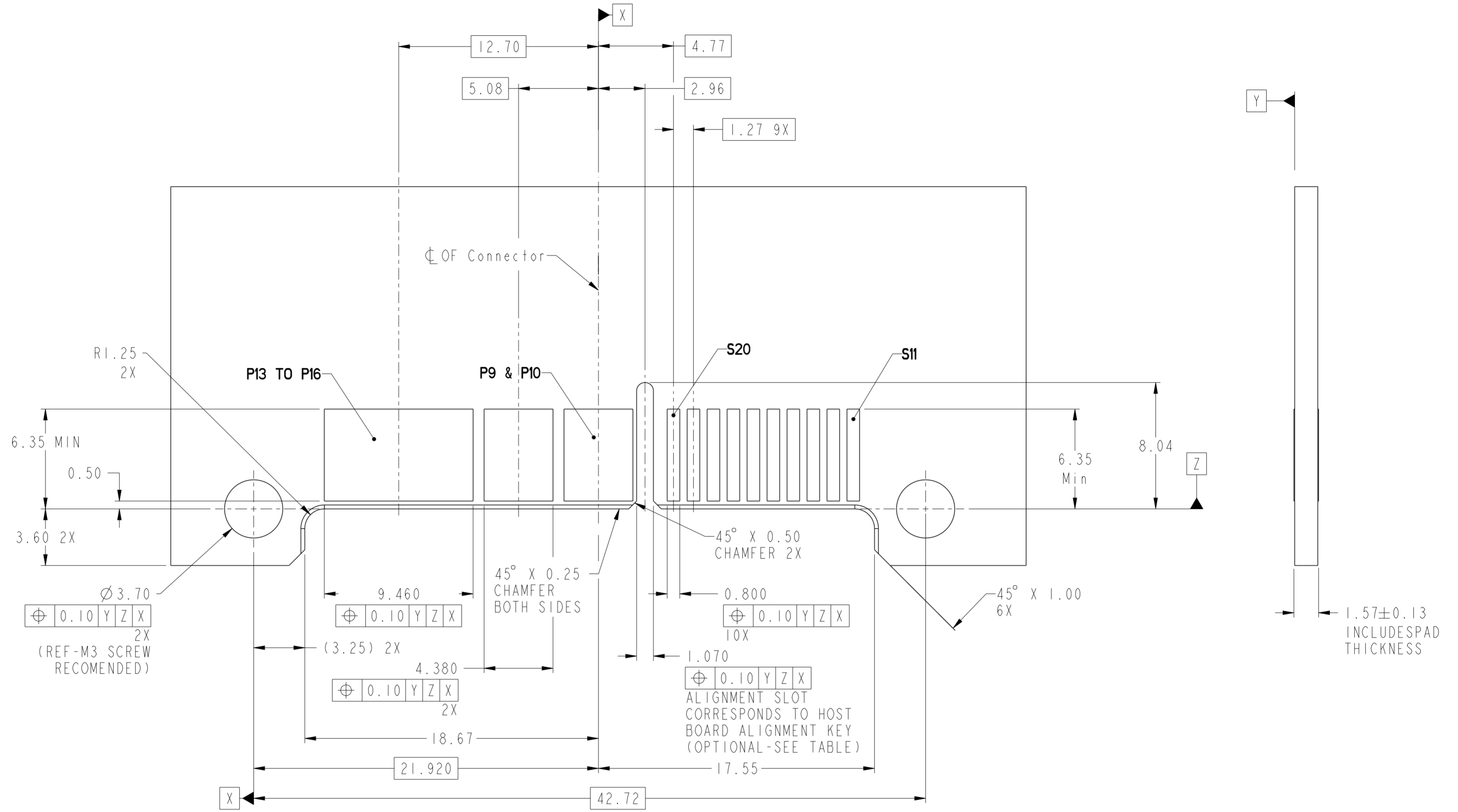


RECOMMENDED HOST BOARD LAYOUT AS VIEWED



dr	Wei-Long Zhang	2011/07/21	projection	MM	size	A2	scale	4:1
eng	Wei-Long Zhang	2011/12/12			ecn no	-	rel level	Released
chr	Jon Qin	2011/12/13						
appr	Pai-Ming Zheng	2011/12/13	product family	CARD EDGE	dwg no	10118766	rev	A
www.fci.com			cat. no.	-	Product - Customer Drw	sheet 2 of 5		

OLD RECOMENDED HOST BOARD LAYOUT



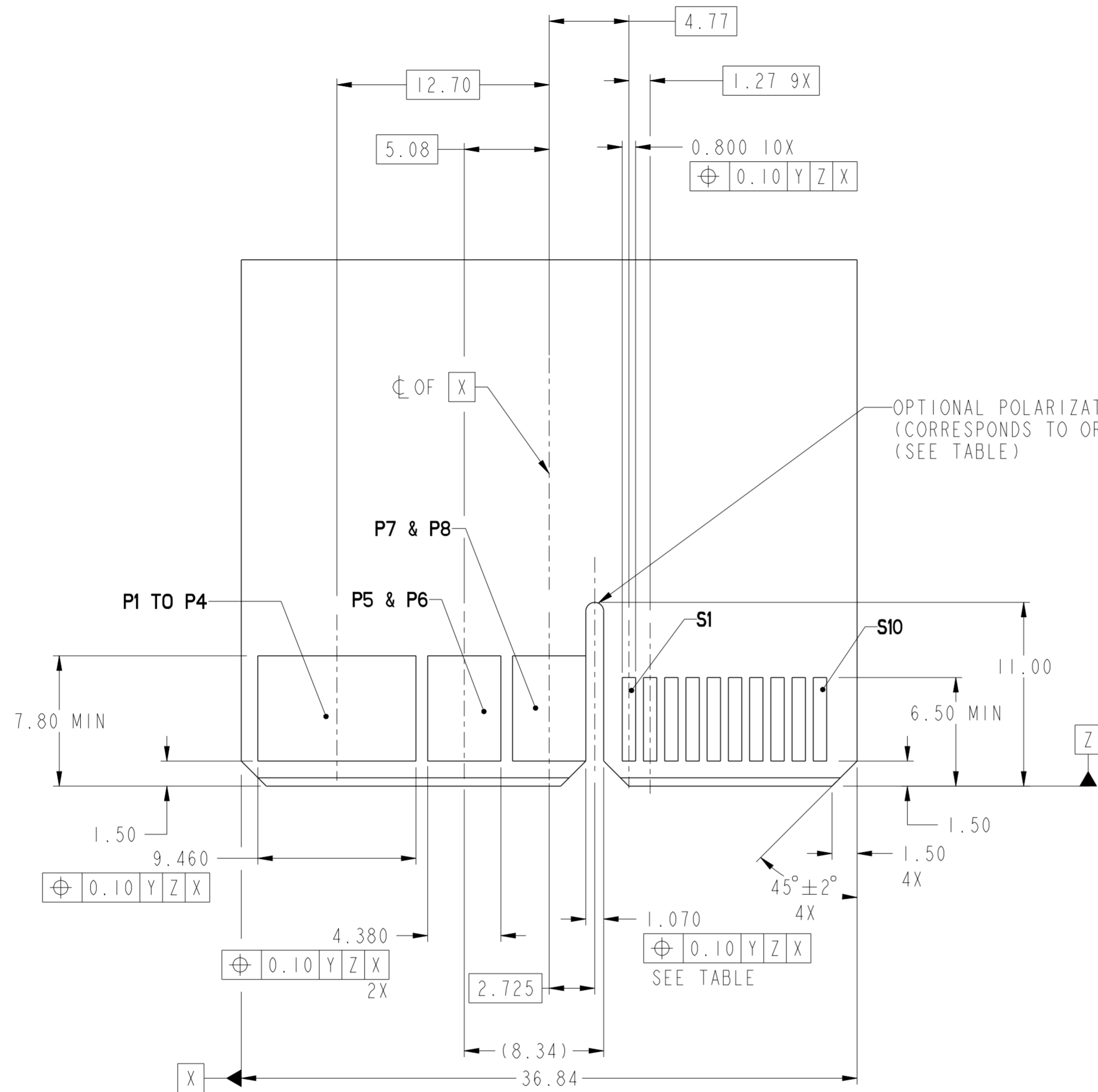
Copyright FCI.
FCI

dr	Wei-Long Zhang	2011/07/21	projection	MM	size	A2	scale	4:1	
eng	Wei-Long Zhang	2011/12/12		MM	A2	-	-	-	
chr	Jon Qin	2011/12/13							
appr	Pai-Ming Zheng	2011/12/13	product family	CARD EDGE	rel level	Released			
			title	HPCE-STRADDLE MT (16P-20S)		dwg no	10118766		
www.fci.com			cat. no.	-		Product - Customer Drw	sheet 3 of 5	rev	A

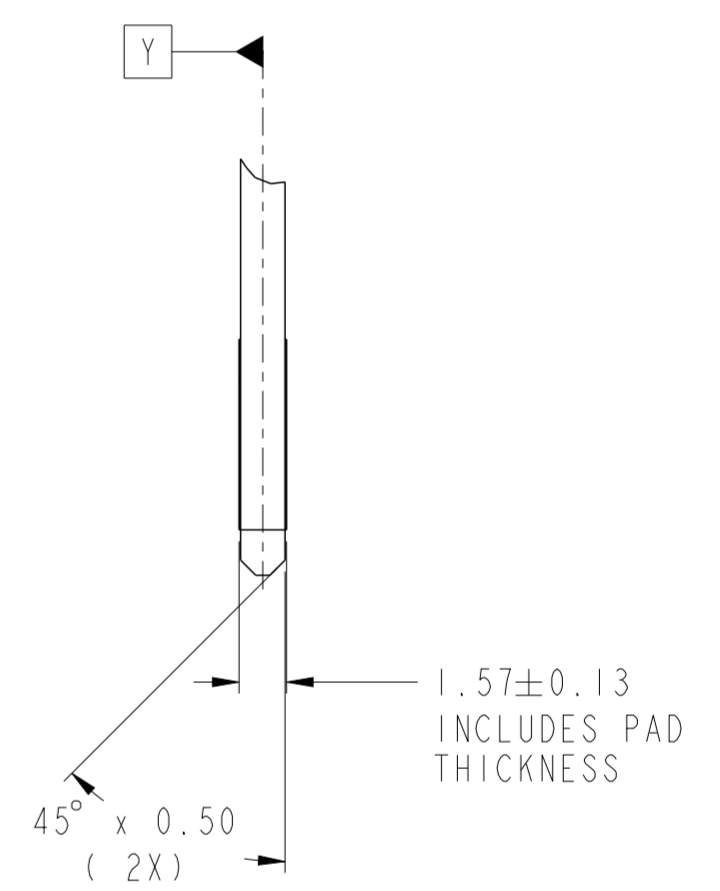
PDS: Rev :A

STATUS:Released

Printed: Dec 13, 2011



RECOMMENDED MATING BOARD FOOTPRINT



Copyright FCI.
FCI

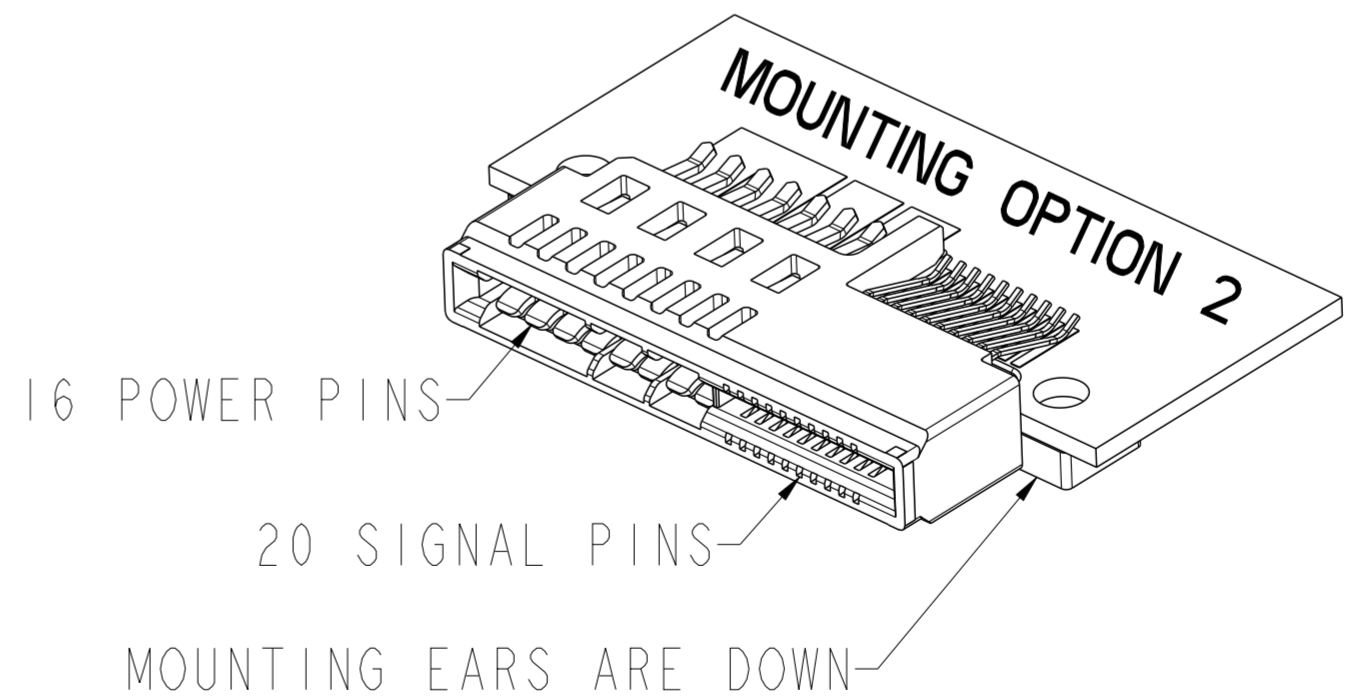
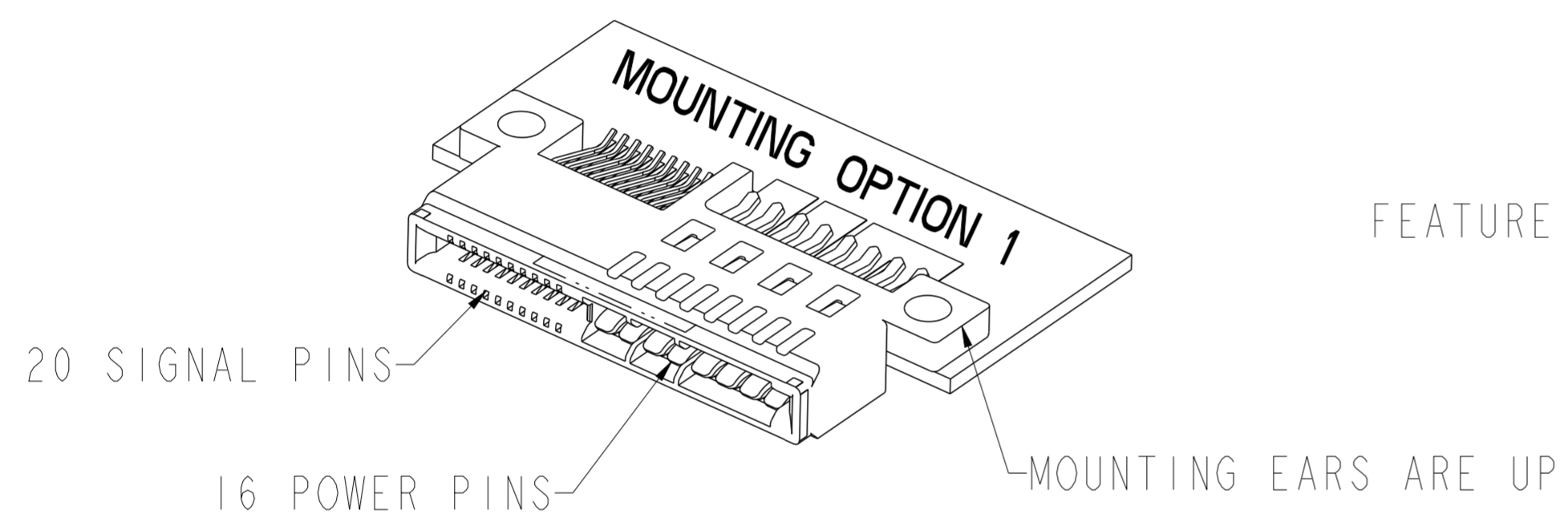
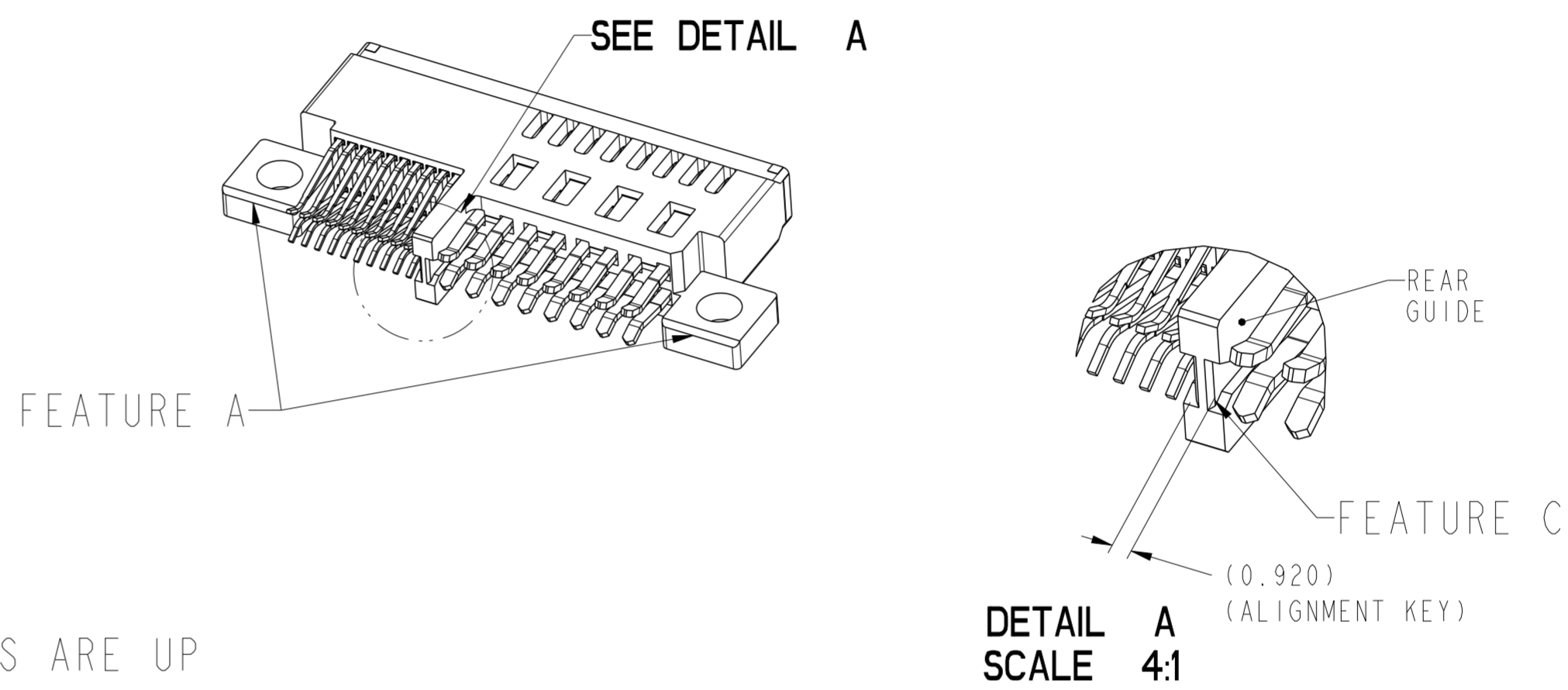
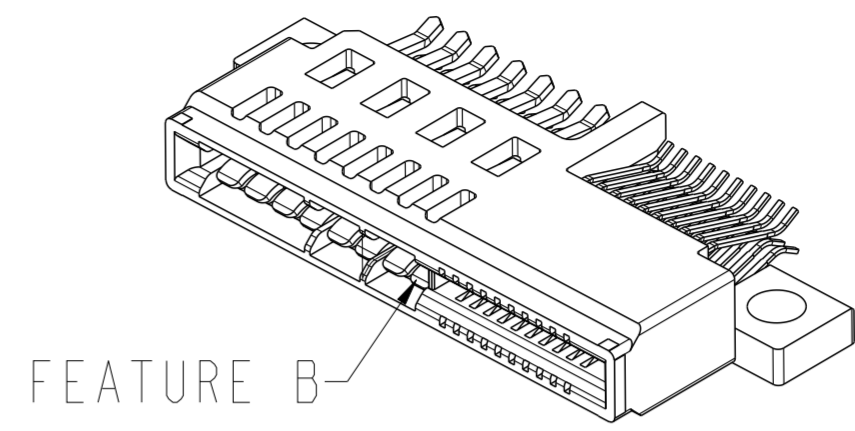
dr	Wei-Long Zhang	2011/07/21	projection	MM	size	A2	scale	4:1
eng	Wei-Long Zhang	2011/12/12			ecn no	-	rel level	Released
chr	Jon Qin	2011/12/13						
appr	Pai-Ming Zheng	2011/12/13	product family	CARD EDGE				
		title HPCE-STRADDLE MT (16P-20S) (RECEPTACLE) SPECIAL CASE		dwg no 10118766	rev A			
www.fci.com		cat. no.	-		Product - Customer Drw		sheet 4 of 5	

PDS: Rev :A

STATUS:Released

Printed: Dec 13, 2011

PART NUMBER	FEATURE C HOST BOARD ALIGNMENT KEY (SEE NOTE 8)	FEATURE A MOUNTING EARS	FEATURE B FRONT POLARIZATION KEY
10118766-001LF	NO	YES	NO
10118766-002LF	NO		YES
10118766-003LF	YES		NO
10118766-004LF	YES		YES



NOTES:

- CONNECTOR MATERIALS:
HOUSING: HIGH TEMPERATURE THERMAL PLASTIC, BLACK
UL 94V-0 COMPLIANT
CONTACTS: HIGH PERFORMANCE COPPER ALLOY.
- CONTACT FINISH REF. GS-12-604 SECTION 5.2.
- PRODUCT SPECIFICATION: GS-12-604.
- APPLICATION SPECIFICATION: GS-20-128.
- PRODUCT MARKING (FCI PART NUMBER & DATE CODE) ON HOUSING IN AREA SHOWN.
- PACKAGING MEETS FCI SPECIFICATION GS-14-937.
- HOUSING COMPONENT WILL WITHSTAND EXPOSURE TO 260°C PEAK TEMPERATURE FOR 60 SECONDS IN A CONVECTION, INFRA-RED, OR VAPOR PHASE REFLOW OVEN.
- HOST BOARD ALIGNMENT KEY IS RECOMMENDED TO ENSURE PROPER ALIGNMENT OF SOLDER TAILS WITH HOST BOARD PADS.
- THE OLD HOST BOARD IS ASSOCIATED WITH -001 & -002 PARTS
THE NEW HOST BOARD CAN BE USED WITH ALL DASH NUMBERS AND IS FOR IMPROVED SOLDER PROCESS

dr	Wei-Long Zhang	2011/07/21	projection	MM	size	A2	scale	4:1
eng	Wei-Long Zhang	2011/12/12			ecn no	-	rel level	Released
chr	Jon Qin	2011/12/13						
appr	Pei-Ming Zheng	2011/12/13	product family	CARD EDGE				
		title HPCE-STRADDLE MT (16P-20S) (RECEPTACLE) SPECIAL CASE		dwg no 10118766		rev A		
www.fci.com		cat. no.		-		Product - Customer Drw		sheet 5 of 5

Copyright FCI. FCI