

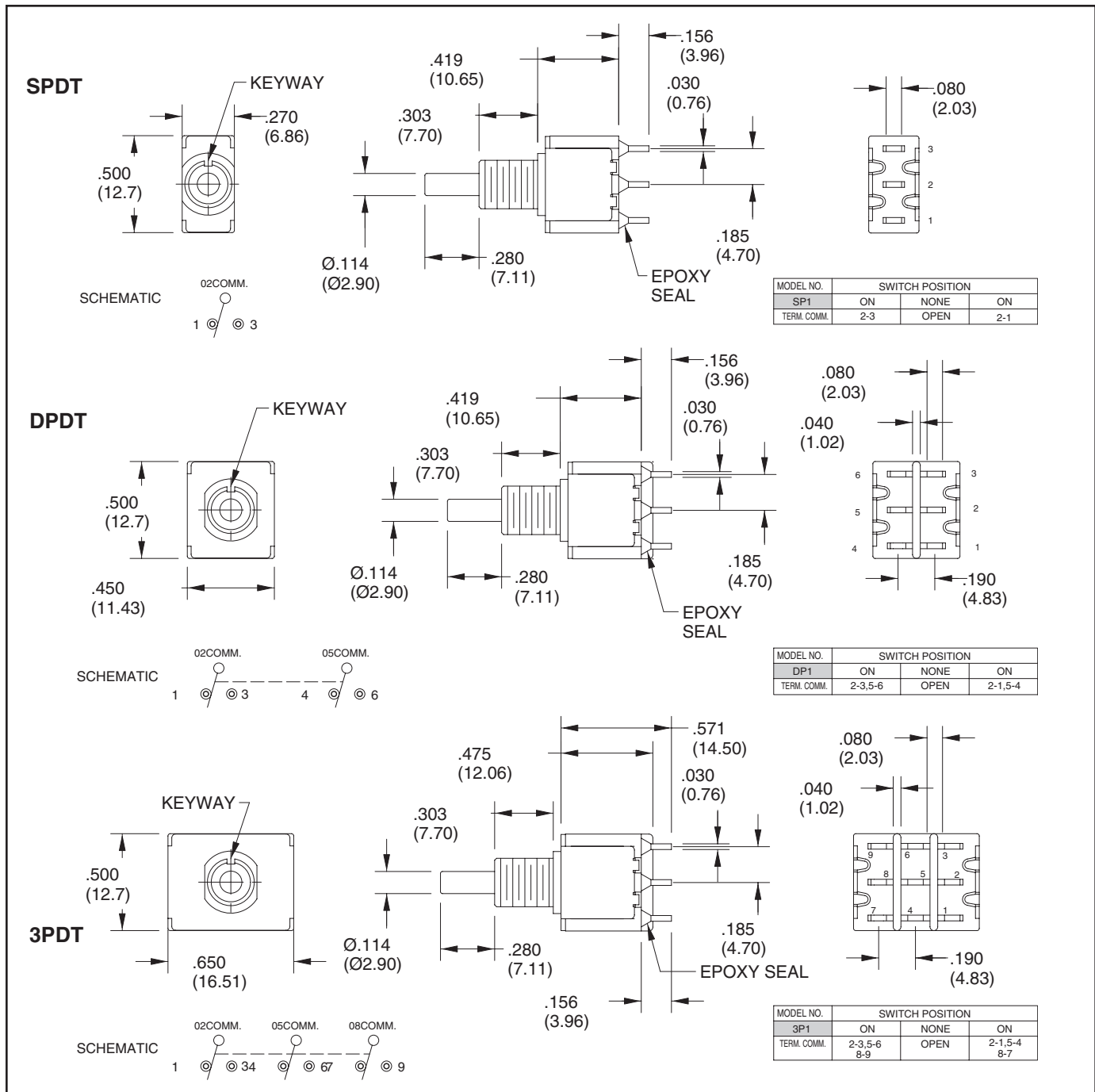
**SERIES 38D**  
**Alternate Action**  
**Pushbutton Switches**

**FEATURES**

- SPDT, DPDT, 3PDT, 4PDT Circuitry
- Choice of Plunger Length, Bushings, and Terminations
- UL Recognized

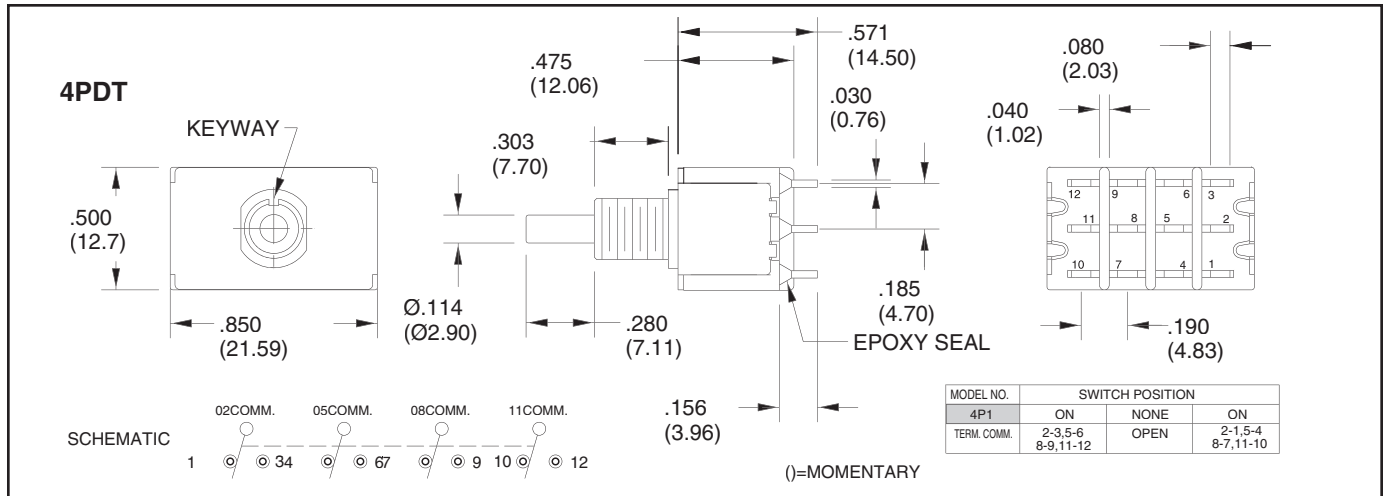


**DIMENSIONS** in inches (and millimeters)

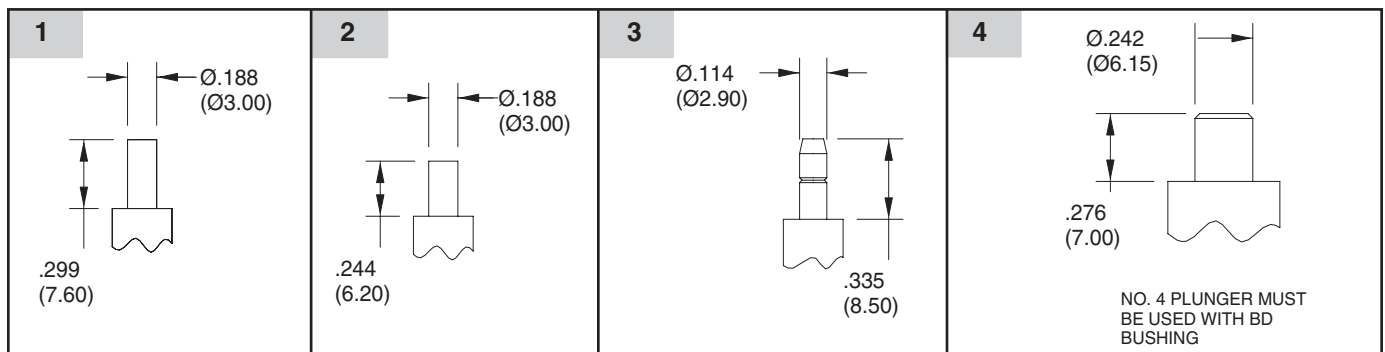


Pushbutton Switches

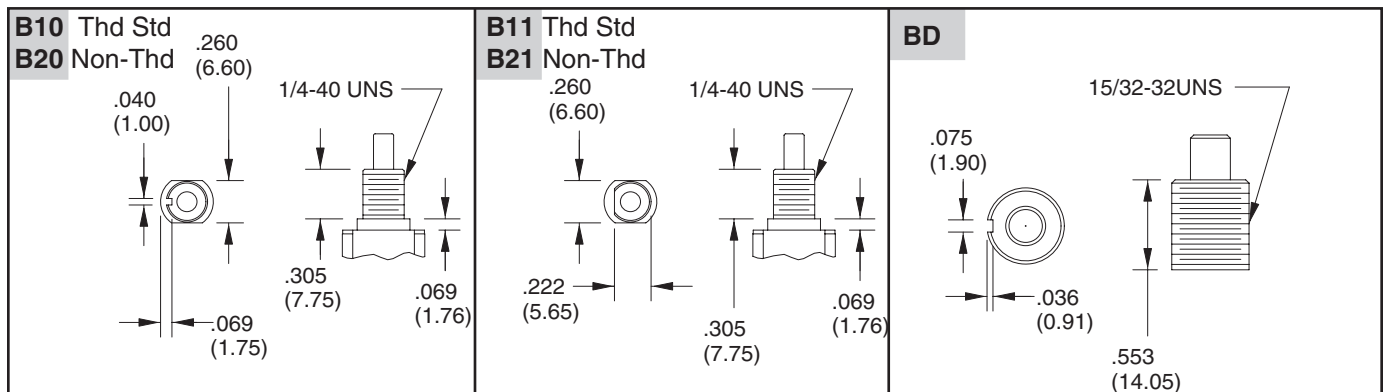
## TERMINATION OPTIONS in inches (and millimeters)



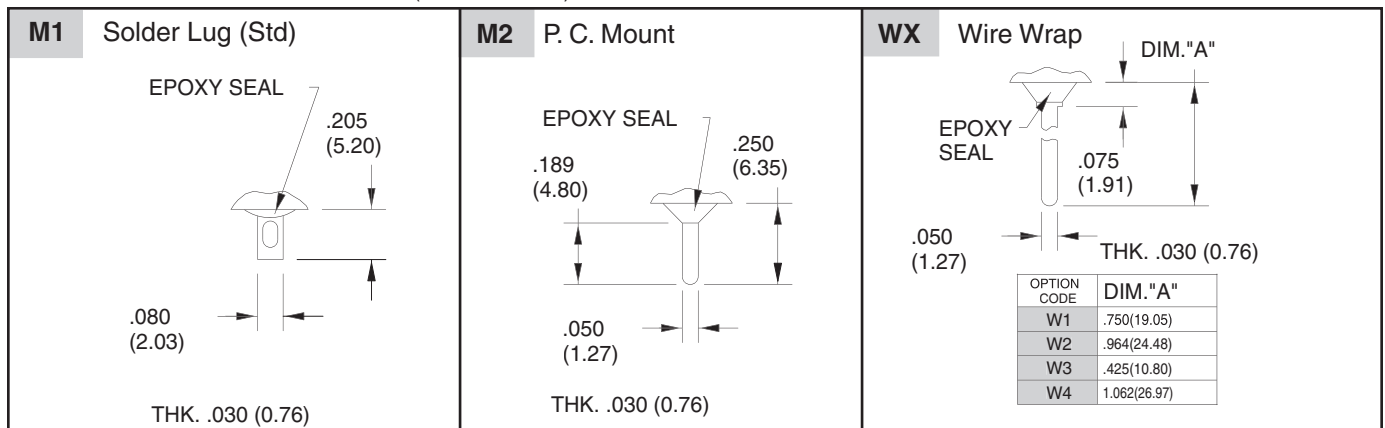
## PLUNGER OPTIONS in inches (and millimeters)



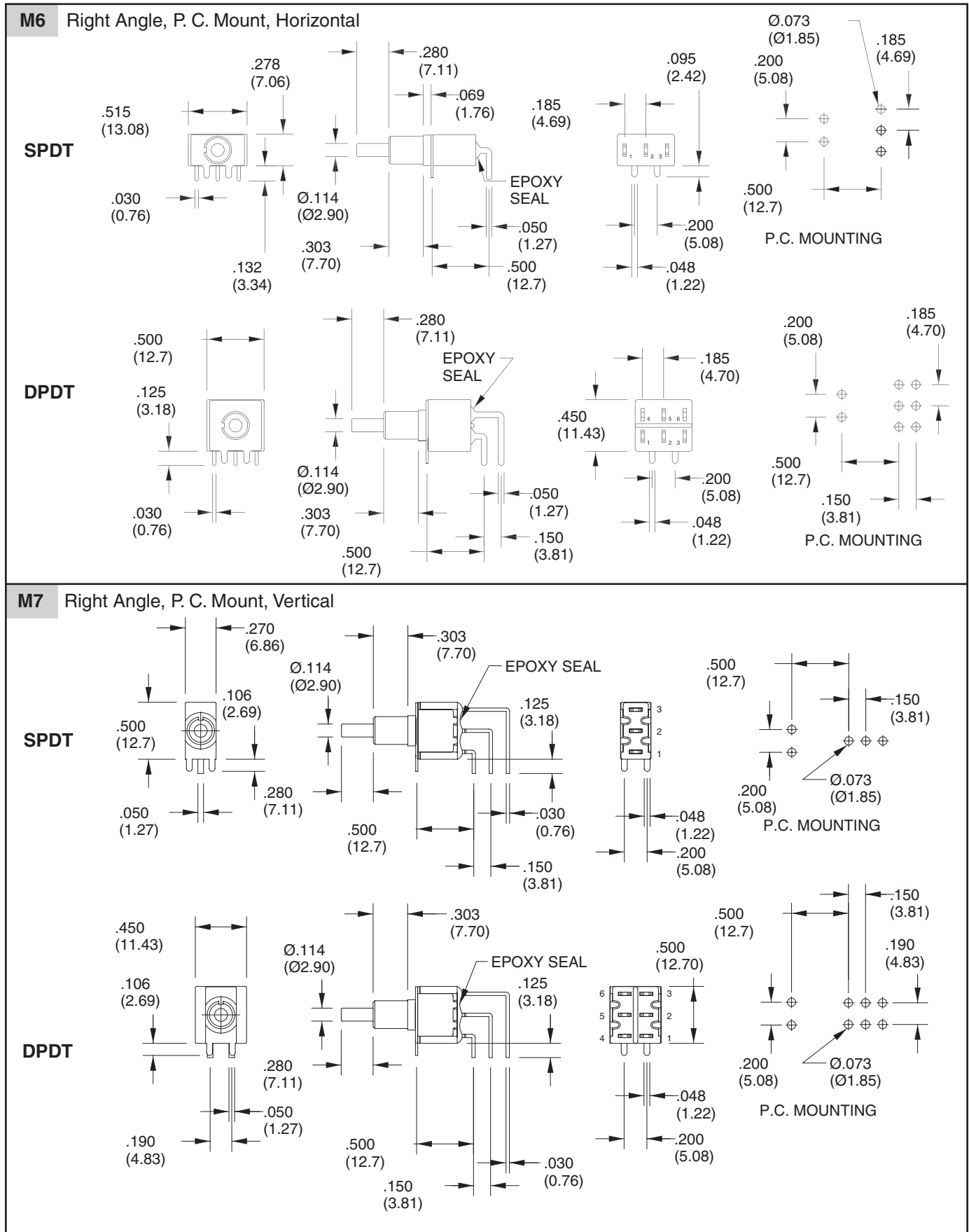
## BUSHING OPTIONS in inches (and millimeters)



## TERMINATION OPTIONS in inches (and millimeters)

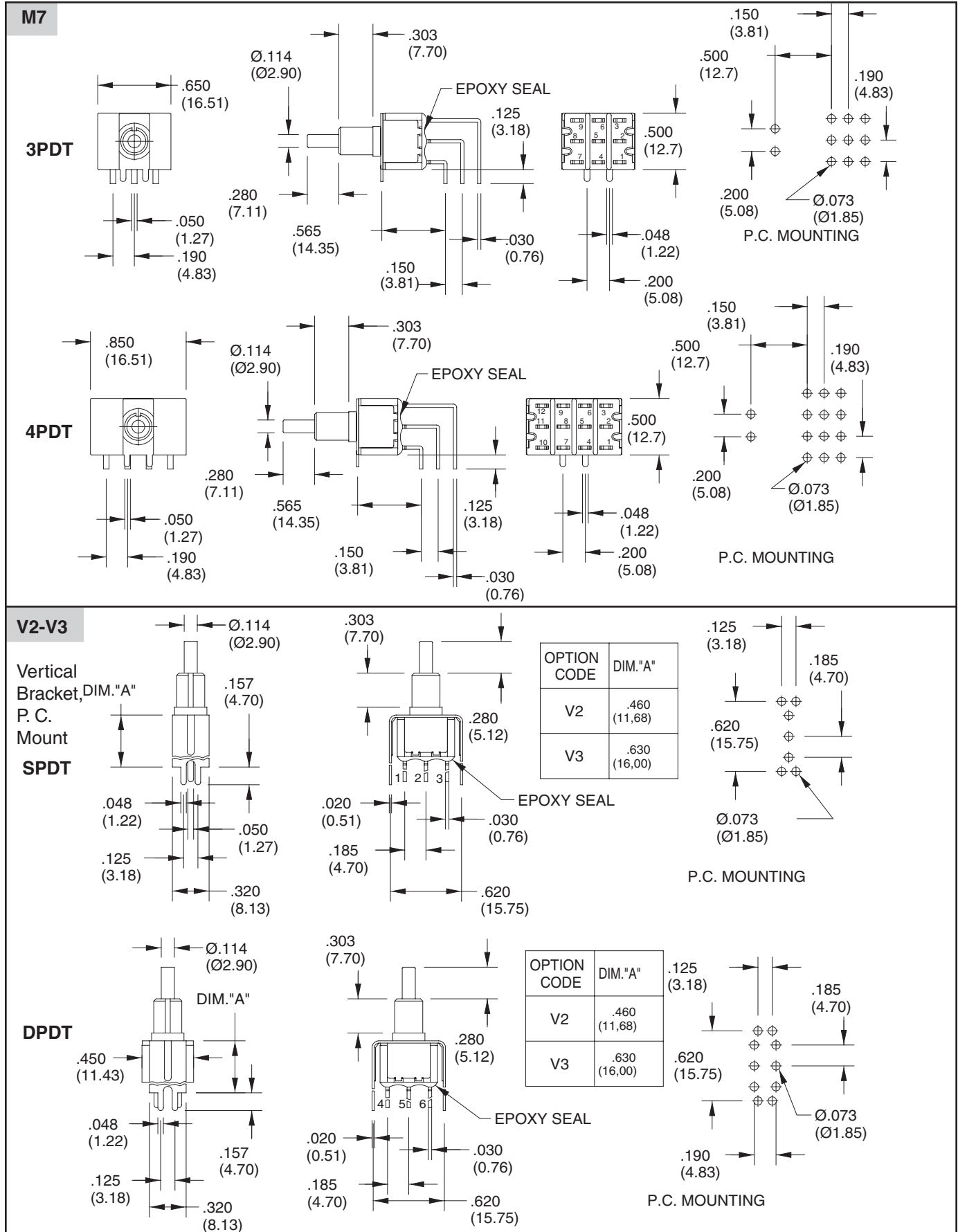


**TERMINATION OPTIONS (CONT.)** in inches (and millimeters)

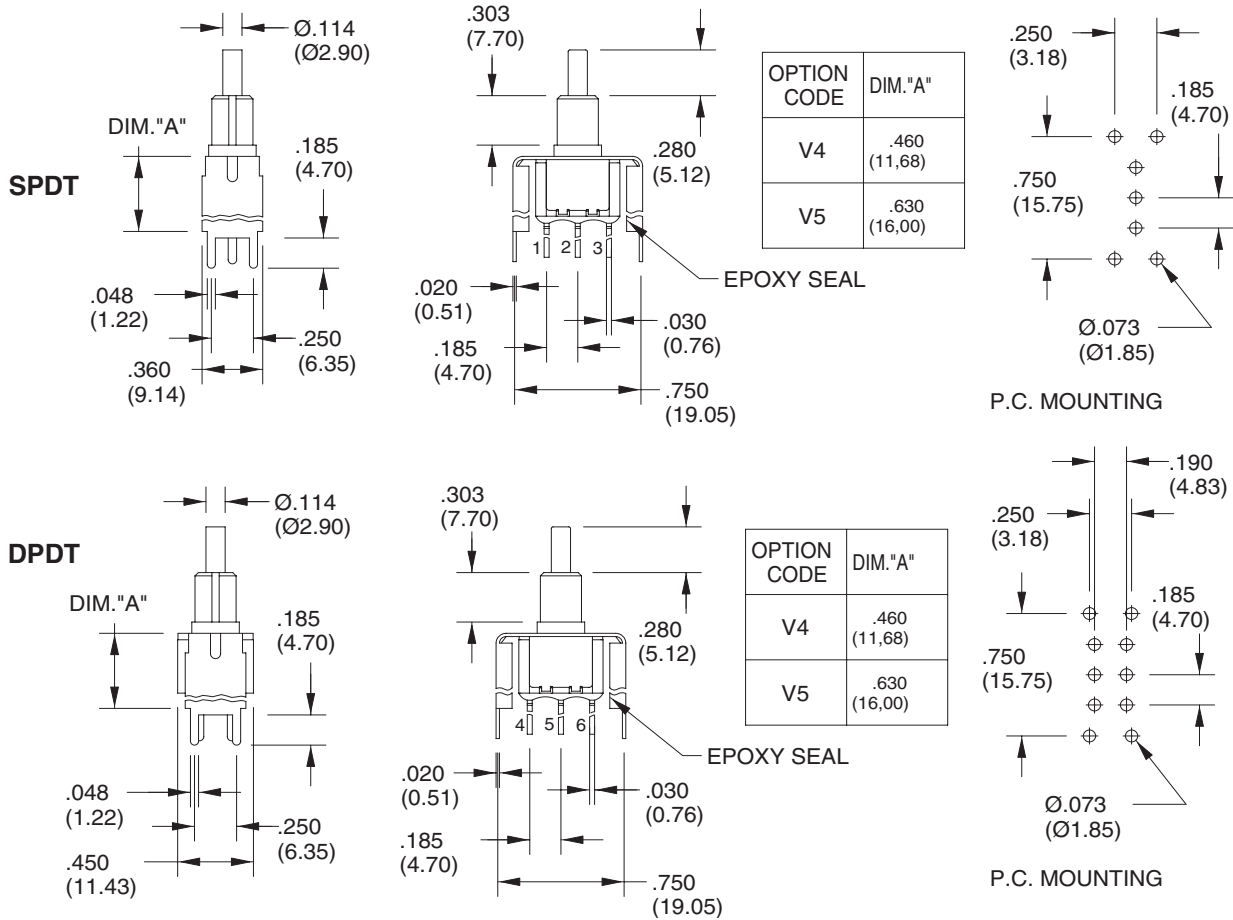


Pushbutton Switches

TERMINATION OPTIONS (CONT.) in inches (and millimeters)



**V4-V5 Vertical Bracket, P. C. Mount**



**SPECIFICATIONS**

**RATINGS**

**Contact Rating:** Q & G option - 6A @ 125 VAC or 28 VDC or 28 VDC; 3A @ 250 VAC.  
 R option - 0.4 VA max @ 20 Vmax (AC or DC)  
**Electrical Life:** 50,000 make-and-break cycles at full load

**Contact Resistance:** 10 milliohms max. initial @ 2-4 VDC, 100 mA  
**Insulation Resistance:** 1,000 megaohms minimum  
**Dielectric Strength:** 1,500 V RMS @ sea level  
**Operating Temperature:** -30°C to 85°C

**MATERIALS**

**Case:** Diallyl phthalate (DAP) (UL94V-0)  
**Plunger:** Glass filled nylon or glass filled polyester  
**Bushing:** Zinc, nickel plated  
**Housing:** Stainless steel  
**Terminal Seal:** Epoxy

**ORDERING INFORMATION**

SERIES	MODEL NO.	PLUNGER	BUSHING	TERMINATION	CONTACT	ROHS
<b>38D</b>	<b>SP1</b>	<b>1</b>	<b>B10</b>	<b>M1</b>	<b>Q</b>	<b>T</b>
38D = Alternate Action Pushbutton Switches	Options: SP1, DP1, 3P1, 4P1 (see models for switching positions)	Options: 1, 2, 3, 4 (see plunger options)	Options: B10, B11, B20, B21, BD (see bushing options)	Options: M1, M2, M6, M7, S2, S6 V2, V3, V4, V5, W1, W2, W3, W4 (see termination options)	R = Copper alloy, gold plate over nickel plate.  Q = Copper alloy, silver plated  G=Gold plate over silver plate	T = Lead Free and RoHS Compliant

Pushbutton Switches