

PART NAME

NEMA 4X DIE CAST ALUMINUM ENCLOSURE

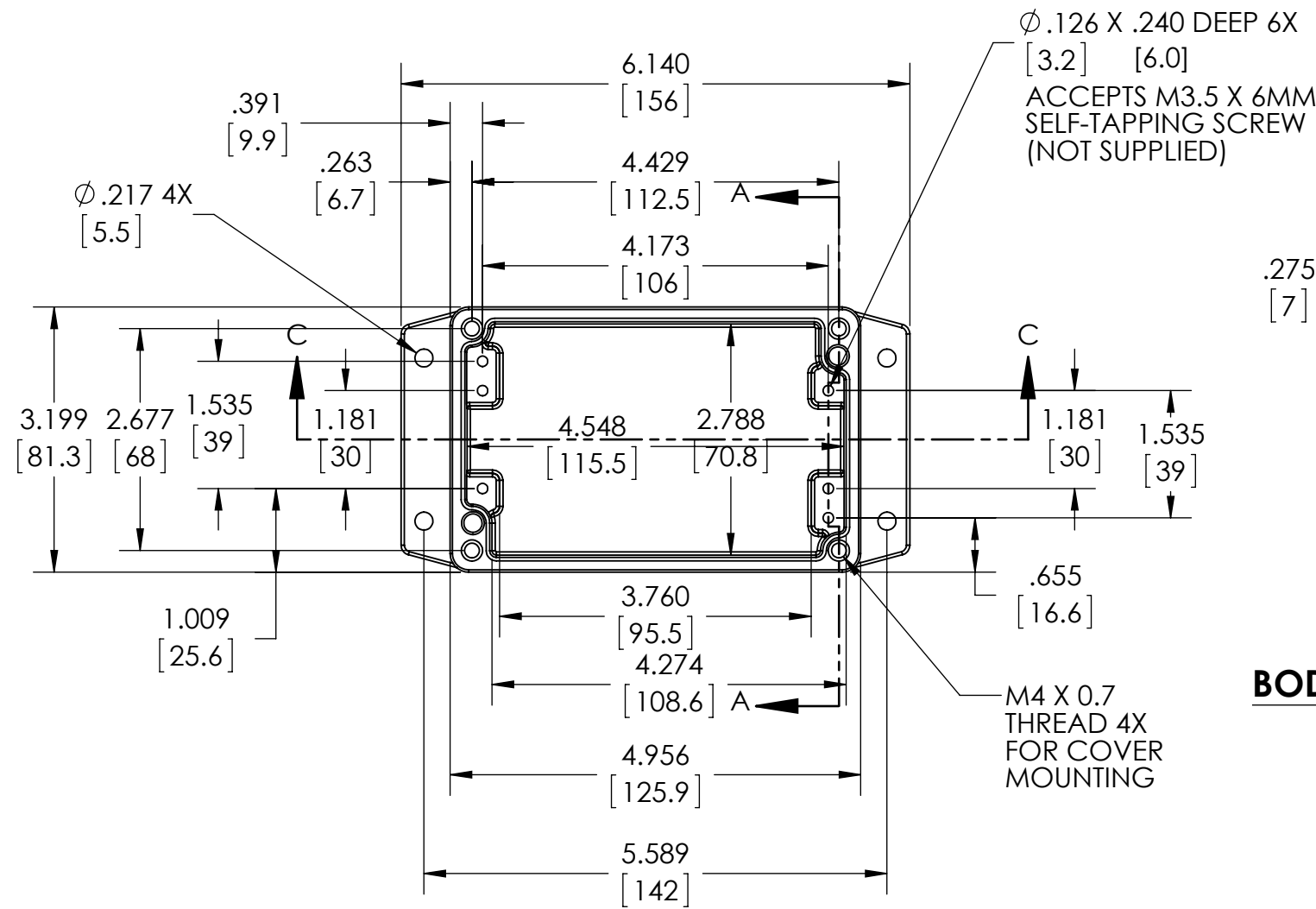
PART No.

AN-2864

AN-2864-B

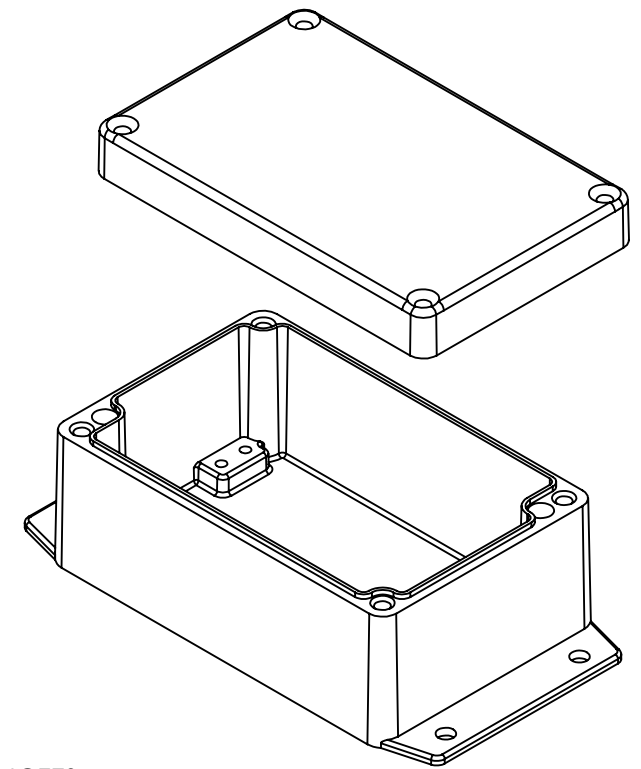
REVISION DATE

3-19-14

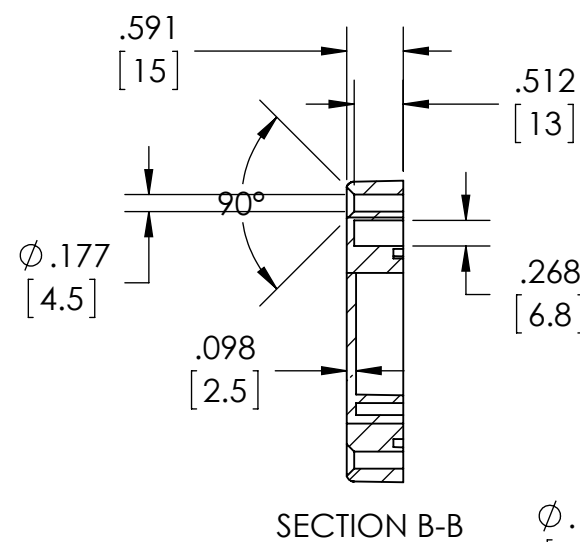
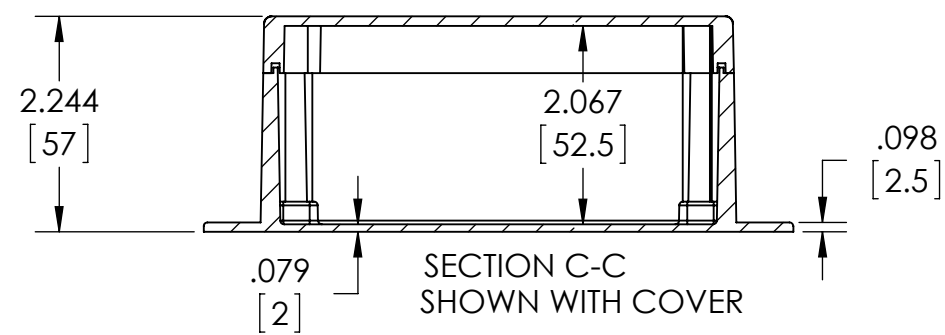


**BODY**

SECTION A-A



- NOTES:
- 1- MATERIAL: ALUMINUM ALLOY ADC-12
  - 2- FINISH: NATURAL (NO SUFFIX) BLACK (SUFFIX -B)
  - 3- FOUR (4) M4 X 0.7mm SCREWS SUPPLIED FOR ASSEMBLY OF COVER TO BODY
  - 4- ALL HOLE DIAMETERS HAVE  $\pm .005$ [.12] TOLERANCE. ALL OTHER DIMENSIONS HAVE  $\pm .015$ [.38] TOLERANCE.
  - 5- ALL OUTSIDE DRAFT ANGLE: 1° ALL INSIDE DRAFT ANGLE: 1/2°
  - 6- DIMENSIONS ARE INCH[MM]



**COVER**

