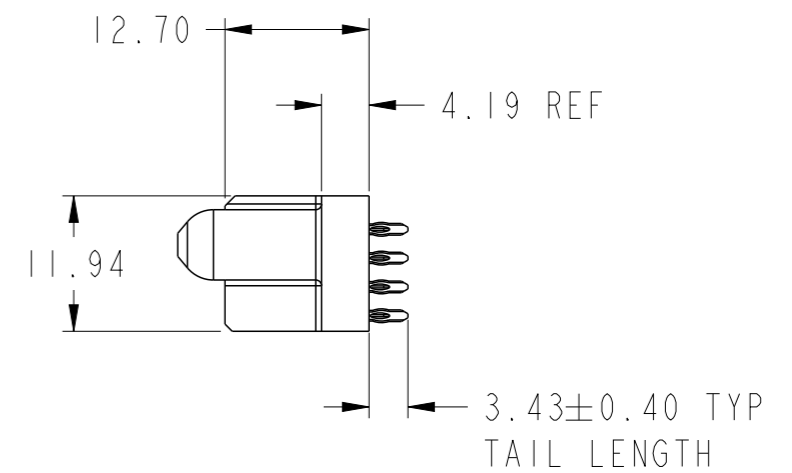
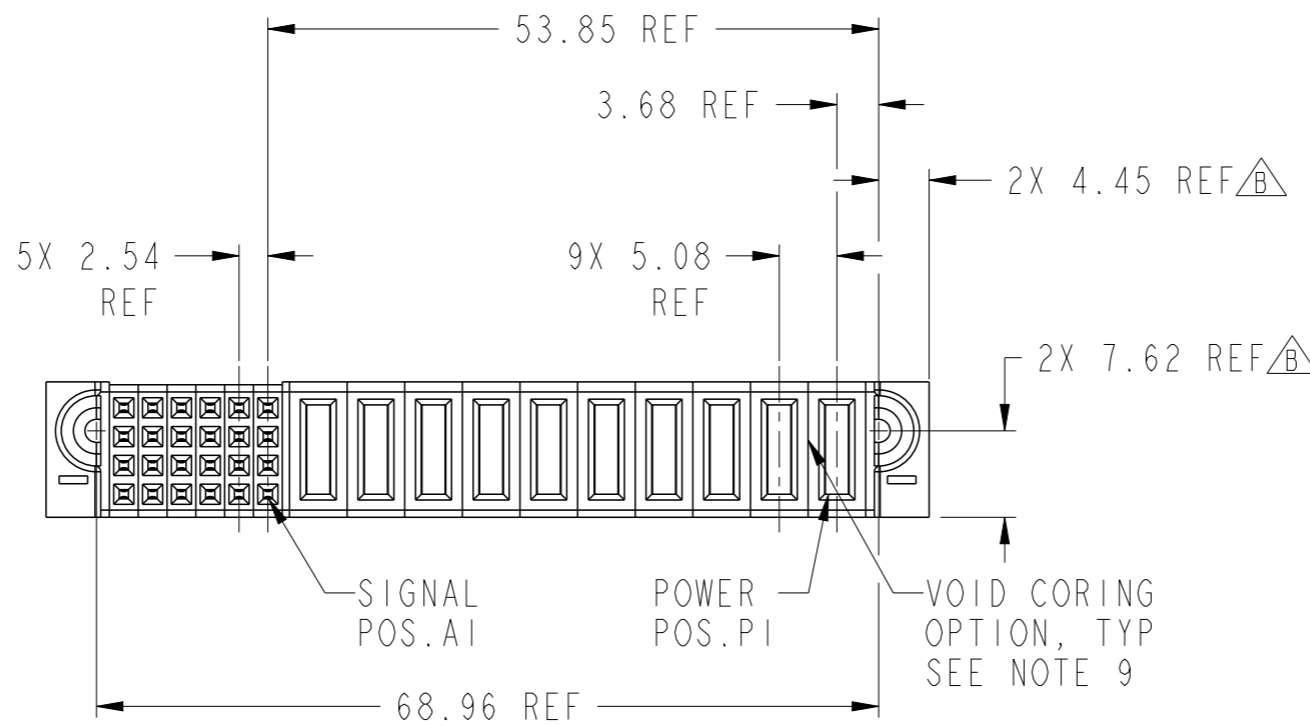
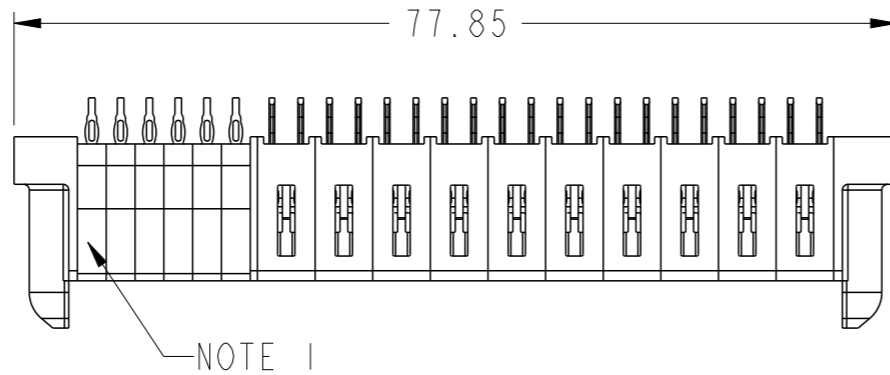
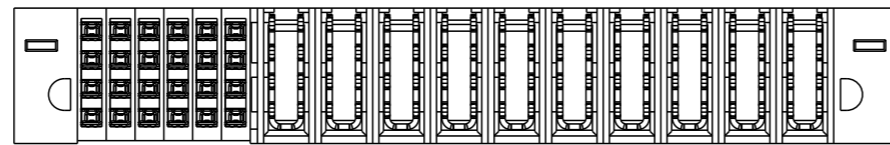


PART NUMBER 10106139-A006001LF



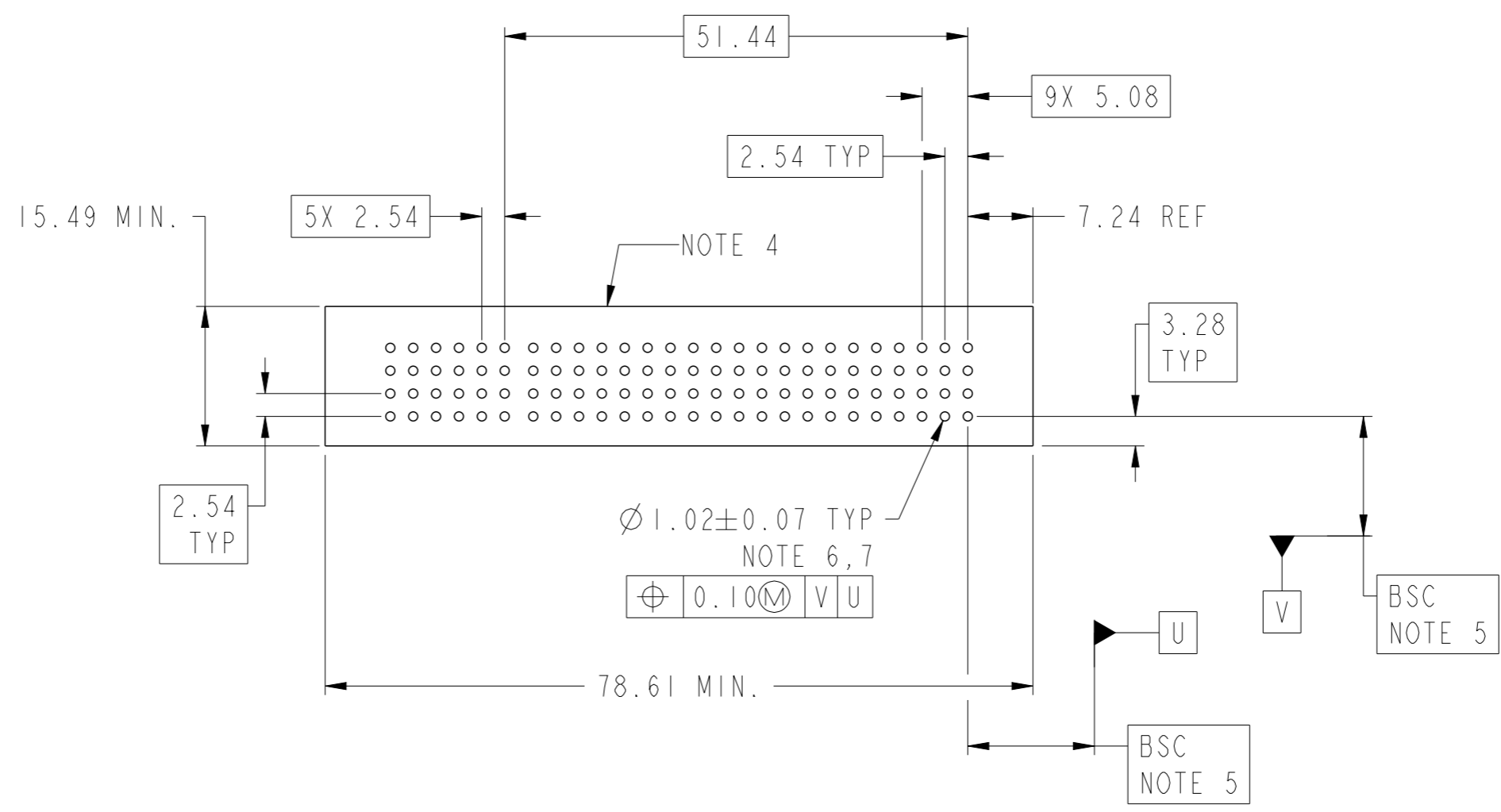
spec ref	-	dr	Peng-Bing Fu	2012/02/29	projection	mm	size	A3	scale	3:2					
tolerance std	ISO 406 ISO 1101	eng	Peng-Bing Fu	2012/11/13			ecn no	ELX-DG-013146-1							
TOLERANCES UNLESS OTHERWISE SPECIFIED		chr	Tian-Xu Huang	2012/11/13			product family	PwrBlade+	rel level	Released					
surface	✓	appr	Pei-Ming Zheng	2012/11/13			dwg no	10106139-A006001		rev	B				
ISO 1302	linear	<table border="1"> <tr><td>0.X</td><td>±0.50</td></tr> <tr><td>0.XX</td><td>±0.25</td></tr> <tr><td>0.XXX</td><td>±0.10</td></tr> </table>		0.X	±0.50	0.XX	±0.25	0.XXX	±0.10	cat. no.	-	Product - Customer Drw		sheet 1 of 3	
0.X	±0.50														
0.XX	±0.25														
0.XXX	±0.10														
	angular	<table border="1"> <tr><td>0°</td><td>±2°</td></tr> </table>		0°	±2°			10HDP + 24S VERTICAL PF RECEPTACLE							
0°	±2°														



Copyright FCI.

PRODUCT NUMBER	ROWS	SIGNAL					HIGH POWER									
		6	5	4	3	2	1	P10	P9	P8	P7	P6	P5	P4	P3	P2
10106139-A006001LF	D C B A	S S S S S					H H H H H H H H H H H H H H H H									

CODE	DESCRIPTION
H	STD HIGH POWER CONTACT
S	STD SIGNAL CONTACT



Copyright FCI.

dr	Peng-Bing Fu	2012/02/29	projection 	mm	size	A3	scale	3:2			
eng	Peng-Bing Fu	2012/11/13			ecn no	ELX-DG-013146-1					
chr	Tian-Xu Huang	2012/11/13			product family	PwrBlade+	rel level	Released			
appr	Pei-Ming Zheng	2012/11/13	FCI		title	10HDP + 24S VERTICAL PF RECEPTACLE		dwg no	10106139-A006001	rev	B
www.fci.com			cat. no.	-	Product - Customer Drw			sheet 2 of 3			

A

B

C

D

A

B

C

D

NOTES:

- 1) "FCI", PART NUMBER AND DATE CODE TO BE MARKED ON THIS SURFACE.
THE P/N CAN BE OMITTED IF THERE IS NOT ENOUGH SPACE ON THIS SURFACE.
- 2) MATERIALS:
-HOUSING - GLASS FILLED WITH HIGH TEMP THERMOPLASTIC, UL94V-0.
-SIGNAL CONTACT - COPPER ALLOY.
-POWER CONTACT - HIGH CONDUCTIVITY COPPER ALLOY.
- 3) PLATING SPECIFICATION REFER TO FCI 10116351.
- 4) DENOTES CONNECTOR KEEP OUT ZONE.
- 5) DATUM AND BASIC DIMENIONS WERE ESTABLISHED BY CUSTOMER.
- 6) ALL HOLE DIAMETERS ARE FINISHED HOLE SIZES.
- 7) 1.15 ± 0.025 MM DRILLED HOLE PLATED WITH 0.00762MM MIN Sn
OVER 0.0254-0.0762MM Cu PLATING TO ACHIEVE A 1.02 ± 0.07 MM HOLE.
- 8) PRODUCT SPECIFICATION REFER TO FCI GS-12-658.
APPLICATION SPECIFICATION REFER TO FCI GS-20-141.
PRODUCT PACKAGED IN TRAYS, REFER TO FCI GS-14-1502.
- 9) THE VOID CORING IN BETWEEN POWER MODULES, SIGNAL
MODULES AND END MODULES ARE OPTIONAL AND THE SHAPE
MAY BE DIFFERENT FOR OPTIMIZE THE MOLDING PROCESS. THE
VOID CORING WILL NOT EFFECT TO PRODUCT FUNCTION.
- 10) \triangle SYMBOL WILL BE NEXT TO ANY DIMENSION, VIEW, OR NOTE
WHICH HAS BEEN MODIFIED WITH THE CURRENT DRAWING REVISION.



Copyright FCI.

dr	Peng-Bing Fu	2012/02/29	projection 	mm 	size	A3	scale	1:1
eng	Peng-Bing Fu	2012/11/13			ecn no	ELX-DG-013146-1		
chr	Tian-Xu Huang	2012/11/13			product family	PwrBlade+	rel level	Released
appr	Pei-Ming Zheng	2012/11/13			title 10HDP + 24S VERTICAL PF RECEPTACLE	dwg no 10106139-A006001	rev B	
www.fci.com		cat. no.	-		Product - Customer Drw		sheet 3 of 3	