

THE INFORMATION CONTAINED HEREIN IS CONSIDERED "PROPRIETARY" TO BEL FUSE INC. AND SHALL NOT BE COPIED, REPRODUCED OR DISCLOSED WITHOUT THE WRITTEN APPROVAL OF BEL FUSE INC.

RoHS
2002/95/EC



LED2 & LED4 POLARITY			LED1 & LED3 POLARITY		
PIN 11	PIN 12	COLOR	PIN 13	PIN 14	COLOR
+	-	GREEN	+	-	GREEN
-	+	ORANGE	-	+	ORANGE

ELECTRICAL CHARACTERISTICS @ 25°C

URNS RATIO

TP1	1CT : 1CT ±2%
TP2	1CT : 1CT ±2%
TP3	1CT : 1CT ±2%
TP4	1CT : 1CT ±2%

QCL @ 100kHz/100mVRMS

8mA DC BIAS 350µH MIN.

INS. LOSS

0.1MHz TO 1MHz	-1.1 dB MAX
1MHz TO 65MHz	-0.5 dB MAX
65MHz TO 100MHz	-0.8 dB MAX
100MHz TO 125MHz	-1.2 dB MAX

RET. LOSS (MIN)

0.5MHz-40MHz	-18 dB
40MHz-100MHz	-12+20LOG(f/80MHz) dB

CM TO CM REJ

100kHz - 100MHz -30 dB MIN

CM TO DM REJ

100kHz - 100MHz -35 dB MIN

HIPOT (Isolation Voltage):

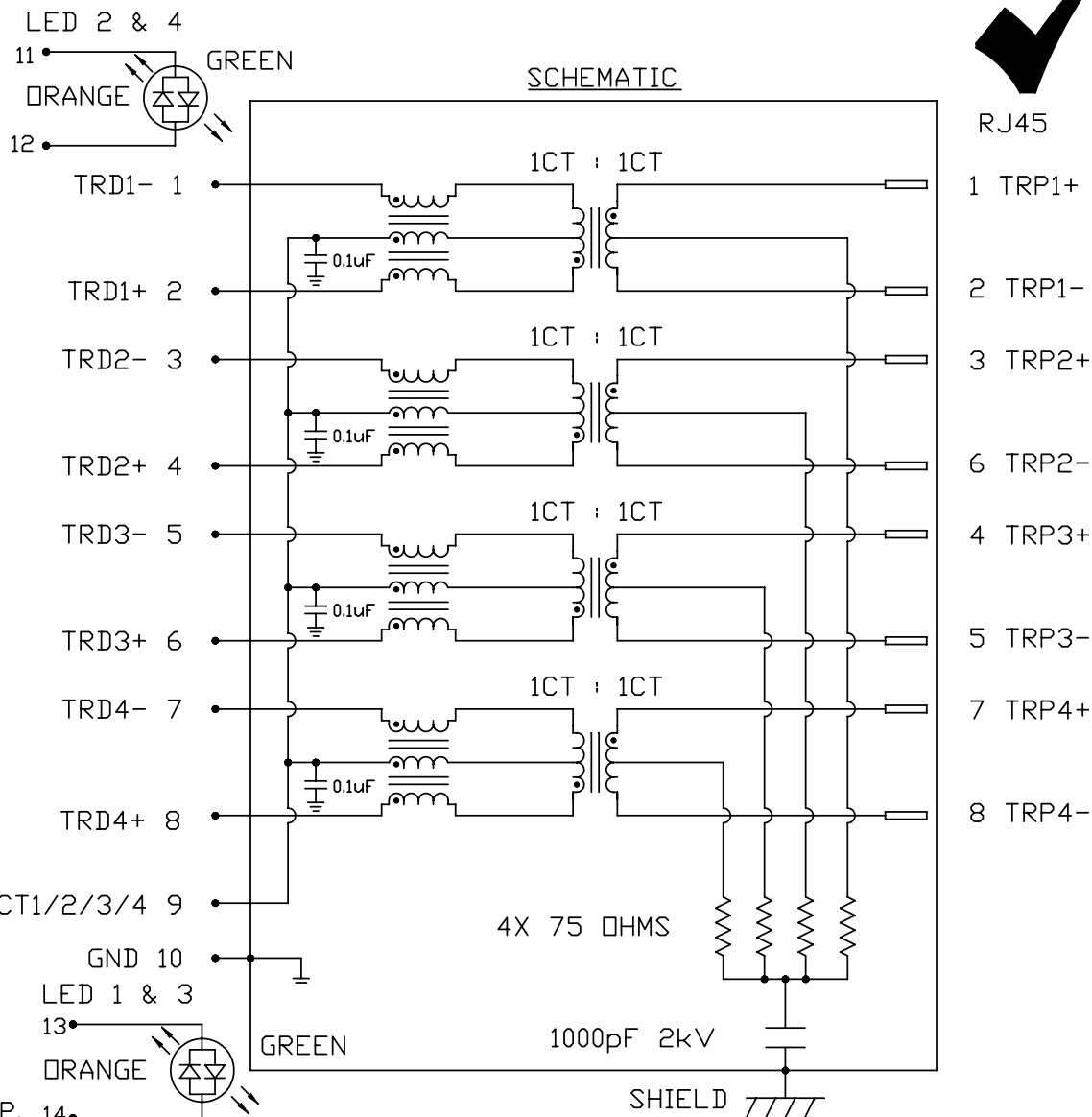
1500 Vrms

100% OF PRODUCTION TESTED TO COMPLY WITH

IEEE 802.3 ISOLATION REQUIREMENTS.

LED 1 & 2 & 3 & 4

VF (FORWARD VOLTAGE)	IF=20mA	GREEN	2.2V TYP.
		ORANGE	2.0V TYP.
λD (DOMINANT WAVELENGTH)	IF=20mA	GREEN	565nm TYP.
		ORANGE	610nm TYP.



RJ45

1 TRP1+

2 TRP1-

3 TRP2+

6 TRP2-

4 TRP3+

5 TRP3-

7 TRP4+

8 TRP4-

ORIGINATED BY	DATE
CHOW WANCHUNG	01-13-09
DRAWN BY	DATE
WEIDE LEE	01-13-09

TITLE
2X4 glgabit MagJack® COMPRESSOR SERIES (8 Cores)

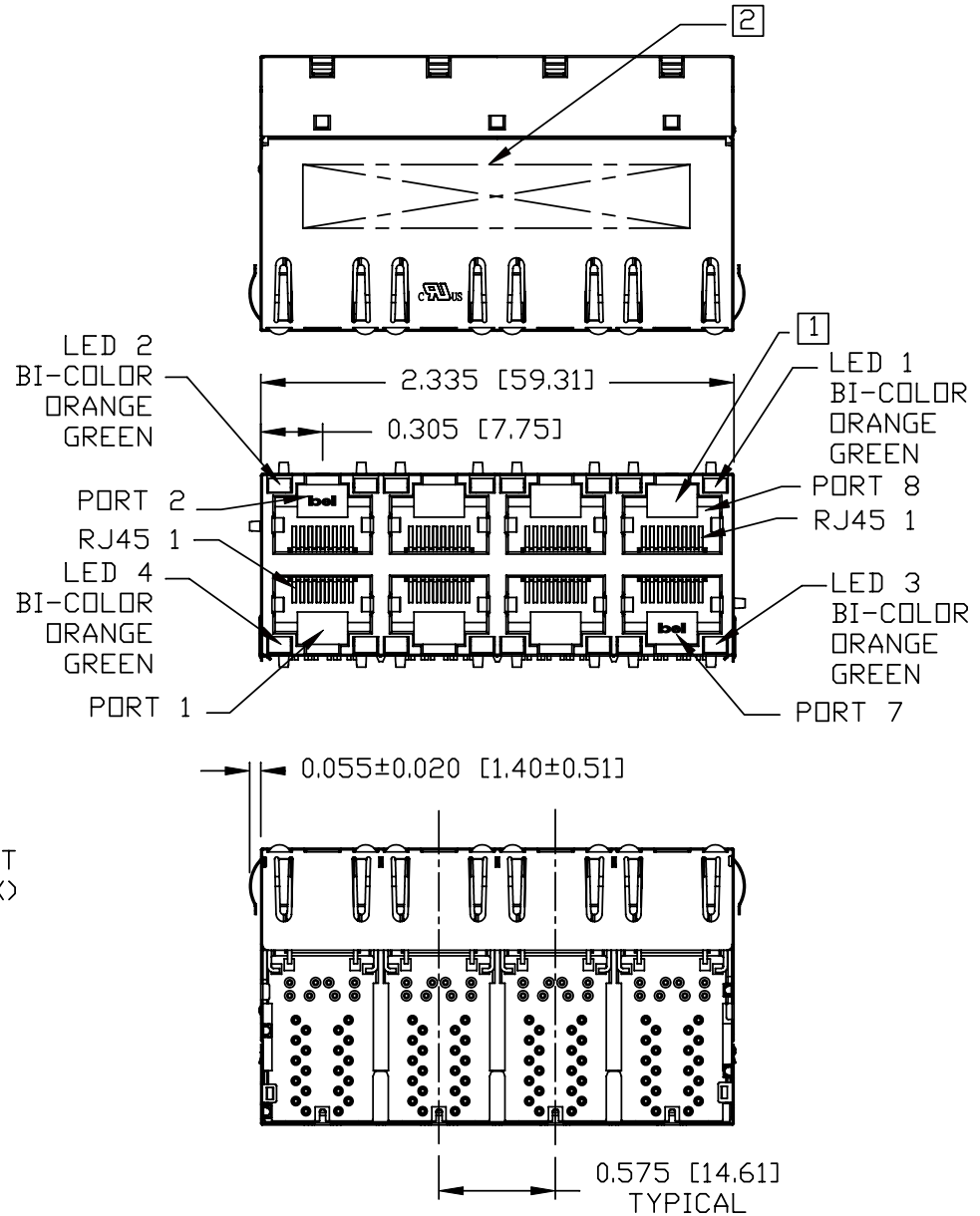
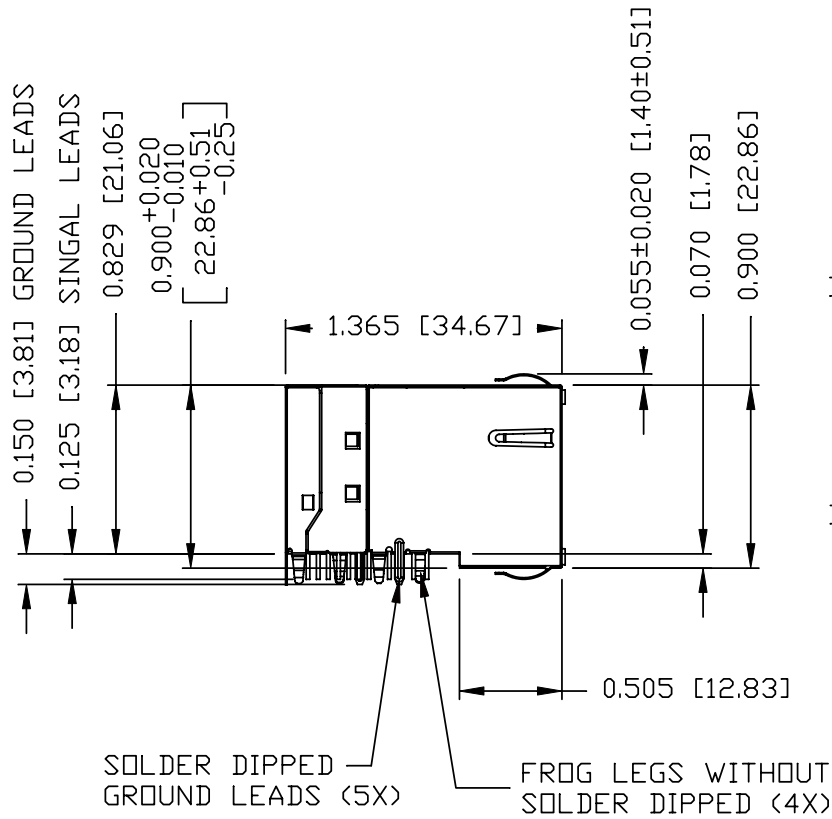
PART NO. / DRAWING NO.
C855-2B4R-54
FILE NAME
C855-2B4R-54_B.DWG

STANDARD DIM.	[] METRIC DIM. AS REFERENCE
TOL. IN INCH	UNIT : INCH [mm]
.X	REV. : B
.XX	SCALE : N/A
.XXX	SIZE : A4
	PAGE : 2



THE INFORMATION CONTAINED HEREIN IS CONSIDERED 'PROPRIETARY' TO BEL FUSE INC. AND SHALL NOT BE COPIED, REPRODUCED OR DISCLOSED WITHOUT THE WRITTEN APPROVAL OF BEL FUSE INC.

RoHS
2002/95/EC



ORIGINATED BY	DATE
HOWFAR WEI	01-13-09
DRAWN BY	DATE
JOLLY LUO	01-13-09

TITLE
2X4 glgabit MagJack® COMPRESSOR SERIES (8 Cores)

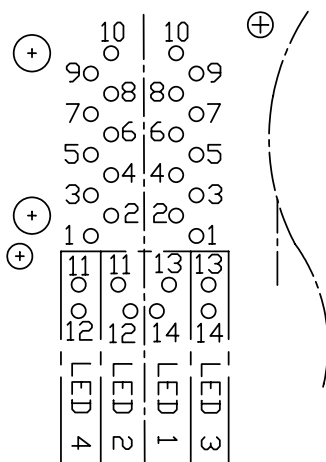
PART NO. / DRAWING NO.
C855-2B4R-54
FILE NAME
C855-2B4R-54_B.DWG

STANDARD DIM.	[] METRIC DIM. AS REFERENCE
TOL. IN INCH	UNIT : INCH [mm]
.X	REV. : B
.XX	SCALE : N/A
.XXX ±0.010	SIZE : A4
	PAGE : 3



THE INFORMATION CONTAINED HEREIN IS CONSIDERED "PROPRIETARY" TO BEL FUSE INC. AND SHALL NOT BE COPIED, REPRODUCED OR DISCLOSED WITHOUT THE WRITTEN APPROVAL OF BEL FUSE INC.

RoHS
2002/95/EC



14	GREEN(-) ORANGE(+)
13	GREEN(+) ORANGE(-)
12	GREEN(-) ORANGE(+)
11	GREEN(+) ORANGE(-)
10	GND
9	TRCT1/2/3/4
8	TRD 4+
7	TRD 4-
6	TRD 3+
5	TRD 3-
4	TRD 2+
3	TRD 2-
2	TRD 1+
1	TRD 1-

LED FOR LOWER DECK → LED FOR UPPER DECK

PIN-OUT INFORMATION
(COMPONENT SIDE VIEW)

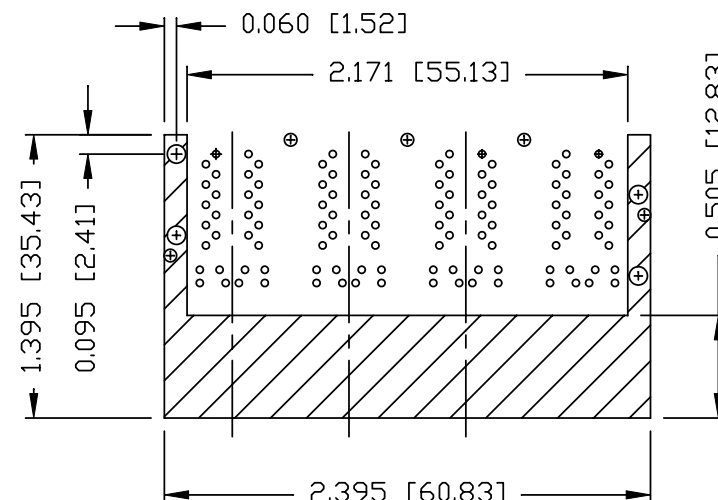
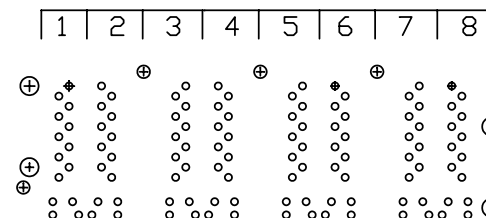
NOTES:

PLASTIC HOUSING: THERMOPLASTIC PBT
FLAMMABILITY RATING UL 94V-0
CONTACT PLATING: 30 MICRO-INCH HARD GOLD PLATING
OUTPUT PINS: TIN-COATED COPPER WIRE, DIA 0.018 INCH.
METAL SHIELD: NICKEL PLATED ON COPPER ALLOY.
(ALL GROUND LEADS ARE SOLDER DIPPED)
FRDG LEGS ARE FOR PCB RETENTION FORCE ONLY
AND NOT FOR GROUNDING PURPOSE

1. JACK CAVITY CONFORMS TO FCC RULES AND REGULATIONS, PART 68 SUBPART F.
2. MARK PART WITH MFG LOGO, MFG NAME, PART NUMBER, AND DATE CODE.

c us UL RECOGNIZED - FILE #E196366 AND E169987.
RoHS COMPLIANCE, PER EU DIRECTIVE 2002/95/EC.

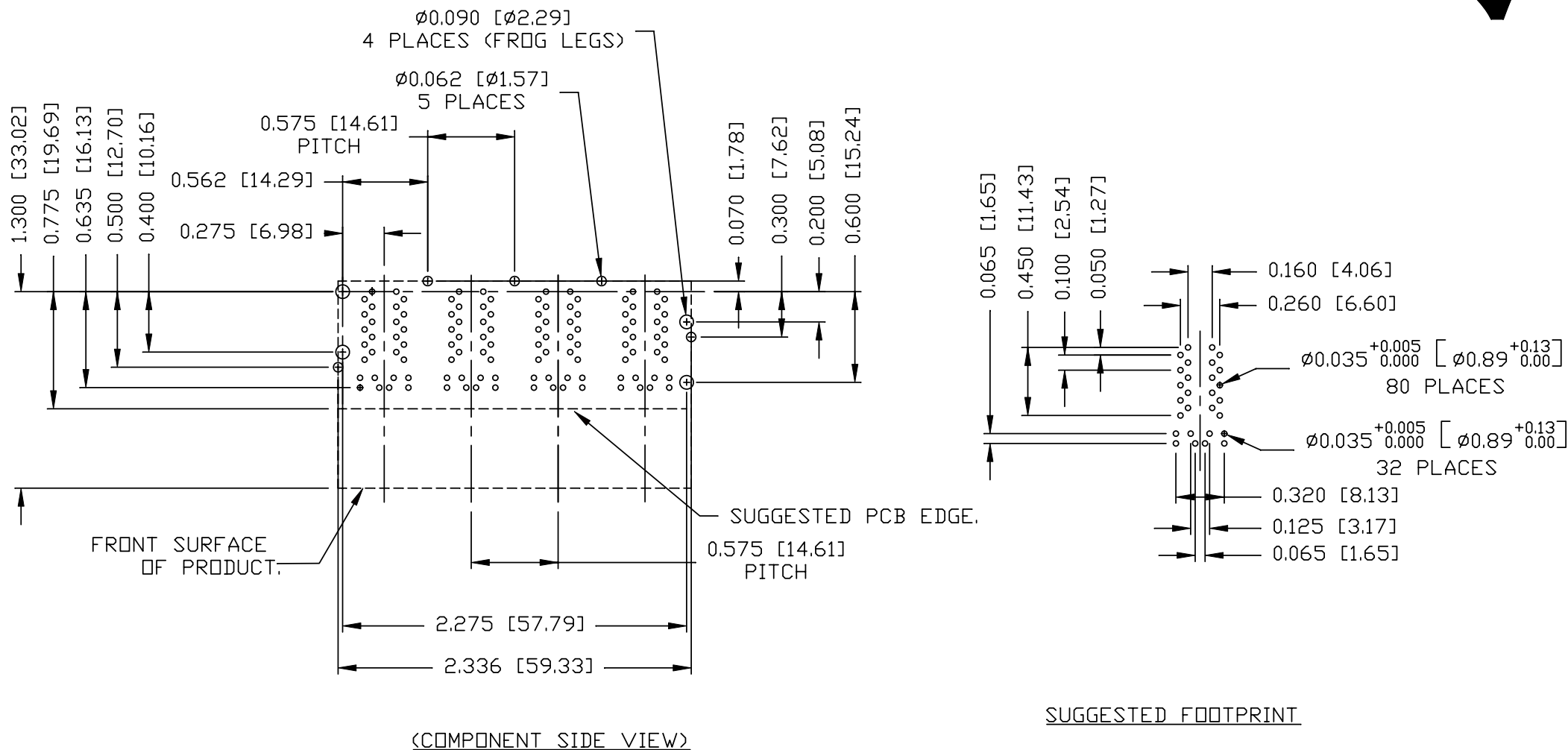
PORT ASSIGNMENT
(COMPONENT SIDE VIEW)



THE SHADED AREA ON THE CUSTOMER BOARD ARE RECOMMENDED TO BE CLEAR OFF ANY VIA HOLE OR COMPONENT PAD.

ORIGINATED BY HOWFAR WEI	DATE 01-13-09	TITLE 2X4 glgabit MagJack® COMPRESSOR SERIES (8 Cores)	PART NO. / DRAWING NO. C855-2B4R-54	STANDARD DIM. TOL. IN INCH		[] METRIC DIM. AS REFERENCE		
	DRAWN BY JOLLY LUO			DATE 01-13-09	FILE NAME C855-2B4R-54_B.DWG	.X .XX .XXX	±0.004	

THE INFORMATION CONTAINED HEREIN IS CONSIDERED "PROPRIETARY" TO BEL FUSE INC. AND SHALL NOT BE COPIED, REPRODUCED OR DISCLOSED WITHOUT THE WRITTEN APPROVAL OF BEL FUSE INC.



ORIGINATED BY HOWFAR WEI	DATE 01-13-09	TITLE 2X4 gigabit MagJack® COMPRESSOR SERIES (8 Cores)	PART NO. / DRAWING NO. C855-2B4R-54		STANDARD DIM. TOL. IN INCH		[] METRIC DIM. AS REFERENCE	
	DRAWN BY JOLLY LUO		DATE 01-13-09	FILE NAME C855-2B4R-54_B.DWG	.X .XX .XXX	±0.004	UNIT : INCH [mm] SCALE : N/A	REV. : B SIZE : A4 PAGE : 5

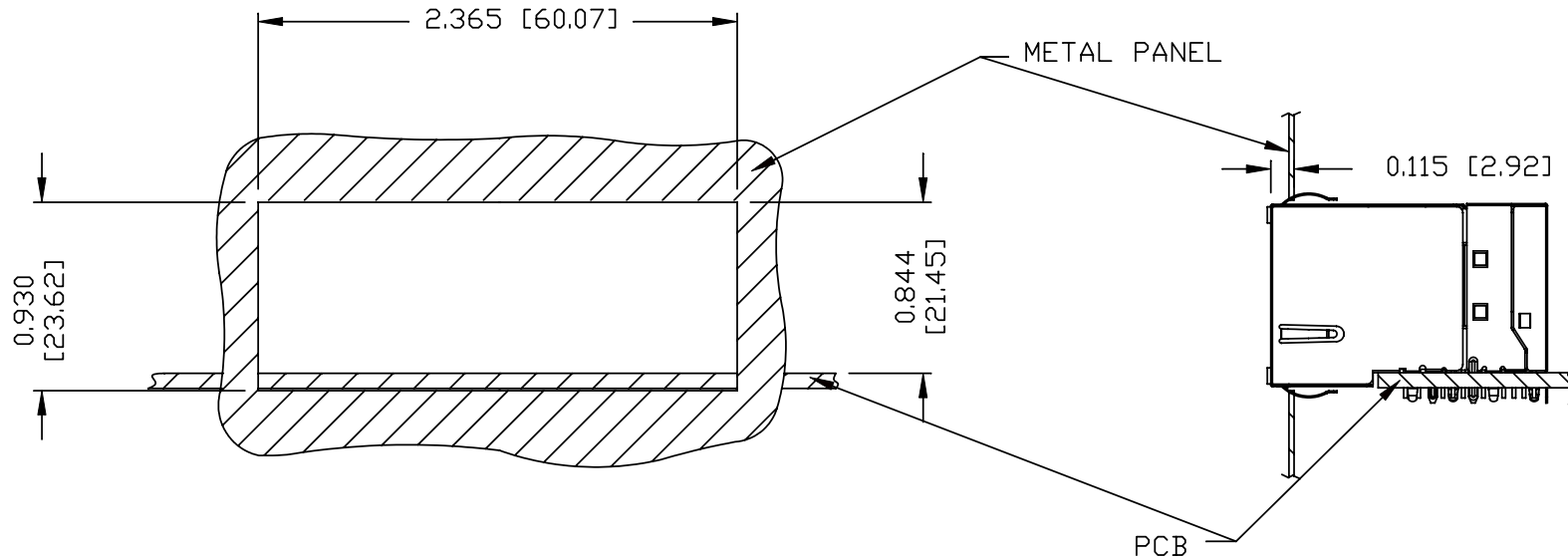


THE INFORMATION CONTAINED HEREIN IS CONSIDERED 'PROPRIETARY' TO BEL FUSE INC. AND SHALL NOT BE COPIED, REPRODUCED OR DISCLOSED WITHOUT THE WRITTEN APPROVAL OF BEL FUSE INC.

RoHS
2002/95/EC



SUGGESTED PANEL OPENING



NOTE:

THE DISTANCE OF PANEL INSIDE SURFACE RELATIVE TO FRONT SURFACE OF PART IS ONLY A SUGGESTION. IN CASE THIS DISTANCE IS DIFFERENT, THE REQUIRED PANEL OPENING DIMENSIONS CHANGE ACCORDINGLY.

PACKING INFORMATION

PACKING TRAY : 0200-9999-L1 (TOP)

0200-9999-L2 (BOTTOM)

PACKING QUANTITY : 20 PCS FINISHED GOODS PER TRAY.

6 TRAYS (120 PCS FINISHED GOODS) PER CARTON BOX.

NOTE : CARDBOARDS ARE PLACED BETWEEN LAYERS OF PACKING TRAY INSIDE CARTON BOX.

(INCLUDE THE UPPERMOST AND LOWERMOST TRAY)

ORIGINATED BY	DATE	TITLE	PART NO. / DRAWING NO.	STANDARD DIM. TOL. IN INCH	[] METRIC DIM. AS REFERENCE	
HOWFAR WEI	01-13-09	2X4 gigabit MagJack® COMPRESSOR SERIES (8 Cores)	C855-2B4R-54	.X	UNIT : INCH [mm]	
DRAWN BY	DATE			.XX	SCALE : N/A	REV. : B
JOLLY LUO	01-13-09			.XXX	±0.004	SIZE : A4
			FILE NAME		PAGE : 6	
			C855-2B4R-54_B.DWG			

