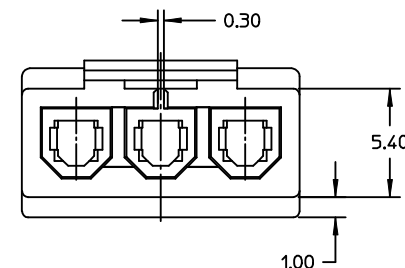
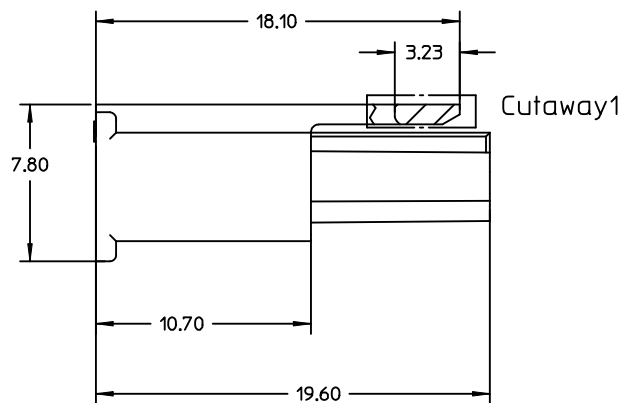
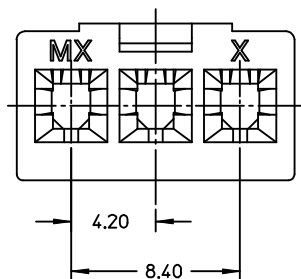
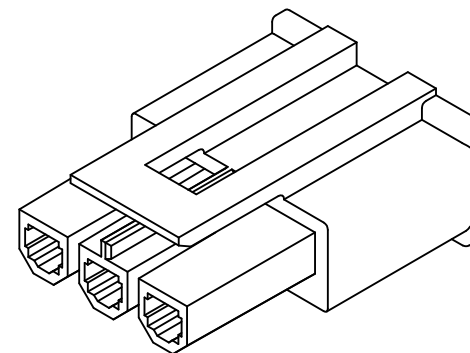
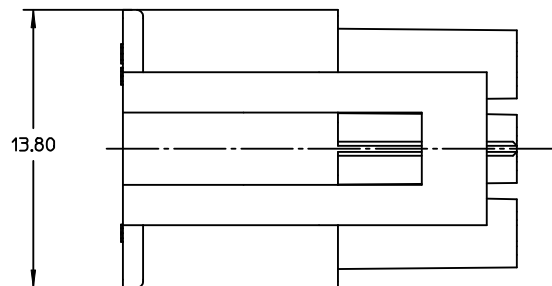


NOTES:  
 1.MATERIAL:  
 HOUSING:POLYIMIDE,UL94V-0,COLOR:LAVENDER  
 2.FINISH:N/A  
 3.PRODUCT SPECIFICATION:PS-67968-001  
 4.MATE WITH 67968-0001 HEADER  
 5.USES MOLEX 5556 FEMALE TERMINAL



REVISE EC NO: SH2010-0059 DRWN:XJSONG CHKD:XJSONG APPR:RZHANG	DESCRIPTION REV	QUALITY SYMBOLS ▽=0 ◻=0	GENERAL TOLERANCES (UNLESS SPECIFIED)		DIMENSION STYLE MM ONLY	SCALE 3:1	DESIGN UNITS METRIC	THIRD ANGLE PROJECTION		
			mm	INCH	DRAWN BY AYIN	DATE 2003/02/17	TITLE SHROUDED HOUSING FOR 3CKT MINIFIT CONN.			
			4 PLACES ± ---	± ---	CHECKED BY JLU	DATE 2003/02/17	MOLEX INCORPORATED			
			3 PLACES ± ---	± ---	APPROVED BY SHUANG	DATE 2003/02/17	DOCUMENT NO. SD-67969-001			
2 PLACES ± 0.25		± ---	DRAFT WHERE APPLICABLE MUST REMAIN WITHIN DIMENSIONS		MATERIAL NO. 67969-0001	SHEET NO. 1 OF 1				
1 PLACE ± ---		± ---	ANGULAR ± 1 °		THIS DRAWING CONTAINS INFORMATION THAT IS PROPRIETARY TO MOLEX INCORPORATED AND SHOULD NOT BE USED WITHOUT WRITTEN PERMISSION					