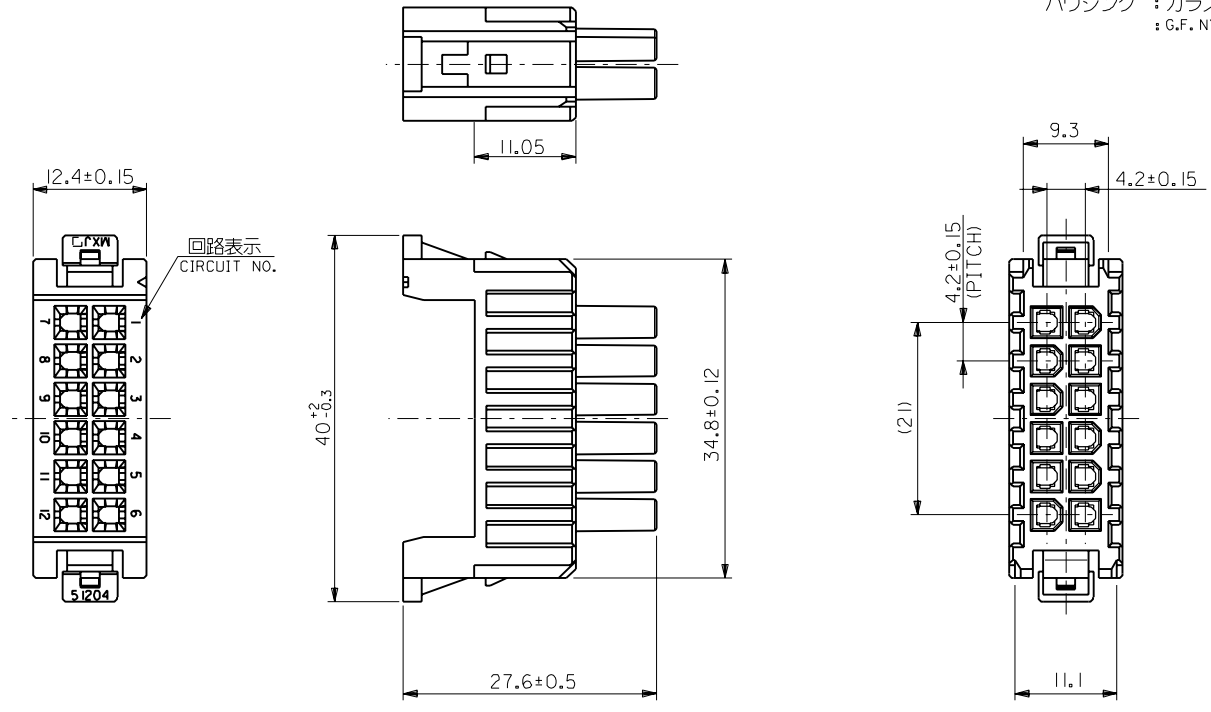


DWG. NO. SD-51204-002

注記
NOTES.

1. 適合ターミナル : 5556****
APPLICABLE TERMINAL: 5556****
2. 材質
MATERIAL
ハウジング : ガラス入りナイロン66 UL94V-0 色: 自然色
: G.F. NYLON UL94V-0 COLOR : NATURAL



51204-I200	51204-I200
------------	------------

MATERIAL NO	MODEL NO
-------------	----------

DIMENSIONS:		SHT	REV
<input type="checkbox"/> mm	<input type="checkbox"/> INCH	<input checked="" type="checkbox"/> mm	<input type="checkbox"/> ONLY
		REVISE ON CAD ONLY	

GENERAL TOLERANCES: (UNLESS SPECIFIED) 一般公差		SCALE 2-1	DESIGN UNITS <input checked="" type="checkbox"/> mm <input type="checkbox"/> INCH	THIRD ANGLE PROJECTION
10 UNDER 未満	+0.2	DRAWN BY & DATE <i>S. Adiyama</i> 98/9/9		TITLE: POWER CONN. I2P SOCKET HOUSING
10 OVER 以上	+0.25	CHECKED BY & DATE <i>Y. Ota</i>		
30 OVER 以上	+0.3	APPROVED BY & DATE <i>[Signature]</i>		
ANGLE 角度	+3°	CAD FILE NAME 51204002.S01		MATERIAL NO. SEE CHART

MOLEX INCORPORATED		
MATERIAL NO. SEE CHART	DRAWING NO. SD-51204-002	SHEET NO. 1 OF 1
THIS DRAWING CONTAINS INFORMATION THAT IS PROPRIETARY TO MOLEX INCORPORATED AND SHOULD NOT BE USED WITHOUT WRITTEN PERMISSION.		SIZE B

EC NO. DRWN: CHK: APPR:	EC NO. DRWN: CHK: APPR:	EC NO. DRWN: CHK: APPR:	REVISED '98/12/23 EC NO. JD90898 DRWN: Y. TETSUKA CHK: SAKIYAMA/YO.ITO APPR: H.IKESUGI	REVISED '98/9/9 EC NO. JD90377 DRWN: S. AKIYAMA CHK: YO.ITO APPR: H.IKESUGI	MATERIAL 材料 注記参照 SEE NOTES.	FINISH 仕上り	WIRE RANGE 適用線径範囲	INS. RANGE 被覆外径
A				O		#	#	#

DO NOT SCALE DRAWING