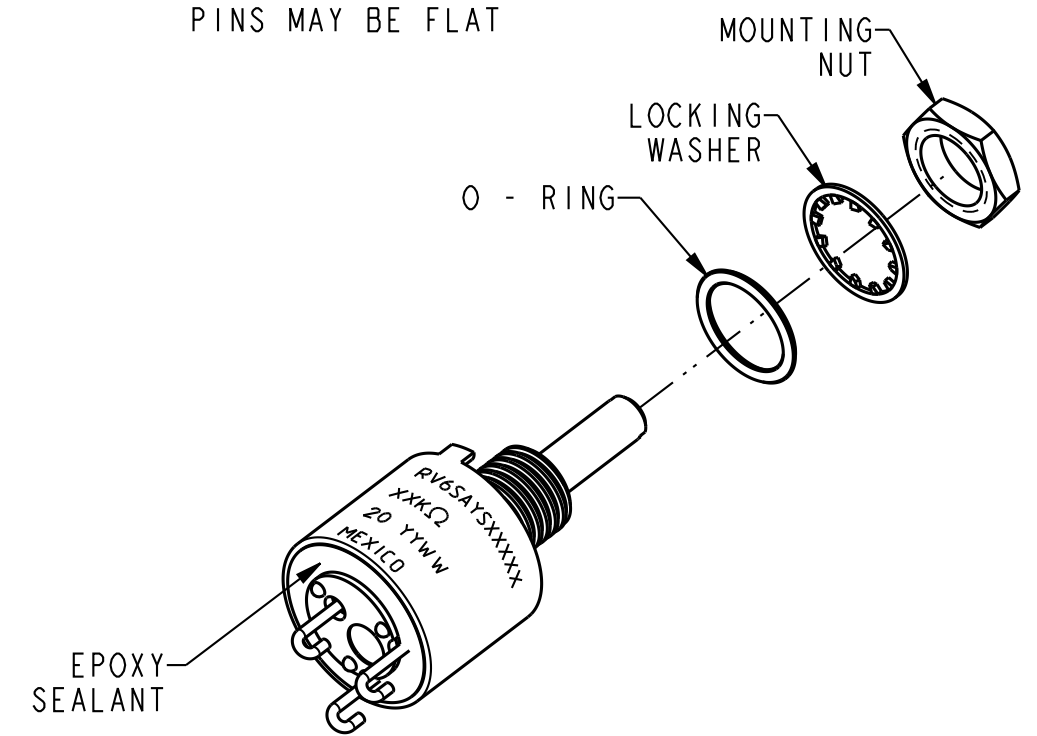
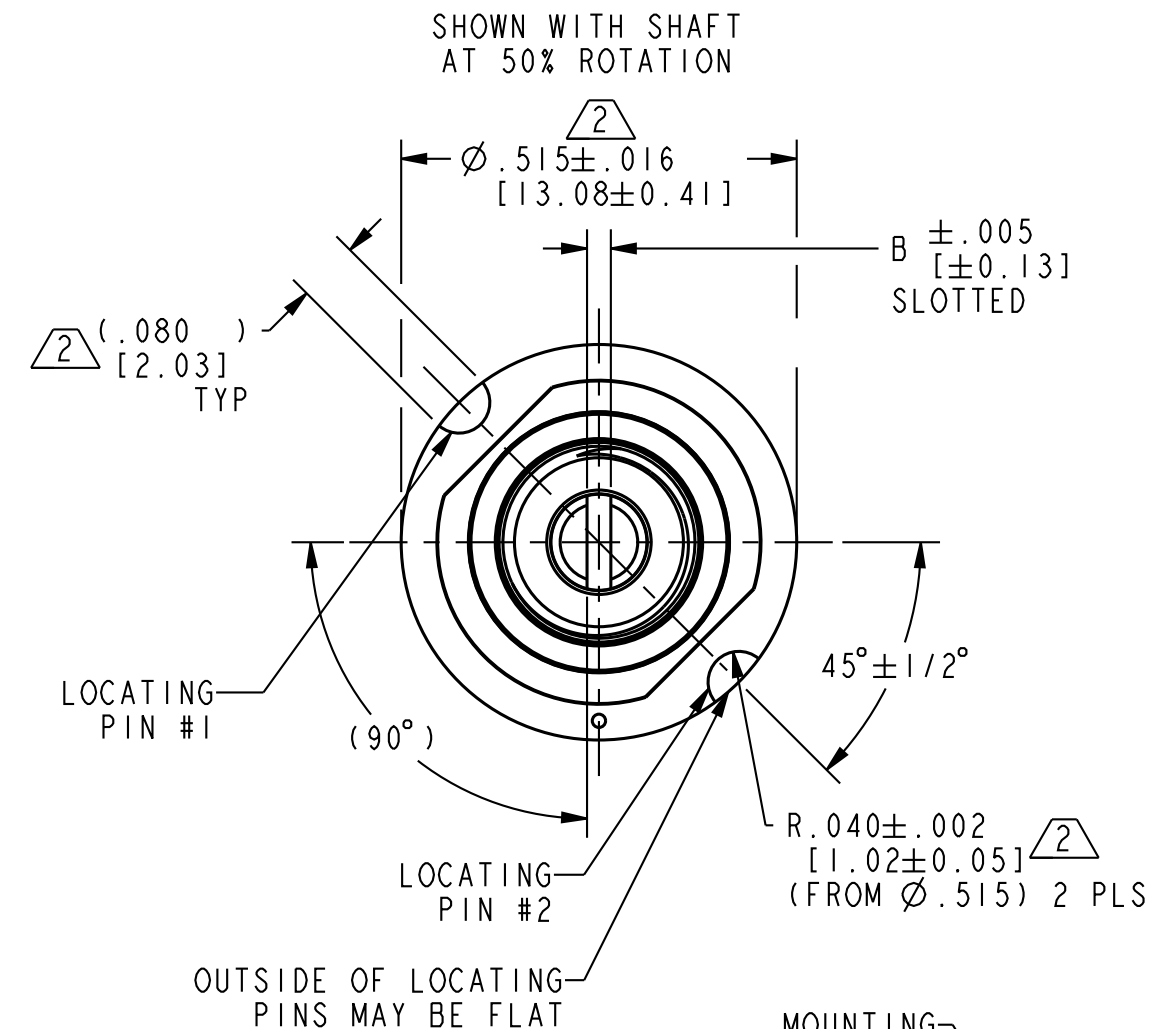
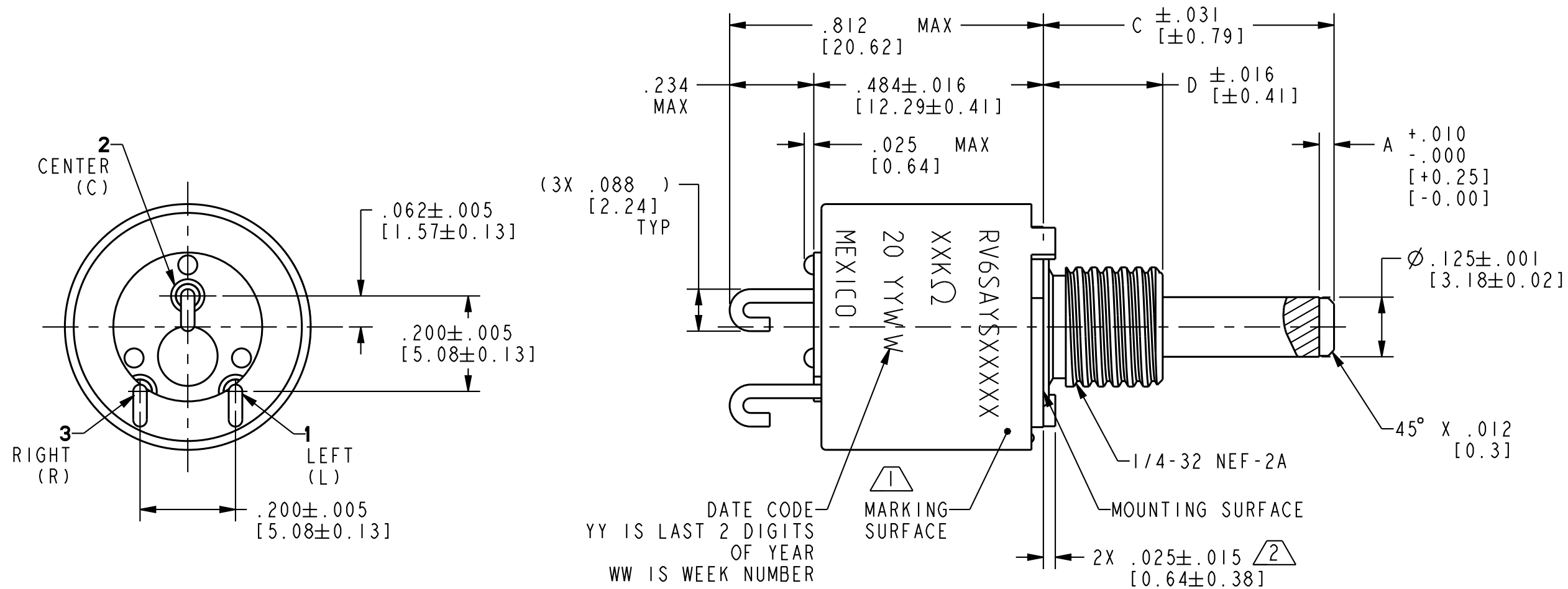


PART NUMBER  
SEE SHEET-2 TABLE

REVISION HISTORY					
REV	DOCUMENT	DESCRIPTION	CHGD BY	DATE	APPROVED
A	0112190	RELEASED	BM	2014-08-05	M. MIKE



GENERAL SPECIFICATIONS AND NOTES:

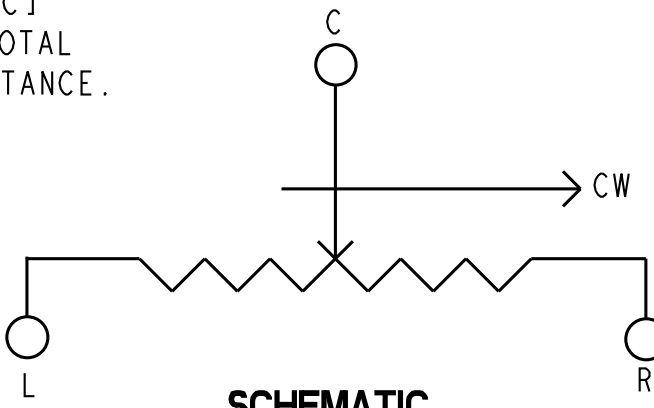
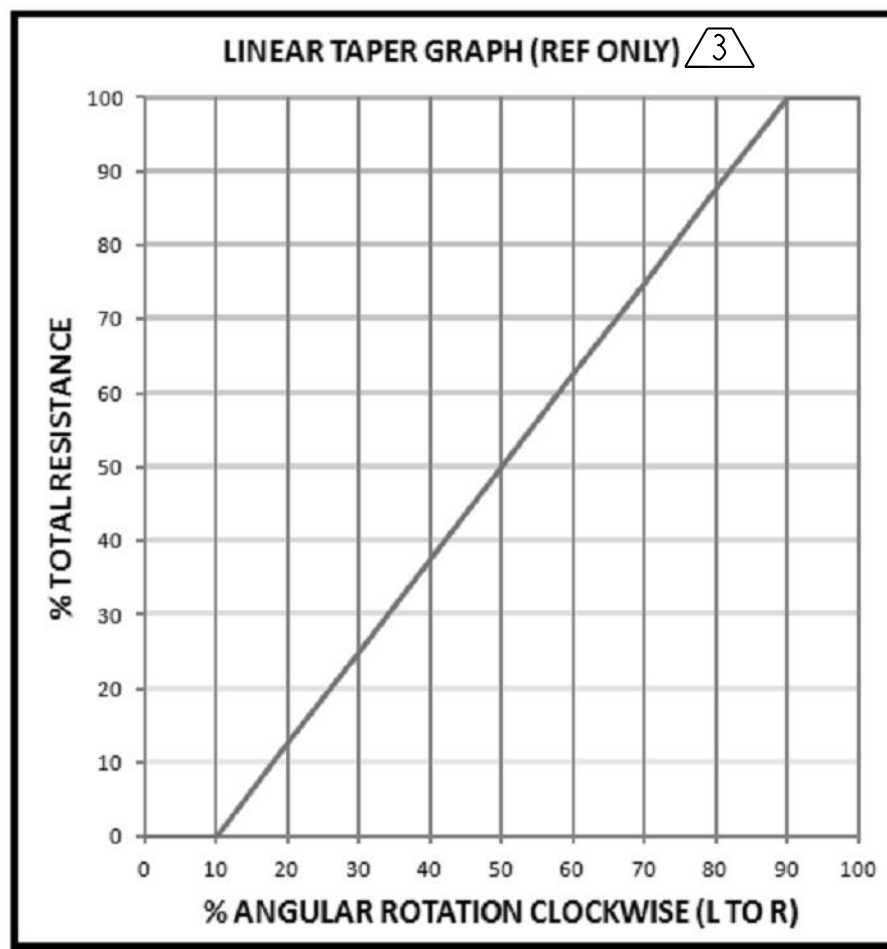
SERIES: 392  
 CONDUCTIVE PLASTIC ELEMENT  
 SUPPLIED WITH MOUNTING NUT, LOCKING WASHER AND O-RING.  
 NUTS AND WASHER PACKAGED ASSEMBLED OR UNASSEMBLED BASED ON LISTING (REFER TO TABLE ON SHEET2), O-RING IS ASSEMBLED.  
 MARKING INFORMATION SHOWN ON SIDE OF HOUSING.  
 REFER TO TABLE FOR SPECIFIC LISTING MARKING INFORMATION.  
 WEIGHT OF SINGLE CONTROL: .25 OUNCE [6.8 GRAMS] APPROX.  
 VALUES ARE SHOWN IN STANDARD AND METRIC UNITS. METRIC UNITS ARE IN [ ].  
 IF CONVERSION DIFFERENCE EXISTS, THE STANDARD UNIT PREVAILS.  
 CONTROLS HAVE AN INTERNAL O-RING SHAFT SEAL.  
 UNITS ARE SEALED FOR WAVE SOLDER AND WASH PROCESSING.  
 BUILT IN ACCORDANCE WITH MIL-R-94.  
 DIMENSIONS FOR BODY DIAMETER AND LOCATING PINS DEVIATE FROM MIL-R-94 SPECIFICATIONS.

ELECTRICAL SPECIFICATIONS:

TAPER: LINEAR  
 TAPER TOLERANCE ±20% OF NOMINAL RESISTANCE AT 50%±3% MECHANICAL ROTATION.  
 LINEARITY (INDEPENDENT): ±5%  
 MAX WORKING VOLTAGE: 350 VDC APPLIED ACROSS L & R TERMINALS. POWER NOT TO EXCEED RATING.  
 DIELECTRIC STRENGTH: 750 VAC FOR 60s @ ATM [1 MPa]  
 350 VAC FOR 60s @ 3.4 IN Hg [11.5 KPa]  
 POWER RATING: 0.5W @ 158°F [70°C], DE-RATED LINEARLY TO 0 @ 248°F [120°C]  
 CRV FOR RESISTANCE GREATER THAN 500Ω AND LESS THAN 50KΩ IS 1.5% OF TOTAL RESISTANCE. CRV FOR ALL OTHER RESISTANCE VALUES IS 3.1% OF TOTAL RESISTANCE.  
 END RESISTANCE: 4Ω MAX AT EACH END OF ROTATION  
 RESISTANCE AND TOLERANCE: (REFER TO TABLE)  
 ELECTRICAL ROTATION: 295°± 5°  
 EFFECTIVE ELECTRICAL ROTATION: 265° TYPICAL

OPERATIONAL SPECIFICATIONS:

ROTATIONAL LIFE: 50,000 CYCLES  
 STORAGE TEMPERATURE: -67°F [-55°C] TO 248°F [120°C]  
 OPERATING TEMPERATURE: -40°F [-40°C] TO 248°F [120°C]  
 ROTATIONAL TORQUE: 0.5 TO 2.0 OZ-IN [3.5 TO 14 mN·m]  
 STOP TORQUE: 3 LB-IN [0.34 N·m]  
 MECHANICAL ROTATION: 295°± 5°




SCALE 2:1  
( ISOMETRIC VIEW - REF ONLY )

MATERIALS	
SHAFT	NICKEL PLATED BRASS
BUSHING	NICKEL PLATED BRASS
HOUSING	THERMOPLASTIC
BASE	THERMOSET
TERMINALS	BRASS, SOLDER (TIN-LEAD) DIP FINISH
SEALANT	EPOXY
LOCK WASHER	NICKEL PLATED PHOS BRONZE
MOUNTING NUT	NICKEL PLATED BRASS
PANEL O-RING	BUNA N

UNLESS OTHERWISE SPECIFIED DIMENSIONS ARE IN INCHES DECIMAL TOL: NO PLACE --- ±.400 [10.16] 1 PLACE --- ±.030 [0.76] 2 PLACE --- ±.010 [0.25] 3 PLACE --- ±.005 [0.13] ANGULAR TOL --- ±2° CHAMFER - ±5°		THIRD ANGLE PROJECTION				<b>Honeywell</b>									
MATERIAL SEE TABLE						TITLE <b>S-TAPER, SLOTTED SHAFT, PANEL SEAL BUSHING, SOLDER HOOK TERMS</b>									
FINISH		SCALE 4:1		RELEASE DATE 2014-08-05		SIZE C		CAGE CODE -		DWG NO 392-MATRIX-IDWG-12		TYPE I		REV A	
APPLICABLE DOCUMENTS: ASME Y14.100-2004 ASME Y14.5-2009		REF WT: SEE NOTE		DRW: B. MOHAPATRA 2014-05-28		SHEET 1 of 2		RDE: M. MIKE 2014-05-28		QA: -		CHK: S. RAGHU 2014-08-05		<b>HONEYWELL CONFIDENTIAL</b> THIS DOCUMENT CONTAINS PROPRIETARY INFORMATION AND SUCH INFORMATION MAY NOT BE DISCLOSED TO OTHERS FOR ANY PURPOSE, NOR USED FOR MANUFACTURING PURPOSES WITHOUT WRITTEN PERMISSION FROM HONEYWELL	
COMPUTER GENERATED DRAWING: PRO/ENGINEER															

**MULTI-SHEET  
DRAWING**

PART NUMBER  
SEE SHEET-2 TABLE

LISTING	CHARACTERISTICS							MARKING 			
	ELECTRICAL		MECHANICAL					LINE-1	LINE-2	LINE-3	LINE-4
	RES ( $\Omega$ )	RES TOL	A SLOT DEPTH IN [mm]	B SLOT WIDTH IN [mm]	C SHAFT LENGTH IN [mm]	D BUSHNG LENGTH IN [mm]	MTG HARDWARE				
392551M7106	10K $\Omega$	$\pm 10\%$	.031 [0.79]	.031 [0.79]	.625 [15.88]	.250 [6.35]	UNASSEMBLED	RV6SAYSA103A	10K $\Omega$	20 YYWW	MEXICO
392551M9410	100K $\Omega$	$\pm 10\%$	.031 [0.79]	.031 [0.79]	.875 [22.23]	.250 [6.35]	UNASSEMBLED	RV6SAYSD104A	100K $\Omega$	20 YYWW	MEXICO
392551M0010	250 $\Omega$	$\pm 10\%$	.031 [0.79]	.031 [0.79]	.875 [22.23]	.250 [6.35]	UNASSEMBLED	RV6SAYSD251A	250 $\Omega$	20 YYWW	MEXICO
392551M0019	5K $\Omega$	$\pm 10\%$	.031 [0.79]	.031 [0.79]	.875 [22.23]	.250 [6.35]	UNASSEMBLED	RV6SAYSD502A N/P 392	5K $\Omega$	20 YYWW	MEXICO

<b>Honeywell</b>				
TITLE <b>S-TAPER, SLOTTED SHAFT, PANEL SEAL BUSHING, SOLDER HOOK TERMS</b>				
SIZE <b>C</b>	CAGE CODE -	DWG NO <b>392-MATRIX-IDWG-12</b>	TYPE <b>I</b>	REV <b>A</b>
SCALE NONE	REF WT: SEE NOTE	SHEET 2 of 2		