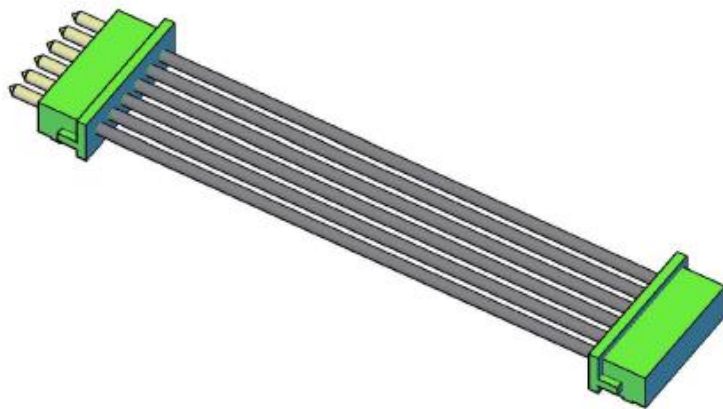
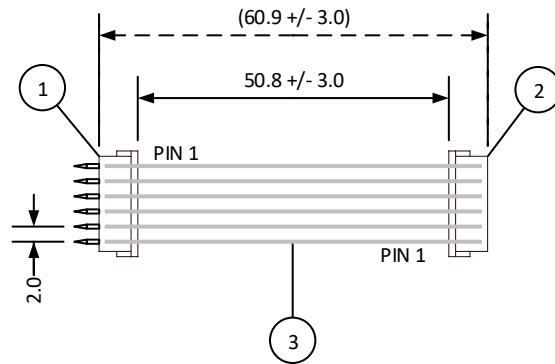


	4	3	2	1	
ITEM	CONNECTOR PART NO.	DESCRIPTION	IPI CHECK	EOR CHECK	Applicable Tooling
1	See Table 1	DA CONNECTOR			BCD
2	See Table 1	KR CONNECTOR			<b>TABLE 1</b>
3	UL1061, 28 AWG	WHITE			

ITEM	NUMBER OF CIRCUITS	CONNECTOR PART NO.	ASSEMBLY PART NUMBER	TOTAL WIRE REQUIRED
1		02DA-8M	A02KR02DA28W51B	101.6
2	2	02KR-8M-P		
1		03DA-8M	A03KR03DA28W51B	152.4
2	3	03KR-8M-P		
1		04DA-8M	A04KR04DA28W51B	203.2
2	4	04KR-8M-P		
1		05DA-8M	A05KR05DA28W51B	254
2	5	05KR-8M-P		
1		06DA-8M	A06KR06DA28W51B	304.8
2	6	06KR-8M-P		
1		07DA-8M	A07KR07DA28W51B	355.6
2	7	07KR-8M-P		
1		08DA-8M	A08KR08DA28W51B	406.4
2	8	08KR-8M-P		
1		09DA-8M	A09KR09DA28W51B	457.2
2	9	09KR-8M-P		
1		10DA-8M	A10KR10DA28W51B	508
2	10	10KR-8M-P		
1		11DA-8M	A11KR11DA28W51B	558.8
2	11	11KR-8M-P		
1		12DA-8M	A12KR12DA28W51B	609.6
2	12	12KR-8M-P		
1		13DA-8M	A13KR13DA28W51B	660.4
2	13	13KR-8M-P		
1		14DA-8M	A14KR14DA28W51B	711.2
2	14	14KR-8M-P		
1		15DA-8M	A15KR15DA28W51B	762
2	15	15KR-8M-P		



SCALE	1: 1	
DIMENSIONS	CUSTOMER NAME	CUSTOMER PART NO.
All dimensions are in MM with a tolerance of +/- 3.0 unless otherwise specified.	DESCRIPTION	
	2.0 mm Pitch DA to KR Standard Catalog Assembly - 2" Overall Length - Pin out: 1 to N	
DRAWN BY	ASSEMBLY PART NO.	
STEVEN PILKINGTON	SEE TABLE 1	
CHECKED BY	DRAWING NO. & REVISION	REVISED
JUSTIN BAKER	GAM-034	3/4/2016



REV.	DESCRIPTION	DATE	BY
------	-------------	------	----

4

3

2

1