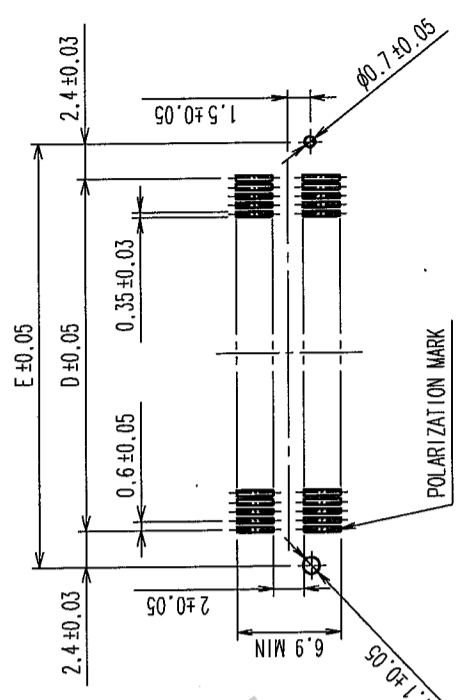


COUNT	DESCRIPTION OF REVISIONS	BY	CHKD	DATE	COUNT	DESCRIPTION OF REVISIONS	BY	CHKD	DATE
3	RE-F-09671	K.N	H.Y	04.04.08					

RECOMMENDED LAND PATTERN DIMENSION OF P.C.B. (MOUNTING SIDE)



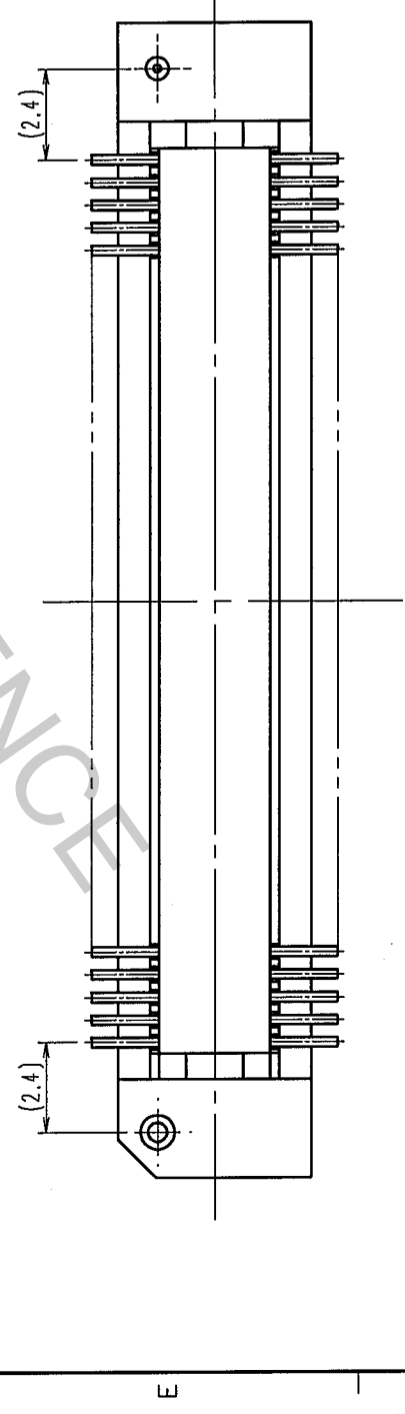
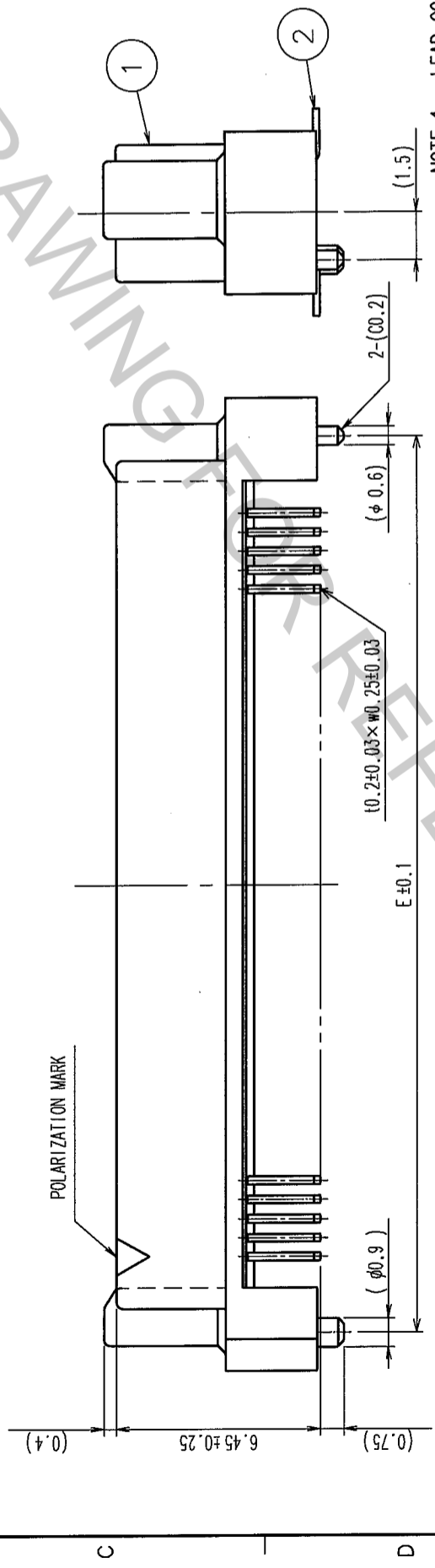
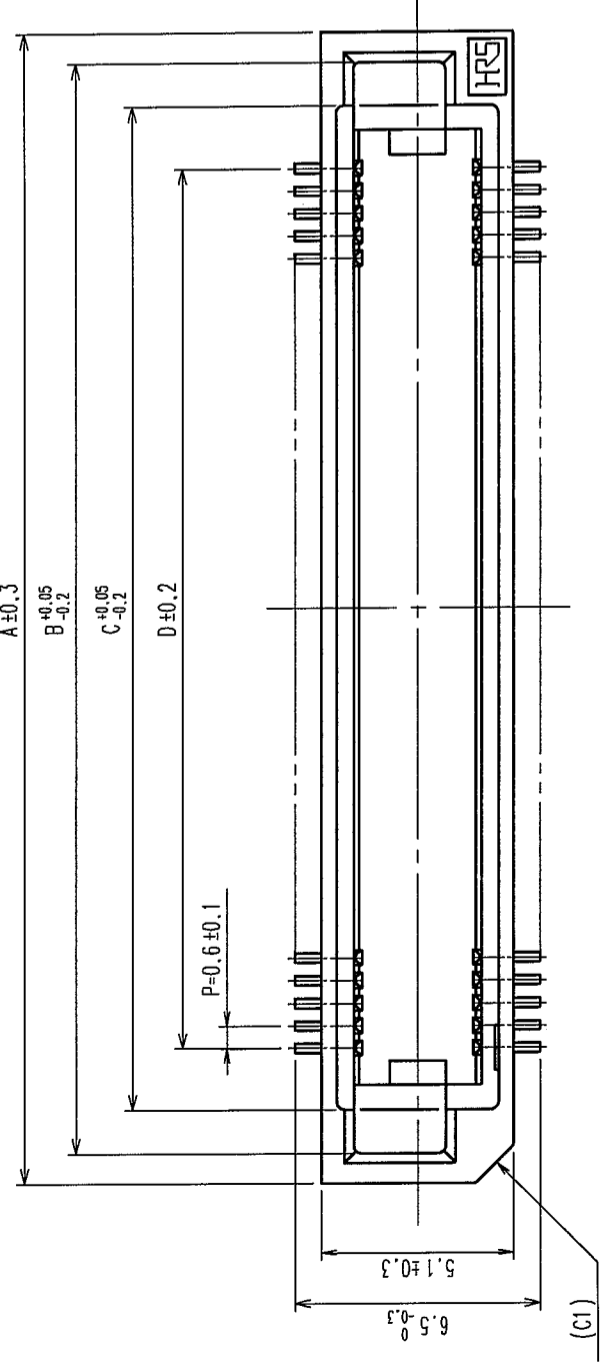
DIMENSION TABLE OF CONNECTOR AND P.C.B. LAND PATTERN.

PART No.	CODE No.	6	7	A	B	C	D	E
FX8C-60P-SV2(93)	CL578-0541-3-93	60	X	24.60	23.00	20.70	17.40	22.20
FX8C-80P-SV2(93)	CL578-0543-9-93	80	X	30.60	29.00	26.70	23.40	28.20
FX8C-100P-SV2(93)	CL578-0545-4-93	100	X	36.60	35.00	32.70	29.40	34.20
FX8C-120P-SV2(93)	CL578-0546-7-93	120	-	42.60	41.00	38.70	35.40	40.20
FX8C-140P-SV2(93)	CL578-0547-0-93	140	X	48.60	47.00	44.70	41.40	46.20

- NOTE 1. LEAD CO-PLANARITY SHALL BE 0.1mm MAX.
 2. EMBOSSED CARRIER TAPE PACKAGING SHALL BE APPLIED TO THIS PRODUCT.
 3. THIS PRODUCT HAS TAPE FOR VACUUM PICKUP.
 4. FOR MODIFICATION, ETC., PREVENTIVE HOLE FOR SINK MARK MAY BE ADDED ACCORDING TO CIRCUMSTANCES.
 5. THE DIMENSIONS IN PARENTHESES ARE FOR REFERENCE.

6 NUMBER OF CONTACTS.
 7 EXISTENCE
 X: PRODUCED, -: NO PRODUCED

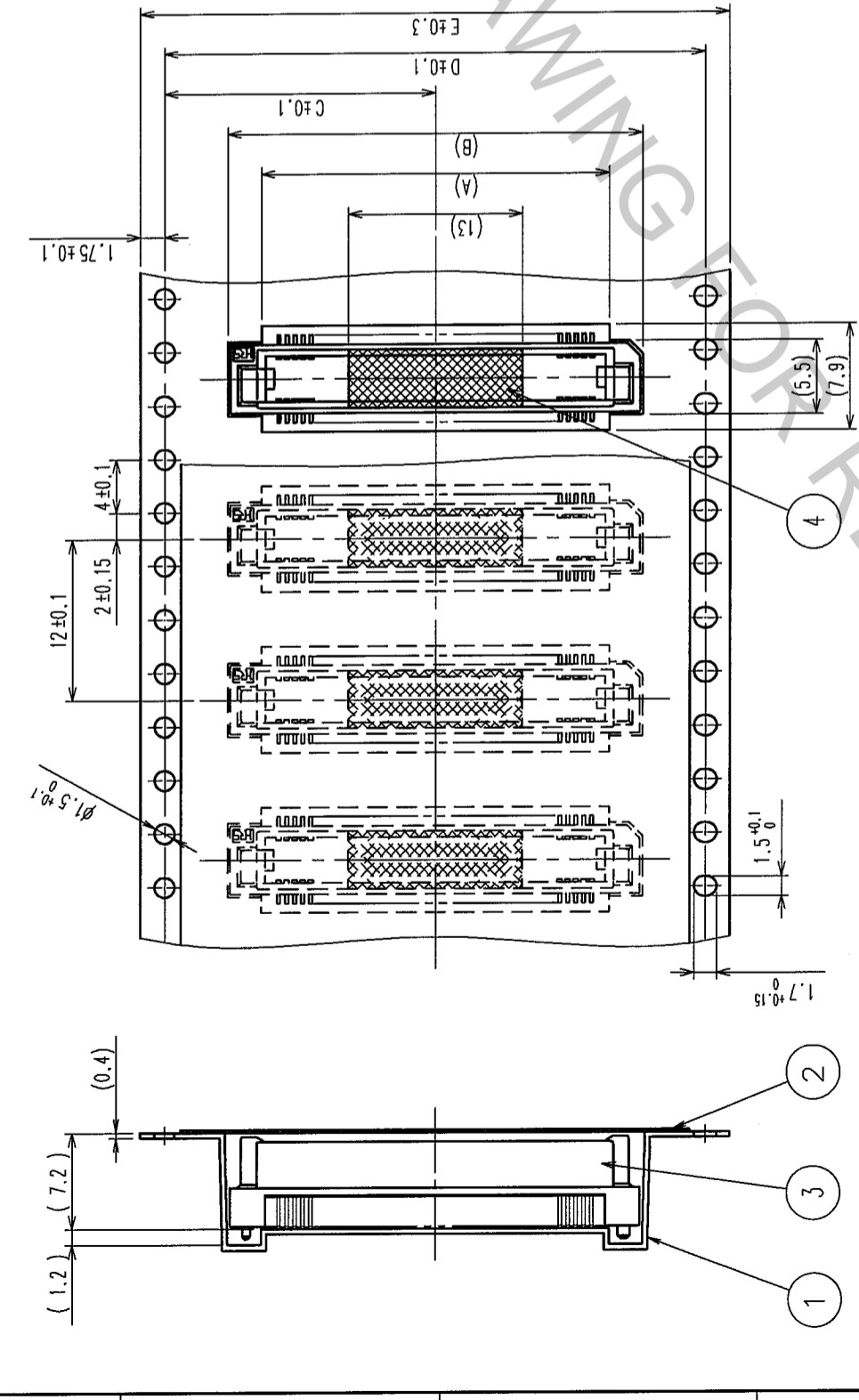
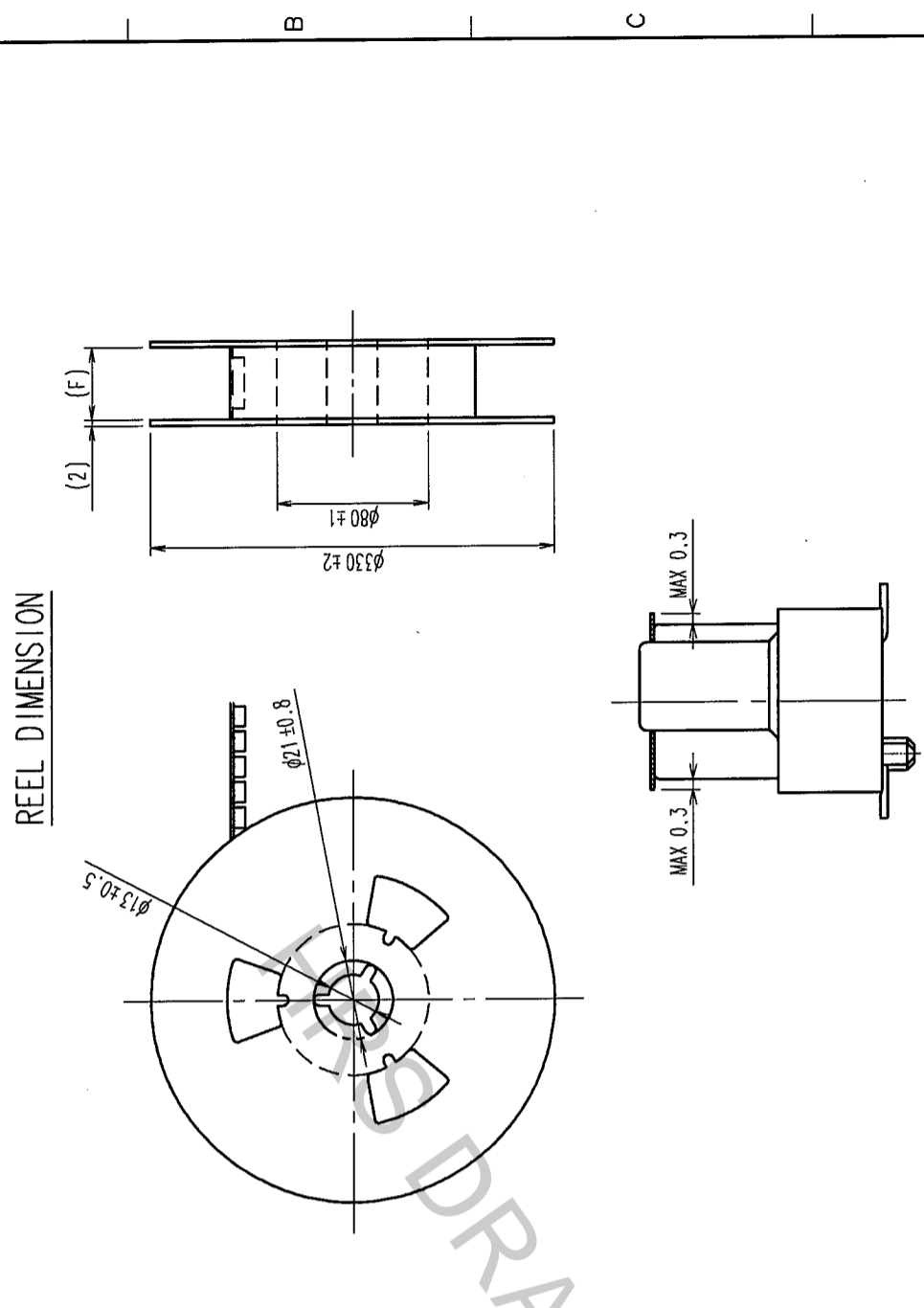
NO.	MATERIAL	FINISH, REMARKS	NO.	MATERIAL	CHECKED	APPROVED	RELEASED
1	PPS	LIGHT BROWN (UL94V-0)	2	PHOSPHOR BRONZE			
CODE NO. (OLD)		CL	CONTACT AREA: GOLD 0.1μm min LEAD AREA: TIN-PLATING 1μm min UNDER PLATING: NICKEL 1μm min				
DRAWN		S. SUZUKI	DESIGNED		K. NAKAMURA		
FINISH, REMARKS		03.02.04	FINISH, REMARKS		H. OKAWA		
PART NO.		EDC3-151088-23	PART NO.		FX8C-**P-SV2(93)		
SCALE		FREE	CODE NO.		CL578		
UNITS		mm	DRAWING NO.		EDC3-151088-23		



TO	
PCK	

COUNT	DESCRIPTION OF REVISIONS	BY	CHKD	DATE	COUNT	DESCRIPTION OF REVISIONS	BY	CHKD	DATE

COUNT	DESCRIPTION OF REVISIONS	BY	CHKD	DATE	COUNT	DESCRIPTION OF REVISIONS	BY	CHKD	DATE

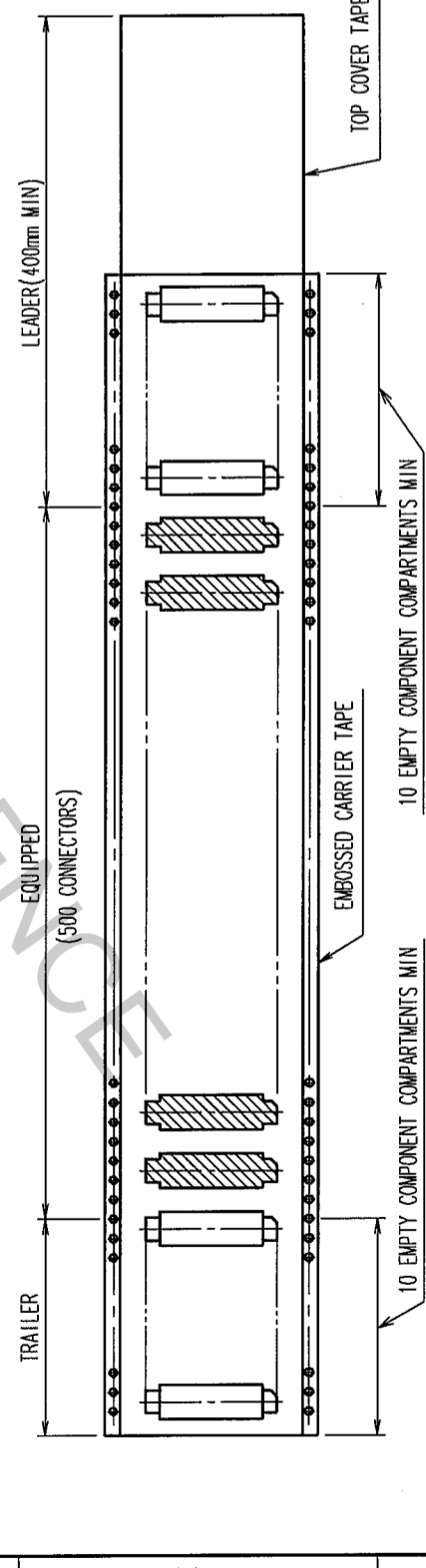


DETAIL OF TAPE FOR VACUUM PICKUP(5:1)

UNREELING DIRECTION

△ DIMENSION TABLE OF EMBOSSED CARRIER TAPE AND REEL.

PART No.	CODE No.	2	3	A	B	C	D	E	F
FX8C-60P-SV2(93)	CL578-0541-3-93	60	×	20	25	20.2	40.4	44	44.4
FX8C-80P-SV2(93)	CL578-0543-9-93	80	×	26	31	20.2	40.4	44	44.4
FX8C-100P-SV2(93)	CL578-0545-4-93	100	×	32	37	26.2	52.4	56	56.4
FX8C-120P-SV2(93)	CL578-0546-7-93	120	—	38	43	26.2	52.4	56	56.4
FX8C-140P-SV2(93)	CL578-0547-0-93	140	×	44	49	34.2	68.4	72	72.4



NOTE 1. 1 REEL : 500 CONNECTORS
 2. NUMBER OF CONTACTS
 3. EXISTENCE
 × : PRODUCED, - : NO PRODUCED

2	POLYESTER	(TOP COVER TAPE)	4	POLYIMIDE	(TAPE FOR VACUUM PICKUP)
1	PS	(EMBOSSED CARRIER TAPE)	3		(CONNECTOR)
NO.	MATERIAL	FINISH, REMARKS	NO.	MATERIAL	FINISH, REMARKS
CODE NO. (OLD)	CL		CODE NO. (NEW)		
CL			CL		
DRAWN	S. SUZUKI	DESIGNED	K. NAKAMURA	CHECKED	H. OKAWA
DATE	03.02.04	DATE	03.02.12	DATE	03.02.14
DRAWING NO. EDC3-151088-23			PART NO. FX8C-**-P-SV2(93)		
SCALE FREE			CODE NO. CL578		
UNITS			HIROSE ELECTRIC CO., LTD		

TO	
PCK	