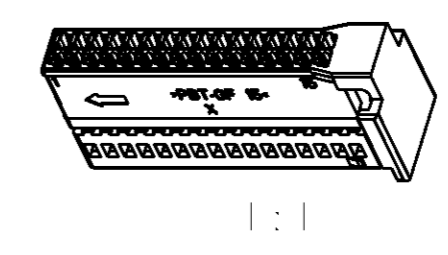
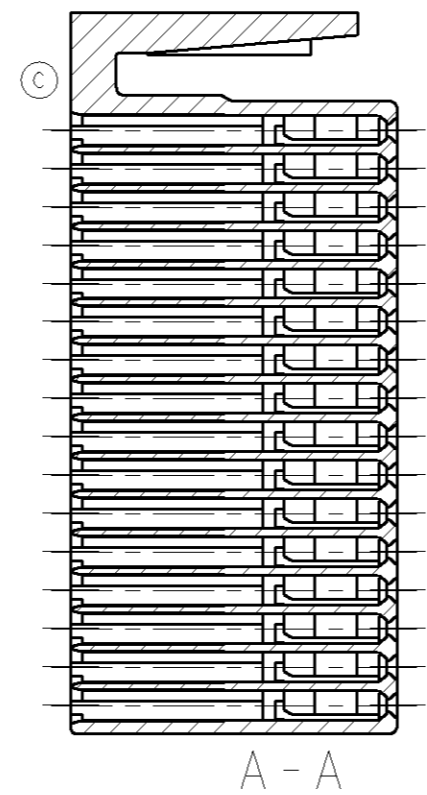
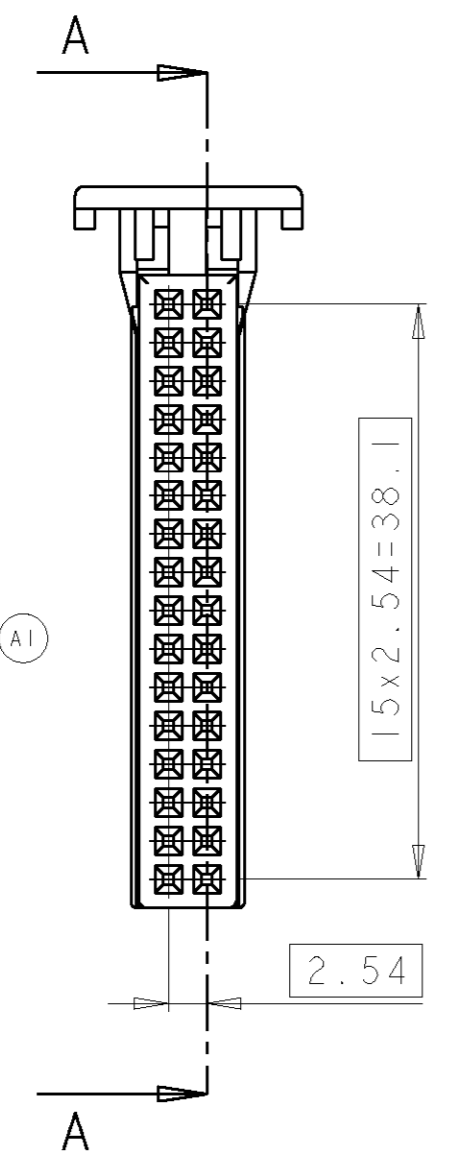
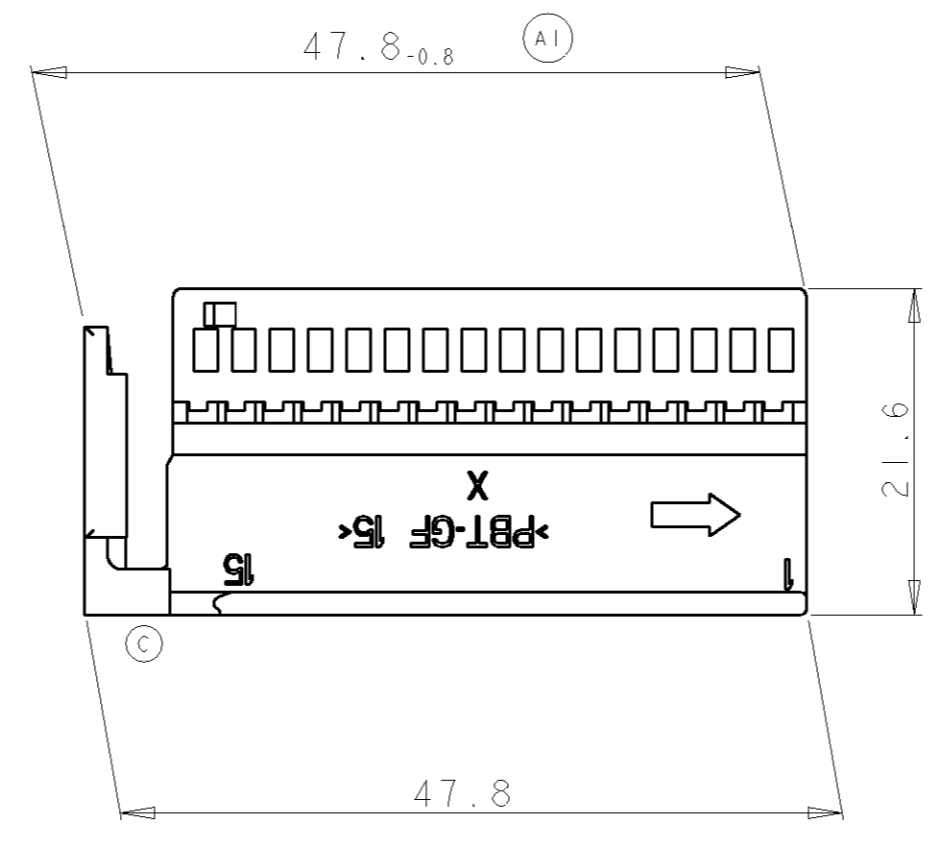
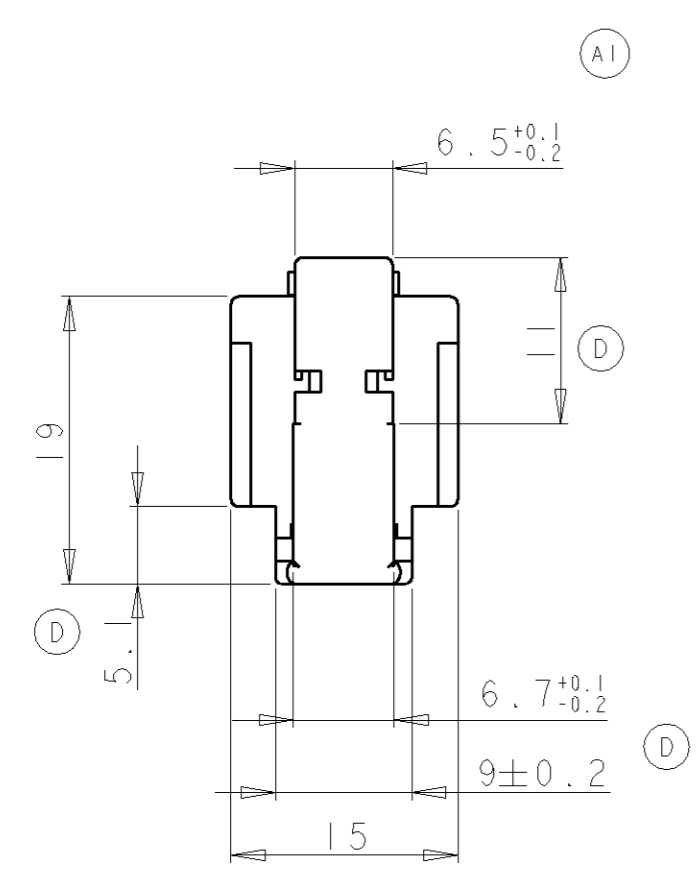


THIS DRAWING IS UNPUBLISHED. RELEASED FOR PUBLICATION 1999  
 © COPYRIGHT 1999 BY TYCO ELECTRONICS CORPORATION. ALL RIGHTS RESERVED. PROJECT NO.: -

LOC		DIST		REVISIONS			
P	LTR	DESCRIPTION	DATE	DWN	APVD		
	D	SEE PCN EG00-3061-00	19-DEC-00	A.Ri	HSCH		
	E	SEE PCN E-06-023728	09-OKT-06	LG	HSCH		
	B	SEE PCN EG00 1264 00	30-MAY-00	A.Ri			
	C	SEE PCN EG00 2038 00	05-SEP-00	A.Ri	HSCH		

PROJEKT NO.  
 A98-52206  
 B916704



114-18063-078	-	INTERFACE DRAWING
0-1355589-1	1	AMP MODU II PINHEADER 32POS.; COD A 90°, RIGHT
0-1355587-1/-2	1	AMP MODU II PINHEADER 32POS.; COD A/B 180°
0-1355541-1/-2	1	COVER WITH SLIDE, COD A/B, 180° CABLEOUTLET
AMP BESTELL-NR.	STK. QTY.	BENENNUNG DESCRIPTION
COUNTERPARTS GEGENSTECKER		

NOTES

- Bemerkungen
- (E) 1 tyco- or AMP-LOGO tyco- oder AMP-Logo
  - 2 ORDER-NUMBER Bestell-Nummer
  - 3 REVISIONS-NUMBER Werkzeugaenderungsindex
  - GM-LOGO GM-Logo
  - 5 CAVITY MARKING Nestmarkierung
  - (E) - CUSTOMER SIGN Kunden-Kurzzeichen
  - 7 PACKAGING IN CARTON Verpackung in Karton
  - 8 MATERIAL MARKING Werkstoffkennzeichnung
  - 9 PRODUCTION-DATE Produktions-Datum

(E) 0-1241724-2	E	MQS REC. HSG.	PBT - GF15	BLUE	-
0-1241724-1	E	MQS REC. HSG.	PBT - GF15	BLACK	-
AMP PART-NO	REV	DESCRIPTION	MATERIAL	SURFACE COLOR	ITEM NO

MICRO QUADLOK Buchsenkontakt						
0-963715-1	0-963729-1	>0.5-0.75	CuNiSi	vorverzinnt	0-878591-2	0-734464-1
0-928999-1	0-963726-1	0.2-0.5	CuNiSi	vorverzinnt	0-878439-2	0-734237-2
AMP Bestell-Nummer		DGB in mm <sup>2</sup>	Werkstoff	Oberfläche	Crimp-Werkzeuge	
Bandware		Einzelausführung			Masch.-werkz. Handzange	

THIS DRAWING IS A CONTROLLED DOCUMENT FOR TYCO ELECTRONICS CORPORATION IT IS SUBJECT TO CHANGE AND THE CONTROLLING ENGINEERING ORGANIZATION SHOULD BE CONTACTED FOR THE LATEST REVISION.

DWN H. URBAN 27-Apr-99  
 CHK H. SCHMITT 27-Apr-99

**AMP** AMP Deutschland GmbH  
 D - 63225 Langen

NAME: MOS SOCKET HOUSING FOR 32 POS HOUSING  
 MOS BUCHSENGEHÄUSE FÜR 32 POL GEHÄUSE

PRODUCT SPEC: 108-18689  
 APPLICATION SPEC: 114-18332

SIZE: A2 CAGE CODE: 00779 DRAWING NO: 1241724 RESTRICTED TO: -

SCALE: 2:1 SHEET: 1 OF 1 REV: E

CUSTOMER DRAWING