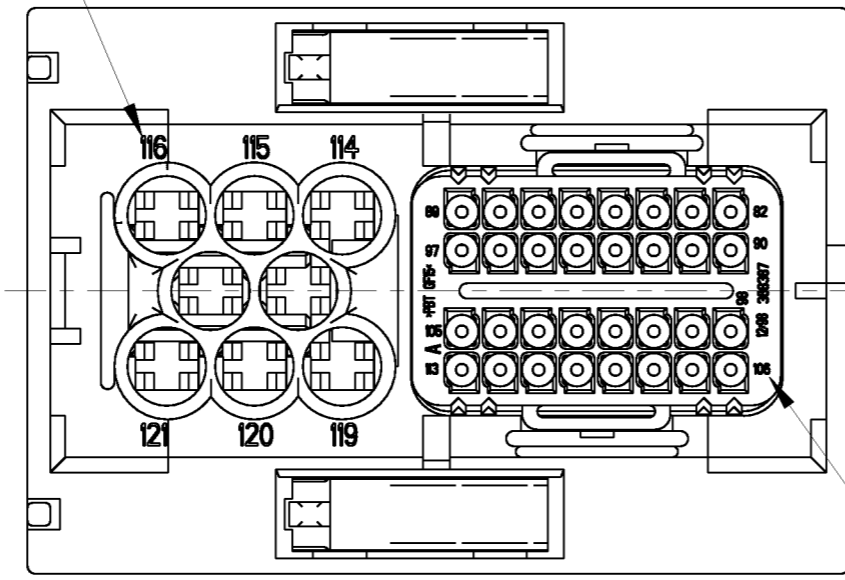


THIS DRAWING IS UNPUBLISHED. RELEASED FOR PUBLICATION 20
 © COPYRIGHT 20 ALL RIGHTS RESERVED.

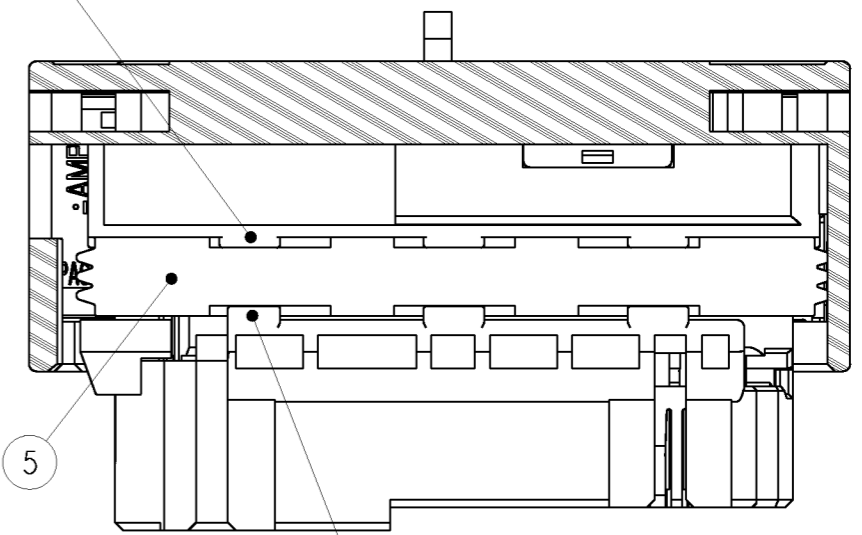
LOC		DIST		REVISIONS		
P	LTR	DESCRIPTION	DATE	DWN	APVD	
	A2	REVISED PER ECO-11-005140	09APR2011	RK	HMR	

CIRCUIT NUMBER



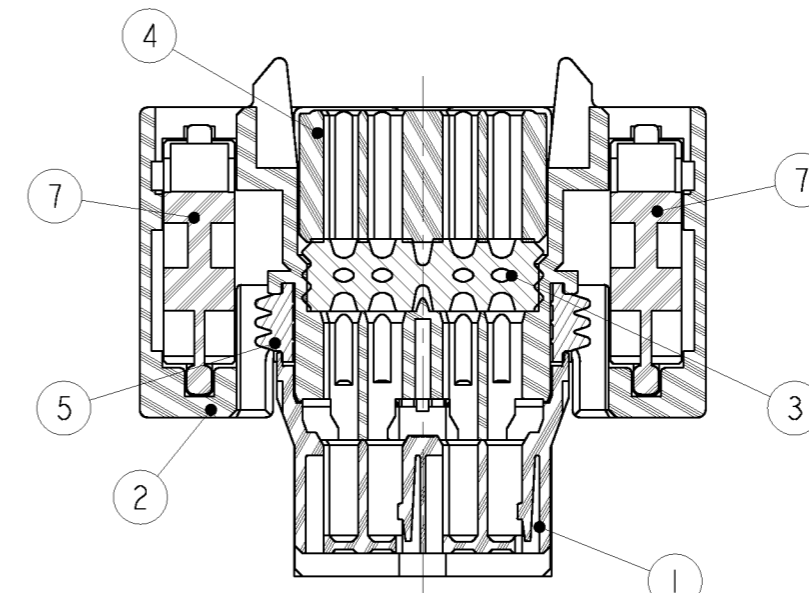
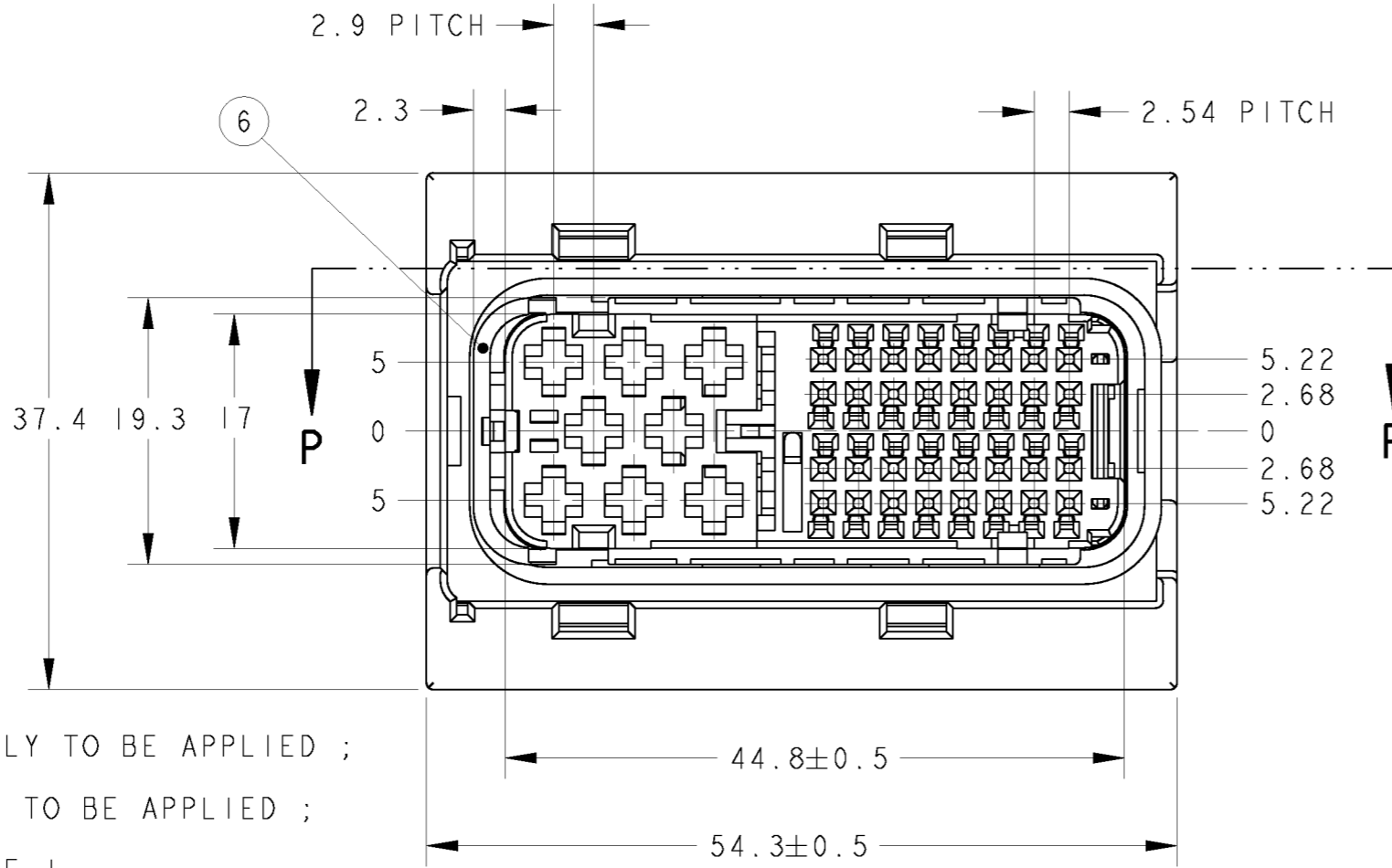
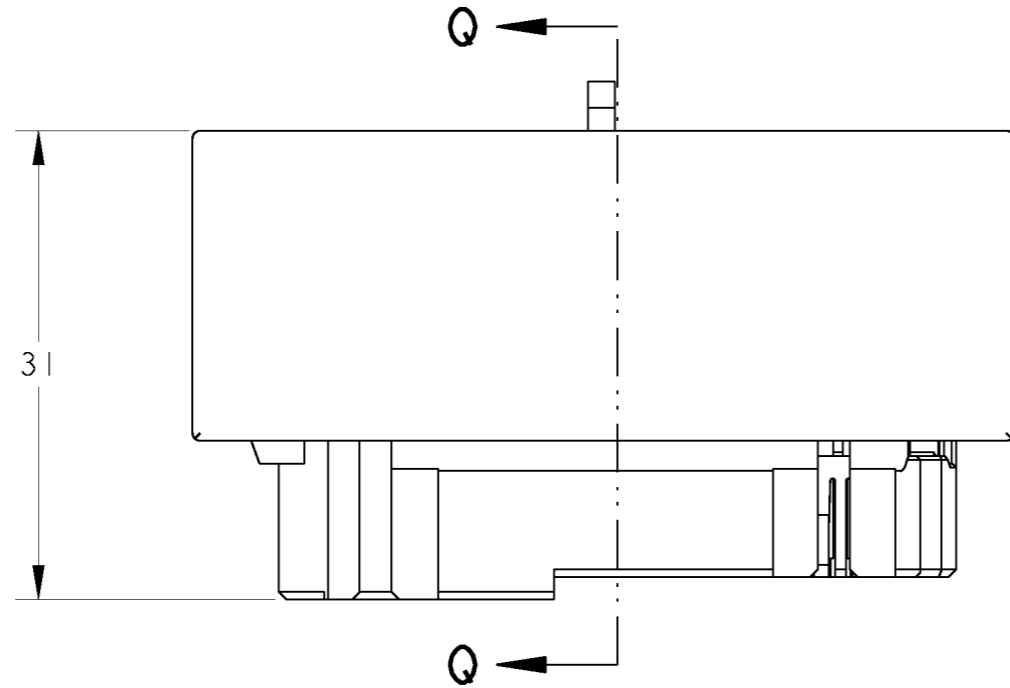
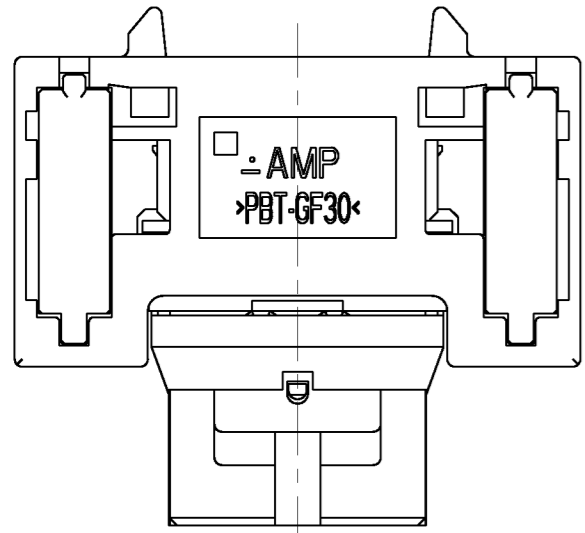
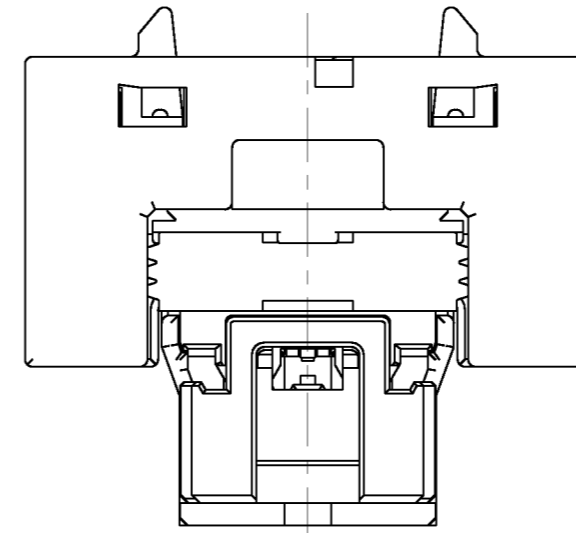
CIRCUIT NUMBER

BOSS OF MAIN CAVITY BLOCK. IT HOLD A PERIPHERAL SEAL. (8PLC)

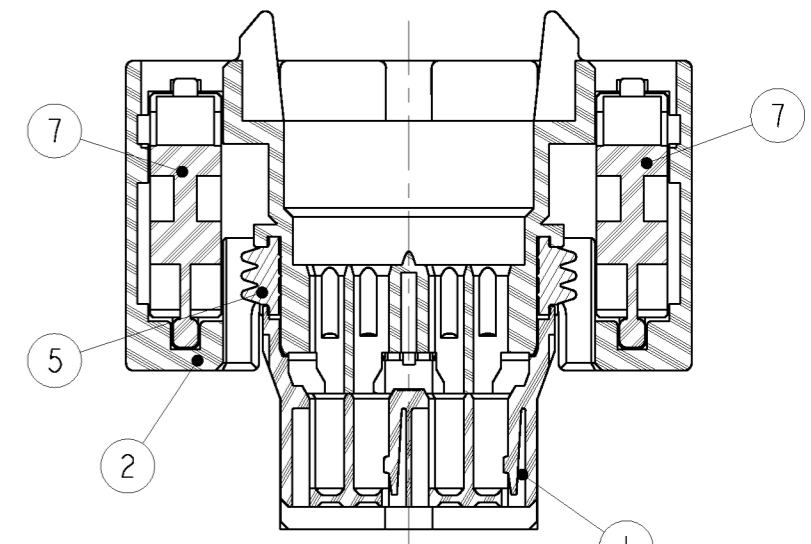


P-P

BOSS OF FRONT CAVITY BLOCK. IT HOLD A PERIPHERAL SEAL. (6PLC)



Q-Q 1473252-1



Q-Q 1473252-2

- PART NUMBER OF LEVER ASSEMBLY TO BE APPLIED ; P/N 1473255-1
- PART NUMBER OF MQS RETAINER TO BE APPLIED ; P/N 368388-1
- APPLIED TERMINAL ; SEE TABLE-I
- PART NUMBER OF CAP HOUSING TO BE MATED ; P/N 1241434-1
- INSTRUCTION SHEET NO ; 411-78008

- 適合レバーアセンブリ型番は、P/N 1473255-1
- 適合MQSリテーナ型番は、P/N 368388-1
- 適合端子はTABLE-I参照
- 嵌合相手型番は、P/N 1241434-1
- 取扱説明書 NO ; 411-78008

TABLE-I

CONTACT	MQS		JPT		
PART NUMBER	968220-1	968221-1	964282-2	964286-2	964273-2
WIRE SIZE (mm ²)	0.2~0.5	0.75	0.2~0.5	0.5~1.0	>1.0~2.5

2	2	PA66	SLIDER	BLACK	7
1	1	PBT	JPT RETAINER	YELLOW	6
1	1	SILICONE	PERIPHERAL SEAL	ORANGE	5
-	1	PBT	SEAL RETAINER	BLACK	4
-	1	SILICONE	32POS FAMILY SEAL	ORANGE	3
1	1	PBT	MAIN CAVITY BLOCK	BLACK	2
1	1	PA66	FRONT CAVITY BLOCK	BLACK	1
-2	-1	MATERIAL	PART NAME	FINISH/COLOR	NO

THIS DRAWING IS A CONTROLLED DOCUMENT.

DIMENSIONS: 単位: ㎜

TOLERANCES UNLESS OTHERWISE SPECIFIED: 一般公差 ±0.3

0-PLC ±

1-PLC ±0.5

2-PLC ±0.13

3-PLC ±0.013

4-PLC ±0.0001

ANGLES ±3°00'

MATERIAL 材料

FINISH 仕上

SEE TABLE

SEE TABLE

DWN Y. KAWAHARA 10OCT01	TE Connectivity	
CHK N. SAI 10OCT01	PLUG HOUSING ASSY	
APVD K. SHIMIZU 10OCT01	SEALED 40POS. PLUG HSG MQS CLEAN BODY/JPT	
PRODUCT SPEC 108-5793	SIZE 114-18021, 114-18030	DRAWING NO C-1473252
APPLICATION SPEC 取付適用規格	CAGE CODE A200779	RESTRICTED TO
WEIGHT 32.2g	SCALE 2:1	SHEET 1 OF 1
CUSTOMER DRAWING	REV A2	