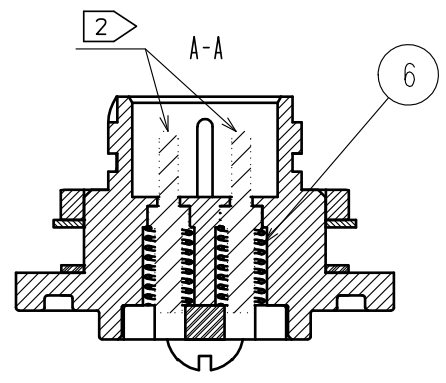
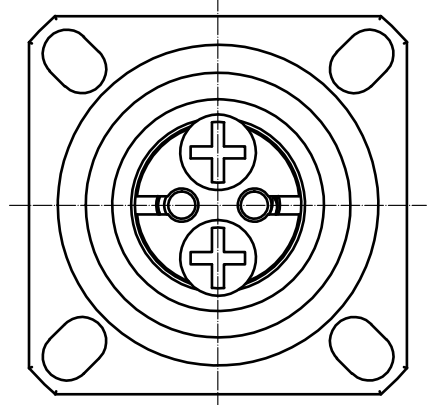
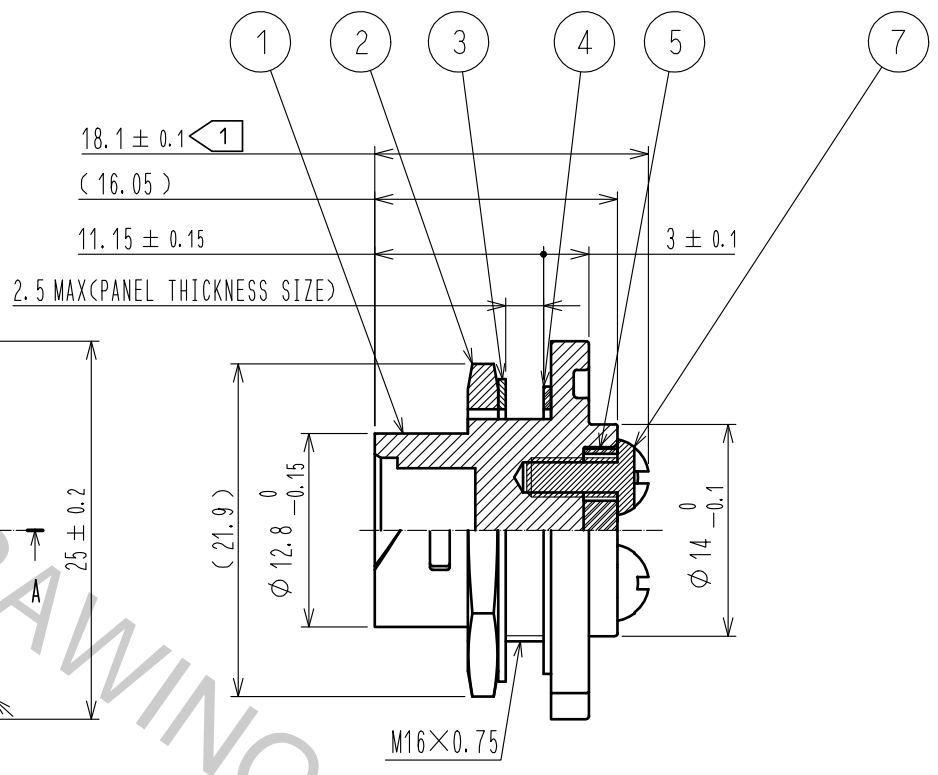
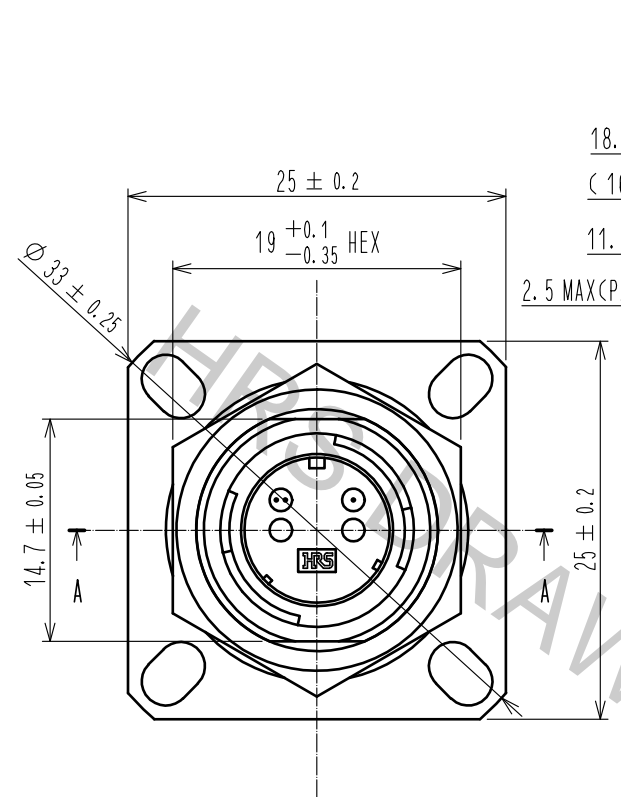
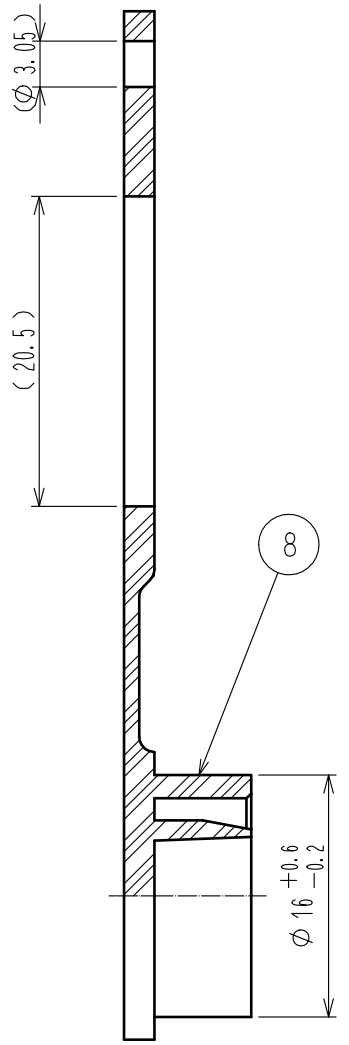
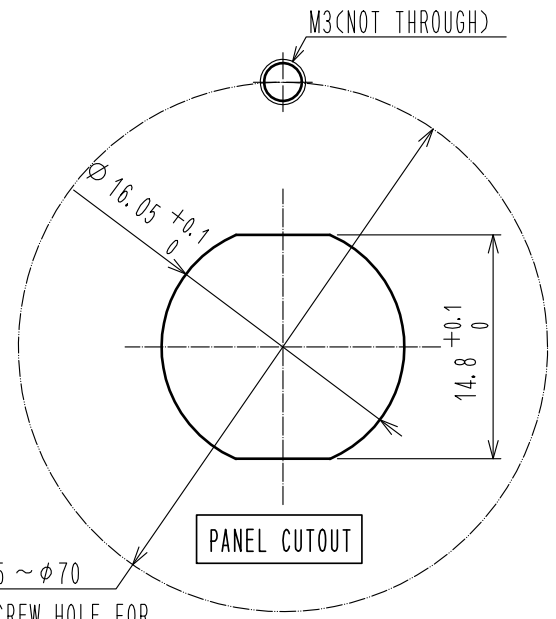


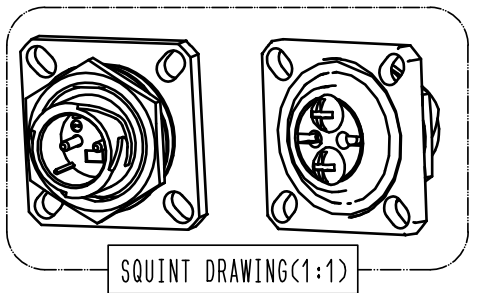
Aug.1.2018 Copyright 2018 HIROSE ELECTRIC CO., LTD. All Rights Reserved.
 In case that the application demands a high level of reliability, such as automotive,
 please contact a company representative for further information.



注 1 THESE DIMENSIONS INDICATE THE CONDITION AFTER CABLE ASSEMBLY.
 2 FERRULES ARE NOT INCLUDED IN THIS PRODUCT. MU FERRULES ARE SEPARATELY AVAILABLE.
 3. RECOMMENDED TIGHTENING TORQUE IS 3.0N · m OF REF. 2.



RANGE OF $\phi 35 \sim \phi 70$
 (RANGE OF SCREW HOLE FOR
 DUST CAP INSTALLATION)



4	SYNTHETIC RUBBER		8	SYNTHETIC RUBBER	
3	BRASS	NICKEL PLATING	7	STAINLESS STEELS	
2	BRASS	NICKEL PLATING	6	PIANO WIRE	ZINC PLATING + BAKING
1	ZINC DIE CASTING	NICKEL PLATING	5	SYNTHETIC RESIN	
NO.	MATERIAL	FINISH . REMARKS	NO.	MATERIAL	FINISH . REMARKS
UNITS		SCALE	COUNT	DESCRIPTION OF REVISIONS	
mm		2 : 1	△	DESIGNED	CHECKED
HIROSE ELECTRIC CO., LTD.		APPROVED	18.02.02	DRAWING NO. EDC-176897-31-00	
		CHECKED	18.02.02	PART NO. MF10B-WRB01-0200(31)	
		DESIGNED	18.02.02	CODE NO. CL709-1010-4-31	
		DRAWN	18.02.02	1/1	