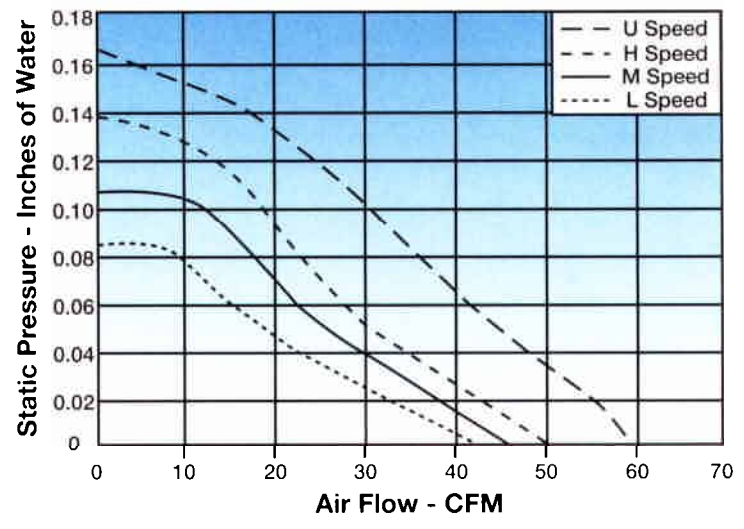
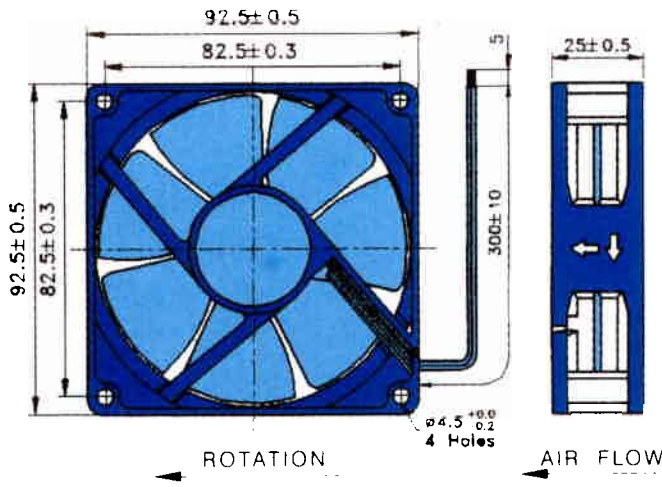




Features:

- Size: 3.62" x 1.00" wide (92mm x 25mm)
- Air Flow: 36 - 60 CFM
- Noise: 26.5 - 39.4 dBA
- Operating Voltage: 12 & 24 vdc
- Operating Temperature: -10°C to +70°C
- Storage Temperature: -40°C to +75°C
- Weight: .22 lb (101 g)
- Agencies: UL, CSA
- Ball Bearing Unit: (Sleeve Bearing Available)



Model No.	Part No.	Voltage Nominal (VDC)	Running Current (amps)	Power (Watts)	RPM	CFM	Static Pressure	Noise (dBA)
* CR0912UB-A70GL	032758	12	.39	4.68	3300	60.0	.166	39.4
* CR0912HB-A70GL	032760	12	.34	4.08	3000	50.0	.125	35.0
CR0912MB-A70GL	032762	12	.17	2.04	2600	45.0	.108	32.7
* CR0912LB-A70GL	032764	12	.12	1.44	2200	36.0	.087	26.5
CR0924UB-A70GL	032766	24	.21	5.04	3300	60.0	.166	39.4
* CR0924HB-A70GL	032768	24	.15	3.60	3000	50.0	.125	35.0
CR0924MB-A70GL	032770	24	.12	2.88	2600	45.0	.108	32.7
CR0924LB-A70GL	032772	24	.08	1.82	2200	36.0	.087	26.5

* Distributor Item

Comair Rotron

2675 Customhouse Court • San Ysidro CA 92173 • Ph (619) 661-6688 Fax (619) 661-1757
 E-mail: sales@comairrotron.com • Web: www.comairrotron.com