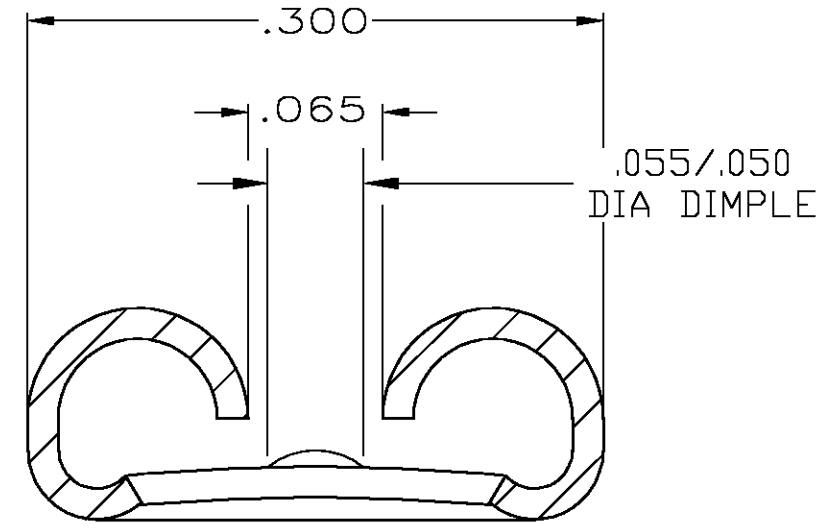
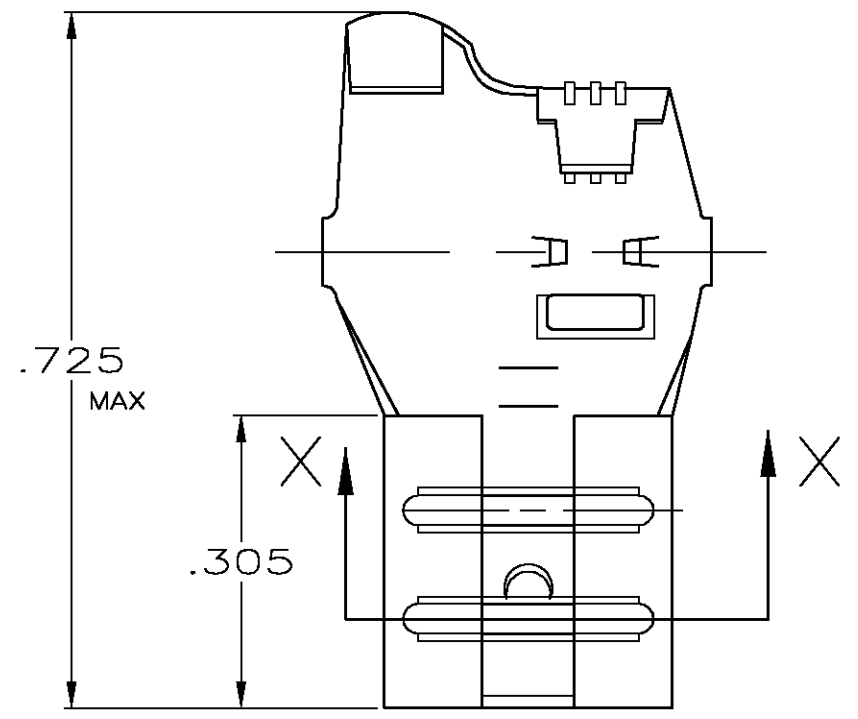


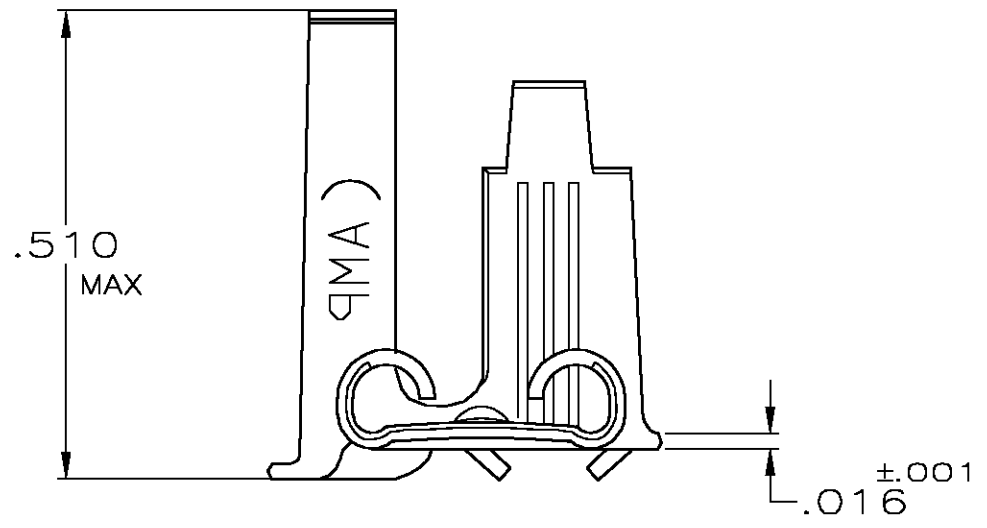
THIS DRAWING IS UNPUBLISHED. RELEASED FOR PUBLICATION
 © COPYRIGHT - BY TYCO ELECTRONICS CORPORATION. ALL RIGHTS RESERVED.

LOC	DIST	REVISIONS			
P	LTR	DESCRIPTION	DATE	DWN	APVD
AF	50	D	REV PER 0G3A-0389-03	24JUN03	JR PD

- 1 CONTINUOUS STRIP ON REELS
- 2 WIRE SIZE IS FOR TWO #14'S.
- 3 INSULATION RANGE IS FOR TWO AT .140 MAX DIA
- 4 MATING TAB THK IS .032±.001.



SECTION X-X
SCALE 10:1



1217876-1
PART NO.

THIS DRAWING IS A CONTROLLED DOCUMENT.		DWN JR RUTH 09SEP02	Tyco Electronics Corporation Harrisburg, PA 17105			
DIMENSIONS: INCHES		CHK P DESANTIS 09SEP02				
TOLERANCES UNLESS OTHERWISE SPECIFIED:		APVD P DESANTIS 09SEP02	NAME RECEPTACLE, FASTON, FLAG, .250 SERIES			
0 PLC ± - 1 PLC ± - 2 PLC ± - 3 PLC ± .010 4 PLC ± - ANGLES ± -		PRODUCT SPEC -	APPLICATION SPEC -			
MATERIAL H02 STEEL	FINISH .000150 NICKEL	WEIGHT -	SIZE A3	CAGE CODE 00779	DRAWING NO C-1217876	RESTRICTED TO -
CUSTOMER DRAWING			SCALE 5:1	SHEET 1 OF 1	REV D	