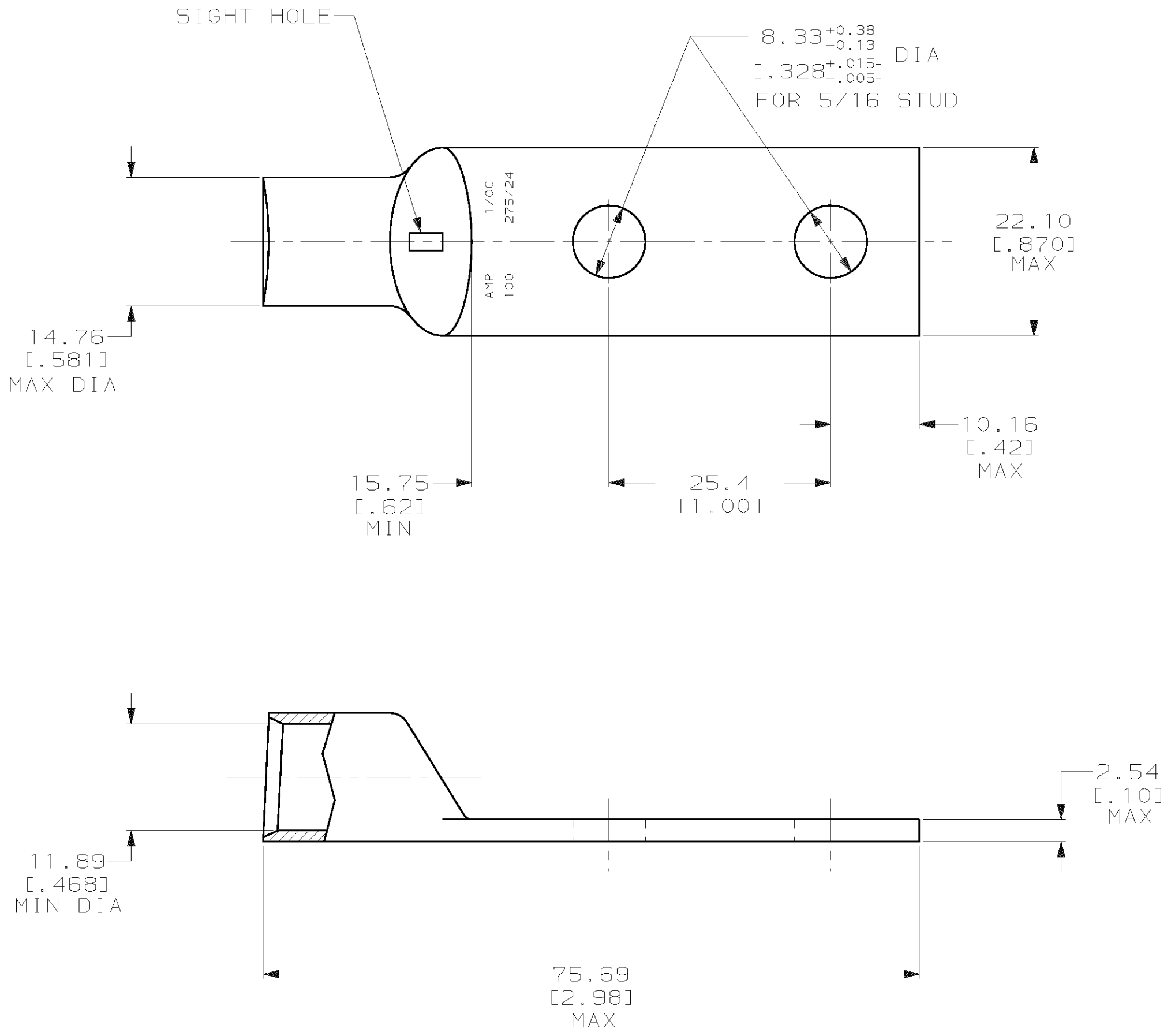


THIS DRAWING IS UNPUBLISHED. RELEASED FOR PUBLICATION, 19 .
 © COPYRIGHT 19 BY AMP INCORPORATED. ALL INTERNATIONAL RIGHTS RESERVED.

LOC		DIST		REVISIONS				DATE	APPD
ZONE	LTR	DESCRIPTION	DATE	APPD					
G	86	P	F	E	REV PER 0G3A-0561-01	09OCT02	JR/MS		



- 1 CIRCULAR MIL RANGE: 83,700-119,500 CM
- 2 NICKEL PL 0.00254 [.000100] MIN THK PER QQ-N-290

328169

328169
PART NO

DO NOT SCALE PRINT. UNLESS SPECIFIED DIMENSIONS IN mm [INCHES] TOLERANCES ON : 2 PLC DEC ± 0.51 [.020] 3 PLC DEC ± - ANGLES ± -	DR 03/09/90 DK SCHRUM	AMP INCORPORATED Harrisburg, Pa. 17105
	CHK 31AUG94 MS FEHER	
MATERIAL ANNEALED COPPER ASTM B-75	APPD 31AUG94 WJ VOCKROTH	NAME TERMINAL, AMPPOWER™ WIRE SIZE: 1/0 AWG
	APPD 31AUG94 TL SHUTTER	PRODUCT SPEC -
FINISH △	APPLICATION SPEC -	SIZE C
	WEIGHT .062 LB	CAGE CODE 00779
		DRAWING NO 328169
		SCALE 2:1
		SHEET 1 OF 1

