

DO NOT SCALE FROM THIS PRINT

No. OF POS	"C"
-019	.950 [24.13]
-038	1.450 [36.83]
-057	1.950 [49.53]
-076	2.450 [62.23]
-095	2.950 [74.93]
-114	3.450 [87.63]
-133	3.950 [100.33]

No OF POSITIONS	COPLANARITY
-019, -038, -057, -076	.004[0.10]
-095, -114, -133	.006[0.15]

MIT-XXX-XX-X-D-XX

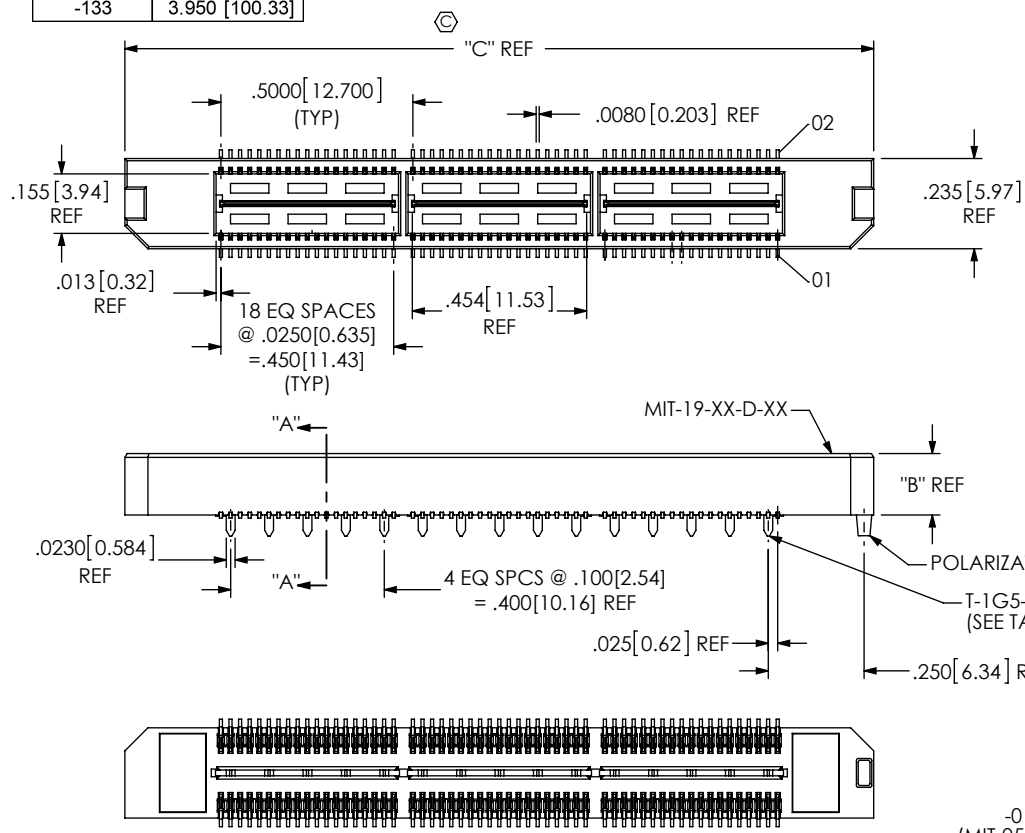
No OF POSITIONS
 -019, -038, -057, -076,
 **-.095, **-.114, **-.133
 (PER ROW)
 (** = SEE NOTE 11)

LEAD STYLE
 -01: .1680[4.267]
 -02: .2861[7.267]
 -03: .4042[10.267]
 -04: .6000[15.240]
 -05: .7080[17.983]
 -06: .8350[21.209]

OPTION
 -K: POLYAMIDE FILM PAD
 (USE K-DOT-.276-.375-.005, SEE FIG 3, SHT 2)
 -TR: TAPE & REEL (076 POS MAX)
 (N/A ON STYLE -05, -06, -07 & -08)

ROW SPECIFICATION
 -D: DOUBLE (USE MIT-19-XX-D-XX
 & MITH-19-XX-D-XX)

No OF BANKS



PLATING SPECIFICATION
 -F: 3μ" FLASH SELECTIVE GOLD IN CONTACT AREA, MATTE TIN ON TAIL (USE T-1SXX-XX-F & T-1G5-XX-F) (SEE NOTE 10)
 -L: 10μ" LIGHT SELECTIVE GOLD IN CONTACT AREA, MATTE TIN ON TAIL (USE T-1SXX-XX-L & T-1G5-XX-L)
 -H: 30μ" HEAVY GOLD IN CONTACT AREA, 3μ" GOLD ON TAIL (USE T-1SXX-XX-H & T-1G5-XX-L)
 -C: 50μ" ELECTRO-POLISHED SELECTIVE GOLD IN CONTACT AREA, MATTE TIN ON TAIL (USE T-1SXX-XX-C & T-1G5-XX-L)

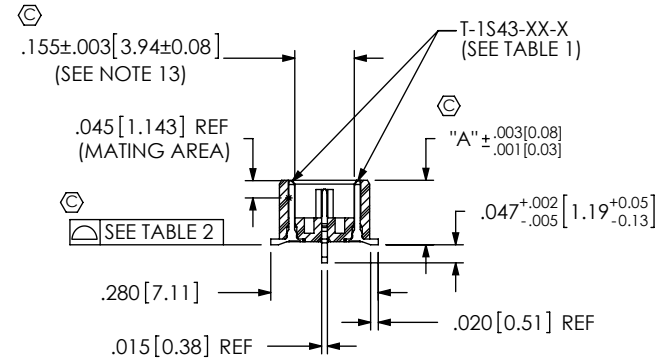


FIG 1
 -01 LEAD STYLE
 (MIT-057-01-X-D SHOWN)
 (STYLE -01 & -02 ONLY)

STYLE	"A"	"B"	"D"	BODY	TERMINAL	GROUND PLANE	SPACER	MATED HEIGHT WITH MIS-01
-01	.1680[4.267]	.1600[4.064]	N/A	MIT-19-01-D-XX	T-1S43-01-X	T-1G5-01-X	N/A	.198[5.03] REF
-02	.2861[7.267]	.2781[7.064]	N/A	MIT-19-02-D-XX	T-1S43-02-X	T-1G5-02-X	N/A	.316[8.03] REF
-03	.4042[10.267]	.3962[10.063]	0.1180[2.997]	MIT-19-02-D-XX	T-1S50-03-X	T-1G5-03-X	MITH-19-01-D-XX	.434[11.02] REF
-04	.6000[15.240]	.5920[15.037]	0.1180[2.997]	MIT-19-02-D-XX	T-1S50-04-X	T-1G5-04-X	MITH-19-01-D-XX	.630[16.00] REF
-05	.7080[17.983]	.7000[17.780]	0.2780[7.061]	MIT-19-02-D-XX	T-1S50-05-X	T-1G5-05-X	MITH-19-02-D-XX	.738[18.75] REF
-06	.8350[21.209]	.8270[21.006]	0.2780[7.061]	MIT-19-02-D-XX	T-1S50-06-X	T-1G5-06-X	MITH-19-02-D-XX	.866[22.00] REF

- NOTES:
1. Ⓢ REPRESENTS A CRITICAL DIMENSION.
 2. COPLANARITY: SEE TABLE 2.
 3. MAXIMUM BURR ALLOWANCE: .0015[0.038] .
 4. MINIMUM TERMINAL RETENTION: 8 OZ.
 5. MINIMUM GROUND PLANE RETENTION: 1 LB.
 6. MAXIMUM ALLOWABLE BOW: .002[0.05] INCH/INCH AFTER ASSEMBLY.
 7. PARTS TO BE MOLDED TO POSITION.
 8. NOTE DELETED.
 9. NOTE DELETED.
 10. -L PLATING CAN BE SUBSTITUTED FOR -F PLATING, -L PLATED GROUND PLANE CAN BE SUBSTITUTED FOR -F PLATED GROUND PLANE.
 11. APPLICATIONS REQUIRING THESE POSITIONS, PLEASE CONTACT SAMTEC INTERCONNECT PROCESSING GROUP.
 12. PARTS TO BE PACKAGED IN TRAYS.
 13. PIN CAN EXTEND PAST WALL .003[0.08] MAX.

UNLESS OTHERWISE SPECIFIED, DIMENSIONS ARE IN INCHES. TOLERANCES ARE: DECIMALS ANGLES .XX: ±.01[.3] ± 2° .XXX: ±.005[.13] .XXXX: ±.0020[.051]

PROPRIETARY NOTE
 THIS DOCUMENT CONTAINS CONFIDENTIAL AND PROPRIETARY INFORMATION AND ALL DESIGN, MANUFACTURING, REPRODUCTION, USE, PATENT RIGHTS AND SALES RIGHTS ARE EXPRESSLY RESERVED BY SAMTEC, INC. THIS DOCUMENT SHALL NOT BE DISCLOSED, IN WHOLE OR PART, TO ANY UNAUTHORIZED PERSON OR ENTITY NOR REPRODUCED, TRANSFERRED OR INCORPORATED IN ANY OTHER PROJECT IN ANY MANNER WITHOUT THE EXPRESS WRITTEN CONSENT OF SAMTEC, INC.

MATERIAL: DO NOT SCALE DRAWING SHEET SCALE: 2:1 DESCRIPTION: .635mm DOUBLE ROW HS TERMINAL ASSEMBLY

INSULATOR: LCP, UL94V-0; COLOR: BLACK
 TERMINAL: PHOS BRONZE
 GROUND PLANE: PHOS BRONZE

520 PARK EAST BLVD, NEW ALBANY, IN 47150
 PHONE: 812-944-6733 FAX: 812-948-5047
 e-Mail: info@SAMTEC.com code: 55322

samtec

DWG. NO. MIT-XXX-XX-X-D-XX

BY: DEAN P 7/7/1999 SHEET 1 OF 2

F:\DWG\MISC\MKTG\MIT-XXX-XX-X-D-XX-MKT.SLDDRW

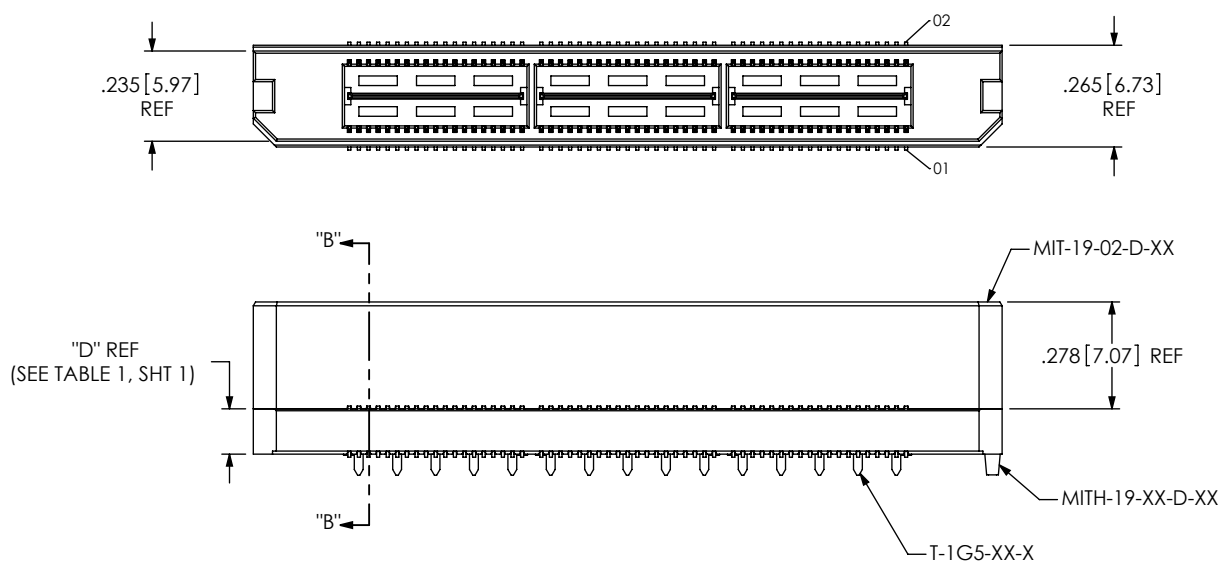
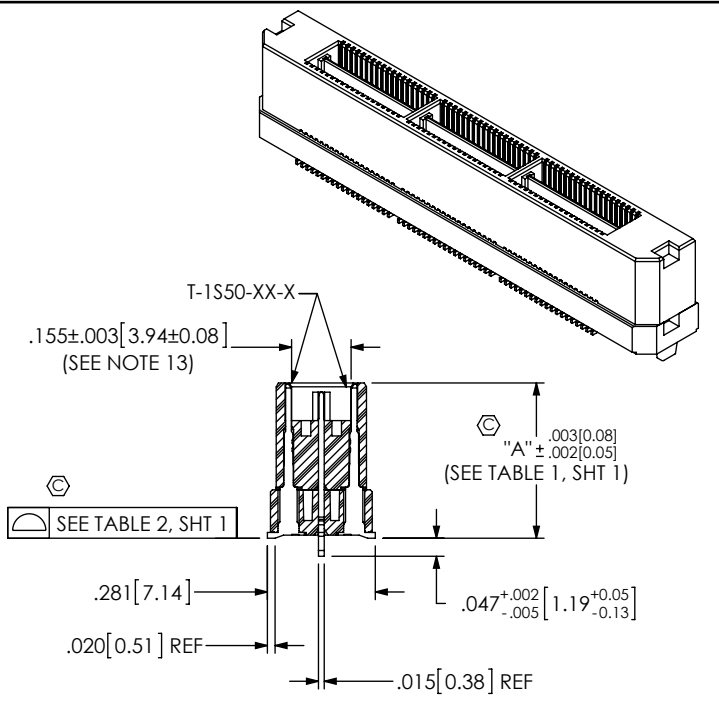


FIG 2
-03 LEAD STYLE
(MIT-057-03-X-D SHOWN)
(DIFFERENT AS SHOWN, OTHERWISE SAME AS FIG 1)
(STYLE -03, -04, -05, & -06)



SECTION "B"-"B"

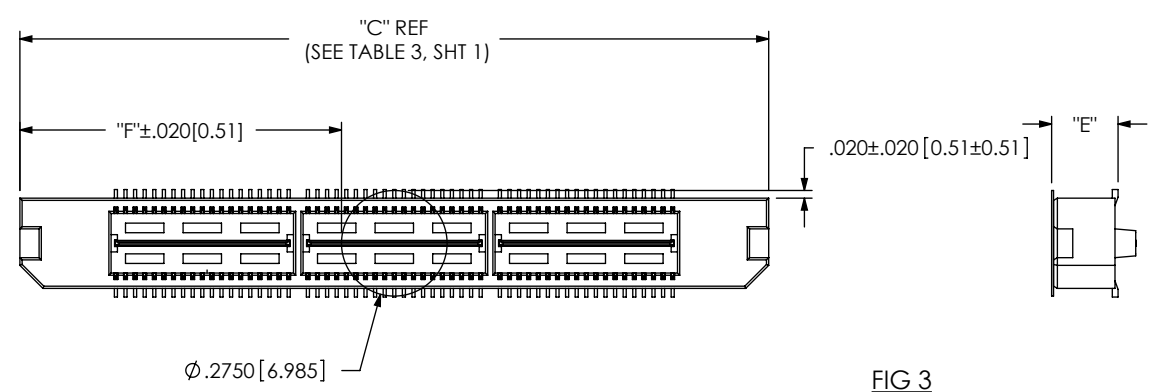


FIG 3
-K: POLYAMIDE FILM PAD OPTION

TABLE 4	
STYLE	"E"
-01	.173 [4.39]
-02	.291 [7.39]
-03	.409 [10.39]
-04	.605 [15.37]
-05	.713 [18.11]
-06	.841 [21.36]

TABLE 5	
No. OF POS	"F"
-019	.338 [8.57]
-038	.588 [14.92]
-057	.838 [21.27]
-076	1.088 [27.62]
-095	1.338 [33.97]
-114	1.588 [40.32]
-133	1.838 [46.67]

CRITICAL DIMENSION INSPECTION INSTRUCTION TABLE	
ASSEMBLY OPERATION	IN PROCESS INSPECTION
FILL T-1SXX	C1, C2, C3, C4, C5, C6
ADD -K OPTION	C7, C8

PROPRIETARY NOTE
THIS DOCUMENT CONTAINS CONFIDENTIAL AND PROPRIETARY INFORMATION AND ALL DESIGN, MANUFACTURING, REPRODUCTION, USE, PATENT RIGHTS AND SALES RIGHTS ARE EXPRESSLY RESERVED BY SAMTEC, INC. THIS DOCUMENT SHALL NOT BE DISCLOSED, IN WHOLE OR PART, TO ANY UNAUTHORIZED PERSON OR ENTITY NOR REPRODUCED, TRANSFERRED OR INCORPORATED IN ANY OTHER PROJECT IN ANY MANNER WITHOUT THE EXPRESS WRITTEN CONSENT OF SAMTEC, INC.

DO NOT SCALE DRAWING

SHEET SCALE: 2:1

samtec
520 PARK EAST BLVD, NEW ALBANY, IN 47150
PHONE: 812-944-6733 FAX: 812-948-5047
e-Mail: info@SAMTEC.com code: 55322

DESCRIPTION:
.635mm DOUBLE ROW HS TERMINAL ASSEMBLY

DWG. NO.
MIT-XXX-XX-X-D-XX

BY: DEAN P 7/7/1999 SHEET 2 OF 2