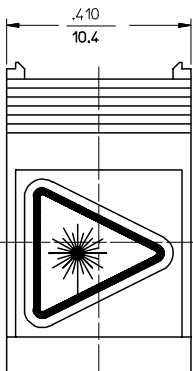
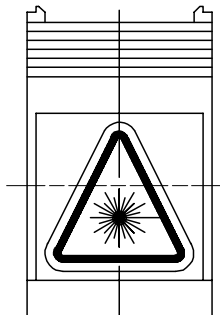


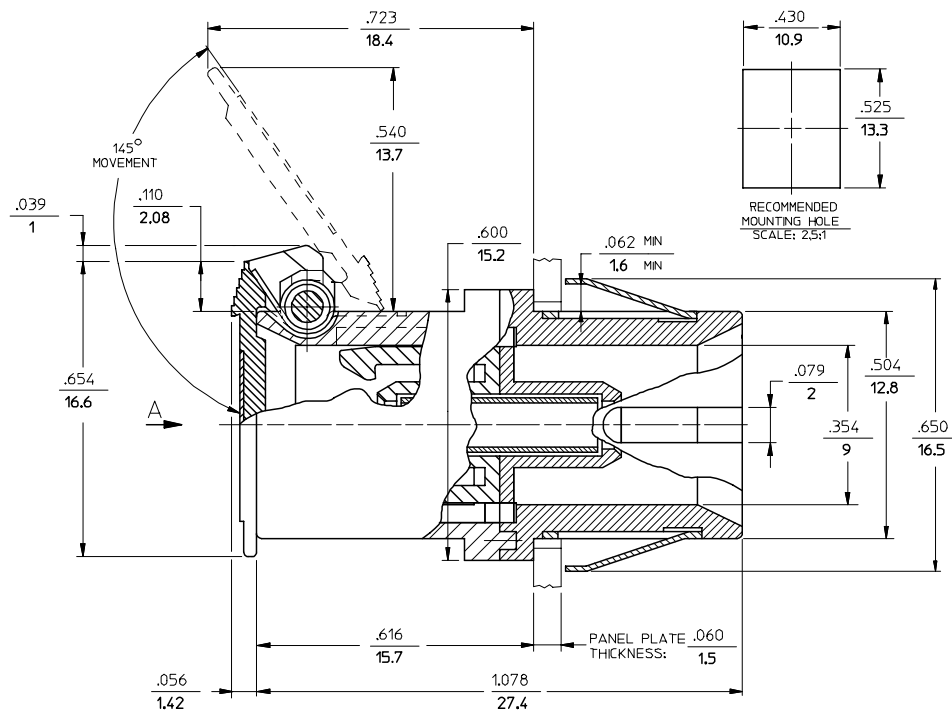
ADAPTER P/N	SPLIT SLEEVE MATERIAL	COLOR OF ADAPTER	DUST CAP COLOR
106170-2400	ZR	BLACK	GRAY
106170-2420		GREEN	
106170-2430		RED	
106171-2400	PHOSPHOR BRONZE	BLACK	YELLOW
106171-2420		GREEN	
106171-2430		RED	
106194-1440		BLACK	



VIEW A  
VERSION 1



VIEW A  
VERSION 2



RECOMMENDED MOUNTING HOLE  
SCALE: 2:51

- NOTES:
1. ALL DIMENSIONS ARE GIVEN IN  $\frac{\text{INCHES}}{\text{mm}}$
  2. LABEL MUST BE INSTALLED AND ORIENTED BY CUSTOMER. (SEE VIEW A)
  3. DUST CAP NOT SHOWN.

ENTER DESCRIPTION FCC NO: MF2007-0207 DRAWN/REV: ZNER 2006/09/22 CHKD: 2006/09/22 APPR: JGUMIN 2006/09/22 REV: A1	QUALITY SYMBOLS ▽=0 ▽=0	GENERAL TOLERANCES (UNLESS SPECIFIED)		DIMENSION STYLE IN/MM		SCALE 4:1	DESIGN UNITS INCH	THIRD ANGLE PROJECTION	
		4 PLACES ± --- ± ---	3 PLACES ± --- ± ---	2 PLACES ± --- ± ---	1 PLACE ± --- ± ---	DRAWN BY	DATE	TITLE	BSC- 2 ADAPTER WITH SHUTTER
ANGULAR ±1/2°		DRAFT WHERE APPLICABLE MUST REMAIN WITHIN DIMENSIONS		SEE TABLE		MATERIAL NO.		DOCUMENT NO.	
						MOLEX INCORPORATED		SD-10617Y-24Y0	
						SHEET NO.		1 OF 1	