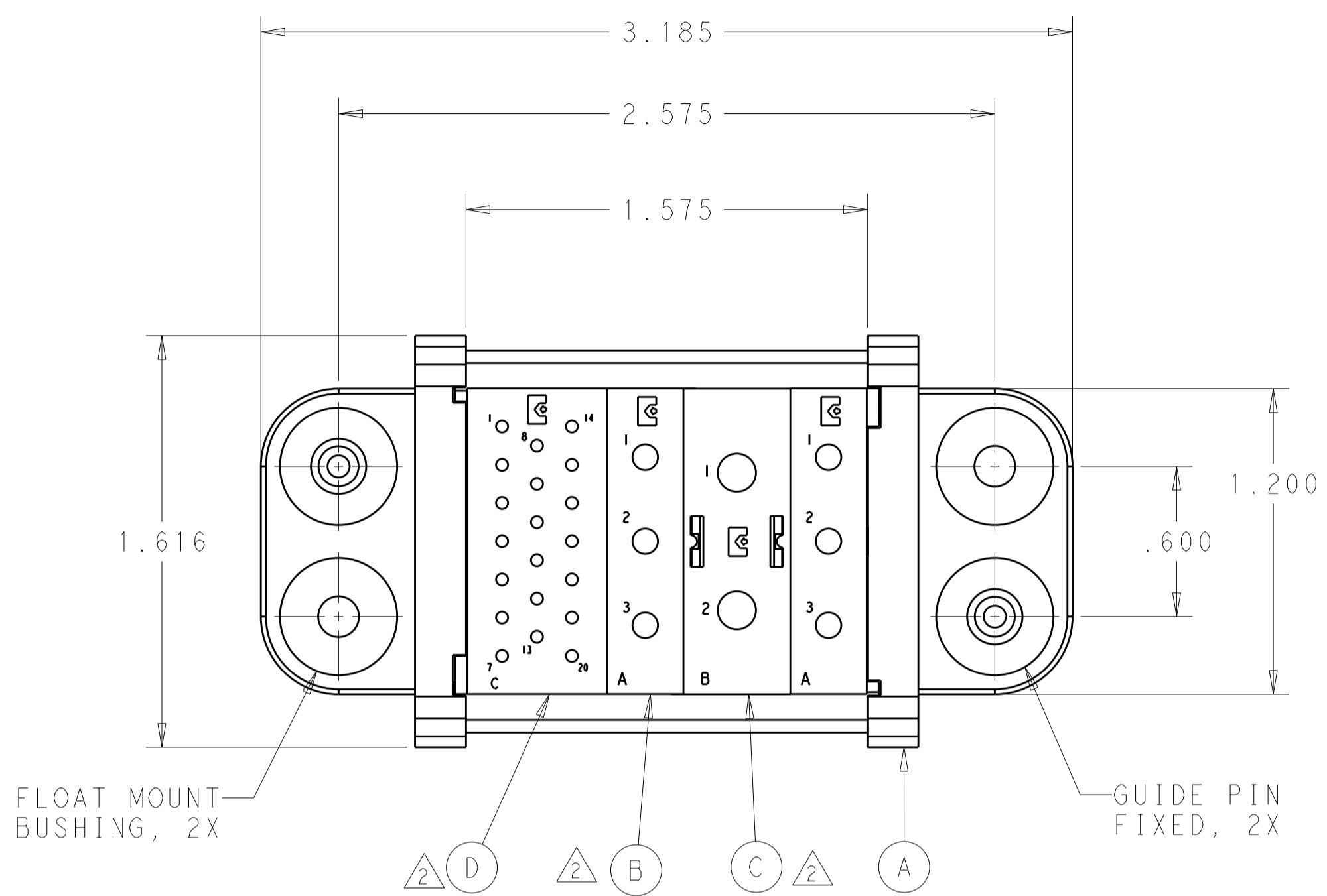


THIS DRAWING IS UNPUBLISHED. RELEASED FOR PUBLICATION 20  
 © COPYRIGHT 20 TE ALL RIGHTS RESERVED.

LOC		DIST		REVISIONS			
P	LTR	DESCRIPTION	DATE	DWN	APVD		
	B	REV PER ECO-11-020271	07OCT2011	RG	DO		



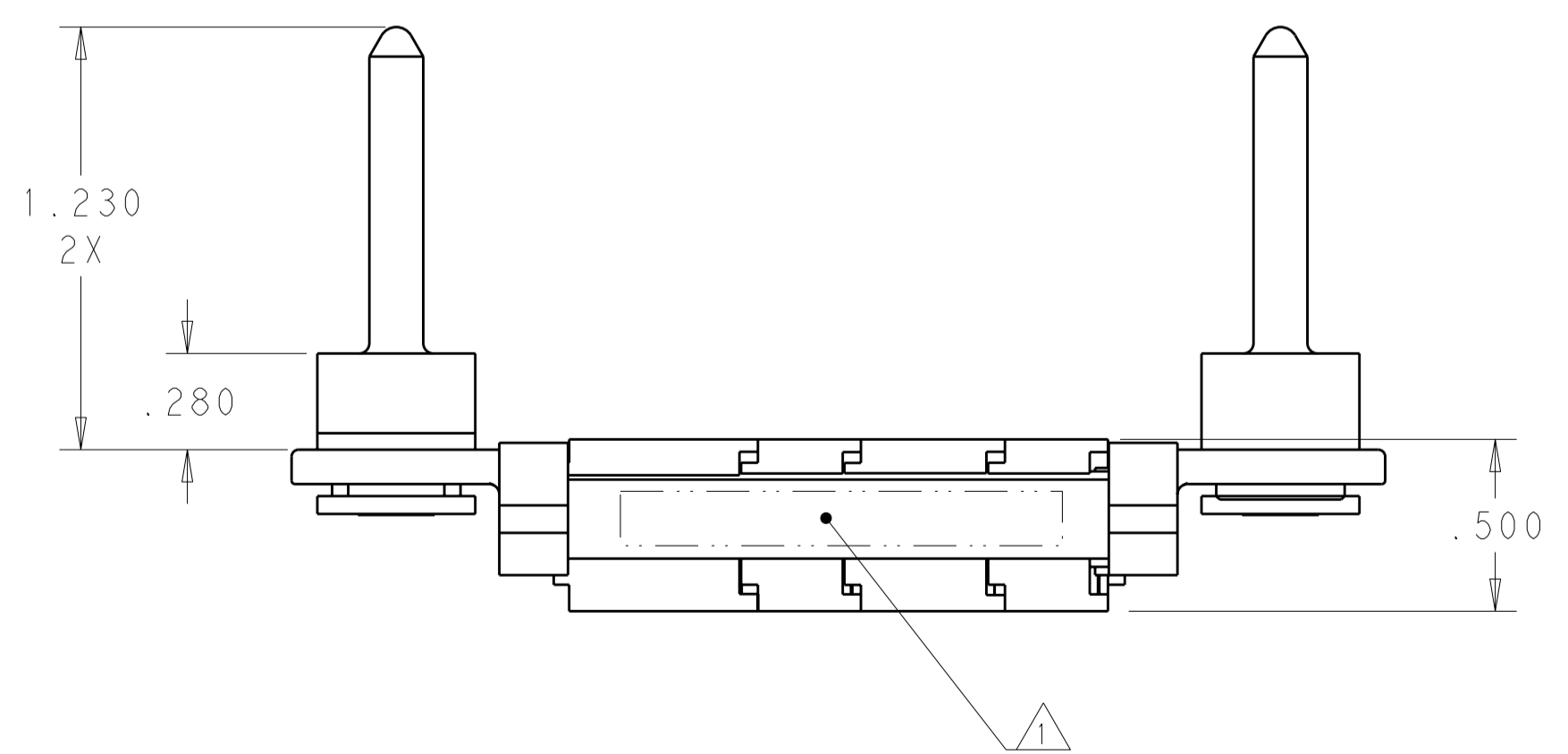
△1 ITEMS PROVIDED TO THIS SPECIFICATION TO BE PERMANENTLY IDENTIFIED PER THE FOLLOWING IDENTIFIER:

TE PART NUMBER AND MANUFACTURING DATE CODE

△2 MODULES ARE FOR CRIMP STYLE REMOVABLE CONTACTS (ITEMS E, F AND G). THEY ARE PACKAGED SEPARATELY WITH AN INSERTION/ REMOVAL TOOL AND WILL BE SHIPPED LOOSE WITH THE ASSEMBLY.

△3 MOUNTING FLANGE BUSHING ACCEPTS 6/32 SCREW (Ø.156 CLEARANCE HOLE, FLOAT MOUNT) OR 8/32 SCREW (Ø.173 CLEARANCE HOLE, FIXED MOUNT) USER SUPPLIED.

4. CONNECTOR MATES WITH P/N 2085849-1



△2	20	1650155-1	PIN CONTACT, SIZE No. 20, CRIMP	G
△2	6	1766193-1	PIN CONTACT, SIZE No. 12, CRIMP	F
△2	2	1766192-1	PIN CONTACT, SIZE No. 8, CRIMP	E
	1	1648463-1	MODULE "C"	D
	1	1648462-1	MODULE "B"	C
	2	1648461-1	MODULE "A"	B
	2	6648251-1	END CAP, GUIDE PIN, FLOAT	A
	-1	PART NO.	DESCRIPTION	ITEM

THIS DRAWING IS A CONTROLLED DOCUMENT.		DWN R. GRZYBOWSKI 12AUG2011	TE Connectivity	
DIMENSIONS: INCHES		CHK D. ORRIS 12AUG2011		
TOLERANCES UNLESS OTHERWISE SPECIFIED:		APVD D. ORRIS 12AUG2011	NAME PIN CONNECTOR ASSEMBLY CRIMP CONTACTS W/ PANEL CUT-OUT, DOMINO	
0 PLC ± 1 PLC ± 2 PLC ±.02 3 PLC ±.010 4 PLC ± ANGLES ± FINISH ±		PRODUCT SPEC -	SIZE A200779C-2085848	
MATERIAL -		APPLICATION SPEC -	RESTRICTED TO -	
		WEIGHT -	SCALE 2:1 SHEET 1 OF 2 REV B	
		CUSTOMER DRAWING		

ELCON DOMINO

4

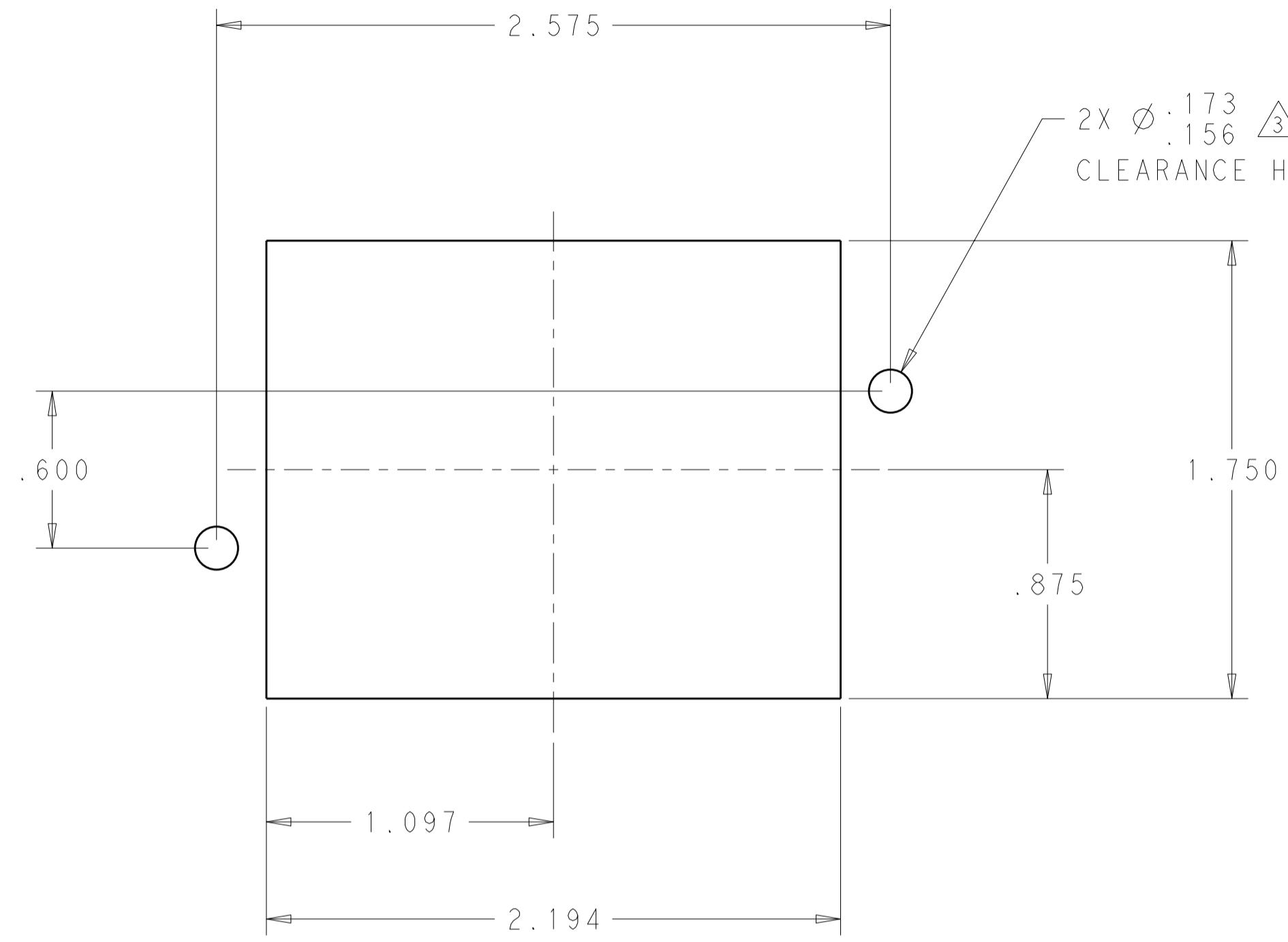
3

2

1

THIS DRAWING IS UNPUBLISHED.      RELEASED FOR PUBLICATION      20  
 © COPYRIGHT 20      TE      ALL RIGHTS RESERVED.

LOC	DIST	REVISIONS			
P	LTR	DESCRIPTION	DATE	DWN	APVD
GP	00	-	SEE SHEET 1	-	-



PIN CONNECTOR PANEL CUT-OUT

ELCON DOMINO

THIS DRAWING IS A CONTROLLED DOCUMENT.		DWN R. GRZYBOWSKI 12AUG2011	<b>STE</b> TE Connectivity	
DIMENSIONS: INCHES		CHK D. ORRIS 12AUG2011		
TOLERANCES UNLESS OTHERWISE SPECIFIED:		APVD D. ORRIS 12AUG2011	NAME PIN CONNECTOR ASSEMBLY CRIMP CONTACTS W/ PANEL CUT-OUT, DOMINO	
0 PLC ± 1 PLC ± 2 PLC ±.02 3 PLC ±.010 4 PLC ±		PRODUCT SPEC -	SIZE A200779	
MATERIAL -		APPLICATION SPEC -	DRAWING NO C-2085848	
FINISH -		WEIGHT -	RESTRICTED TO -	
CUSTOMER DRAWING		SCALE 2:1		SHEET 2 OF 2 REV B