

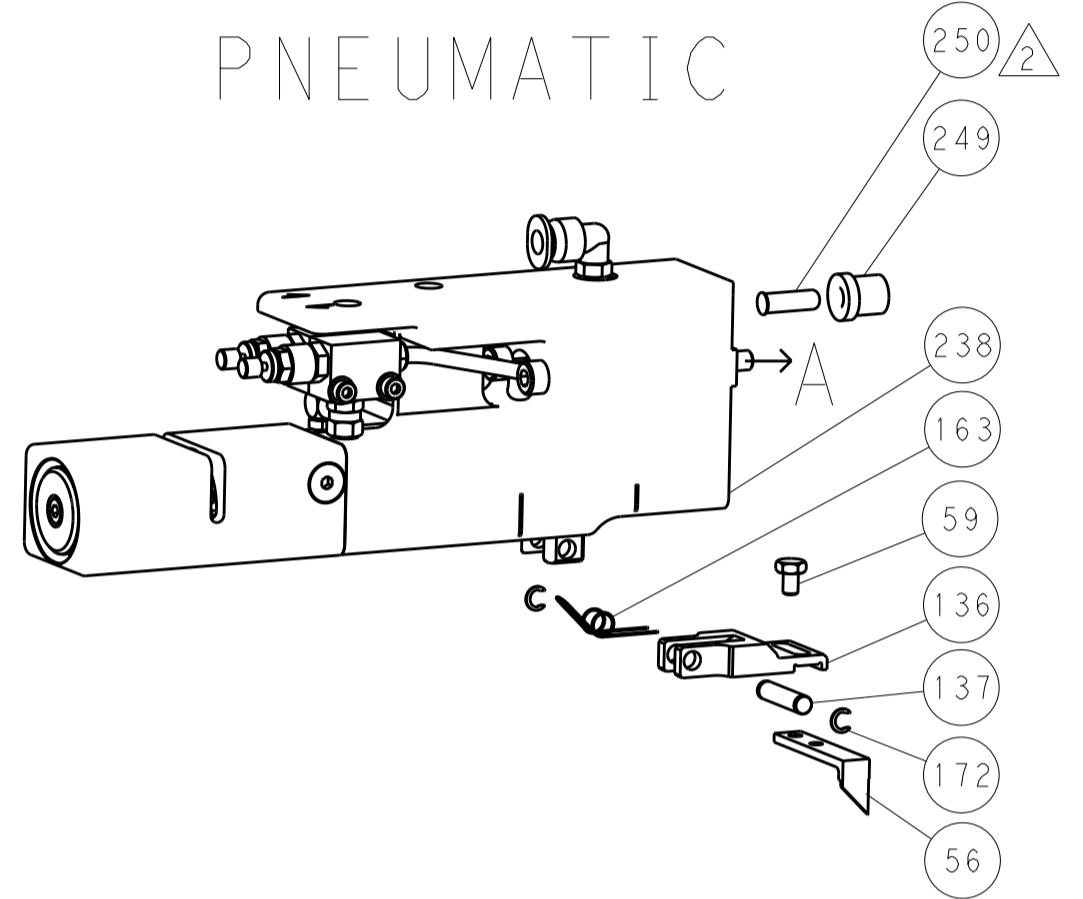


REVISES		DATE	BY	APPROVED
LOC	DIST			
A	66			
P	LTM			
DESCRIPTION				
SEE SHEET 1				

### FEED TYPE MECHANICAL



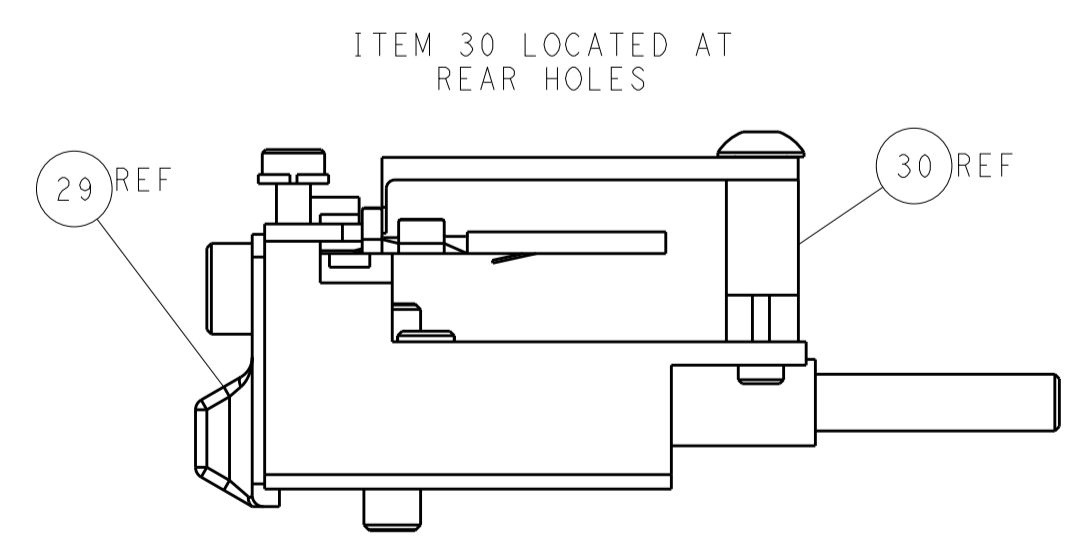
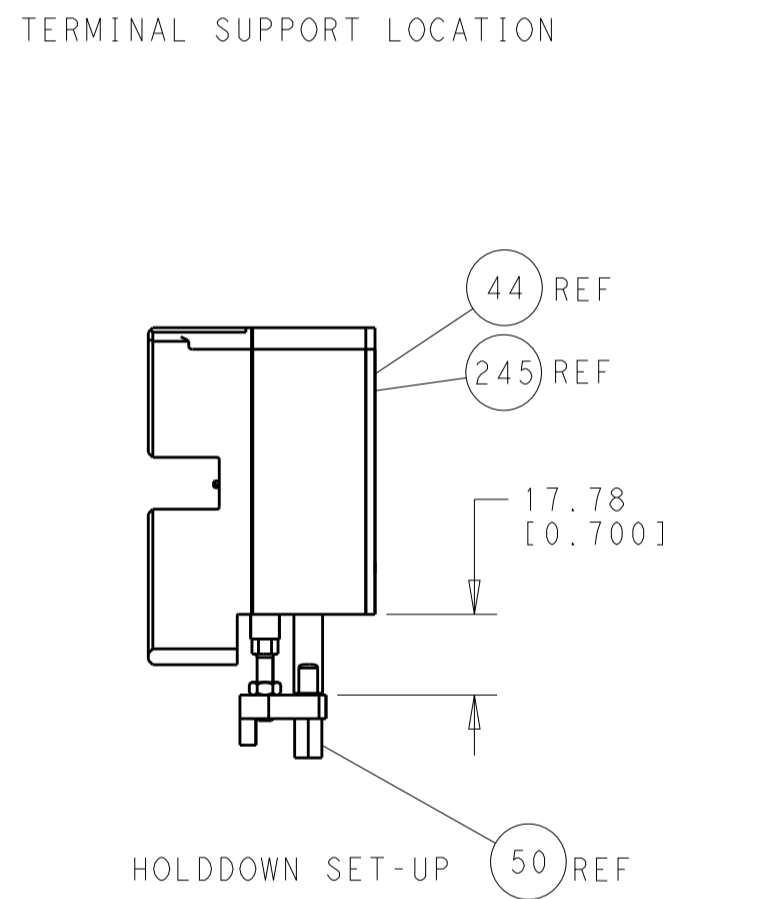
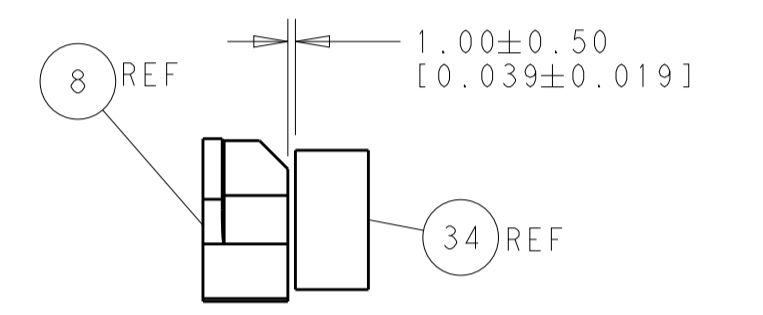
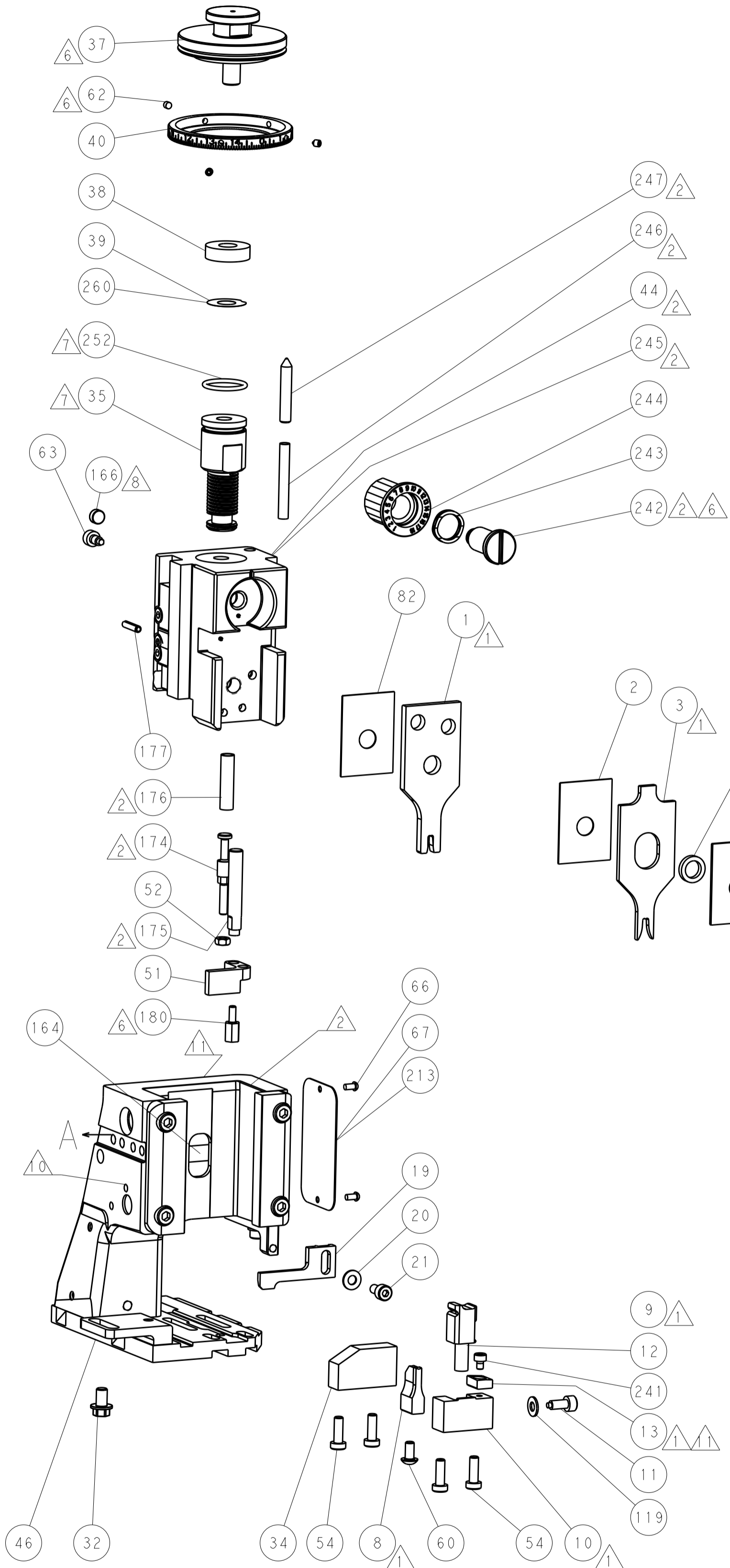
### PNEUMATIC



### SERVO LATCH PLATE



### CAM POSITIONS



FEED TRACK POSITION GUIDE BY INSULATION BARREL

**ATLANTIC VERSION**  
 Shown on sheets 1 of 4 & 2 of 4  
 (Pacific version shown on sheets 3 of 4 & 4 of 4)

DIMENSIONS:		TOLERANCES UNLESS OTHERWISE SPECIFIED:		OWN: HOFFNER 23MAY2013	TE Connectivity
mm	0 PLC ±0.1	1 PLC ±0.1	2 PLC ±0.02	CHK: T. ELBIN 24MAY2013	Harrisburg, PA 17105-3608
	3 PLC ±0.005	4 PLC ±0.0005	ANGLES ±	APVD: T. ELBIN 24MAY2013	
MATERIAL:	FINISH:	WEIGHT:	SCALE: 1:1	NAME: Ocean Side Feed Applicator	RESTRICTED TO:
			SHEET 2 OF 4	SIZE: A1 CAGE CODE: 00779 ©=2151958	
Customer Accessible Production Drawing				REV: A	

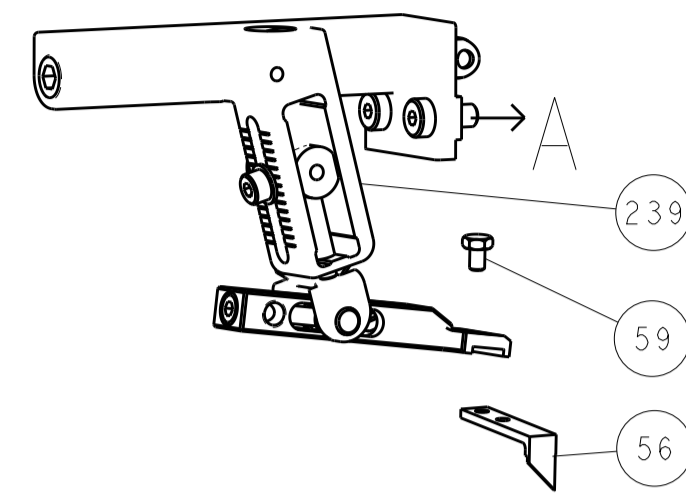
DIMENSIONING AND TOLERANCING PER ASME Y14.5M-2003



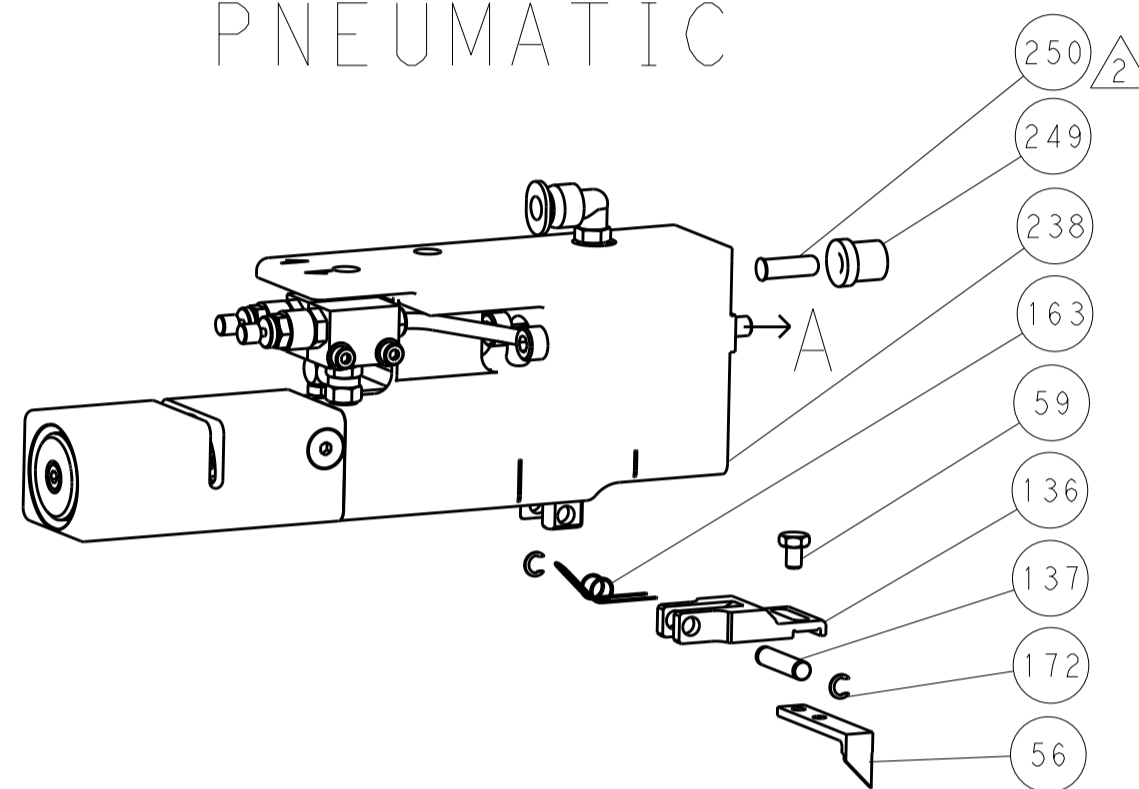
LOC		DIST		REVISIONS			
A	66	P	LTM	DESCRIPTION	DATE	OWN	APVD
		-	-	SEE SHEET 1	-	-	-

DIMENSIONING AND TOLERANCING PER ASME Y14.5M-2003

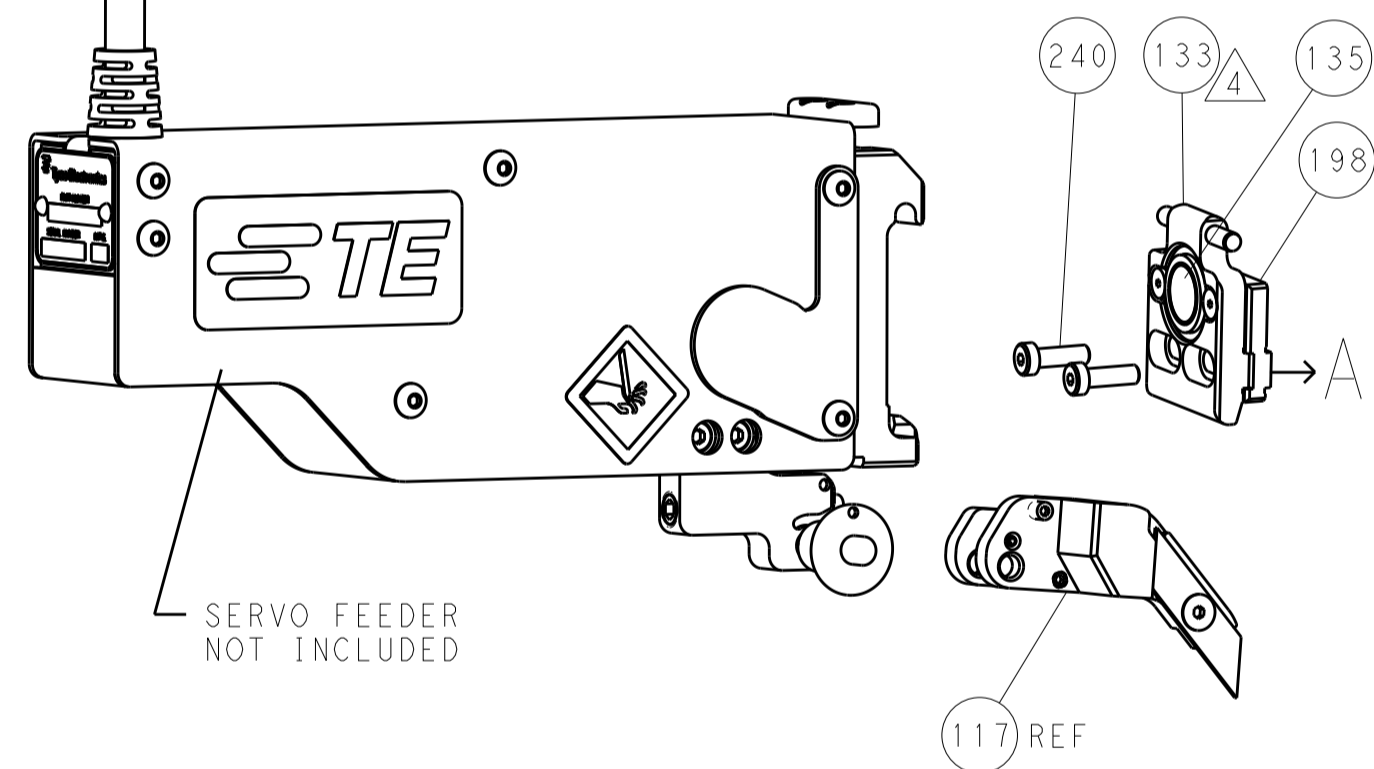
### FEED TYPE MECHANICAL



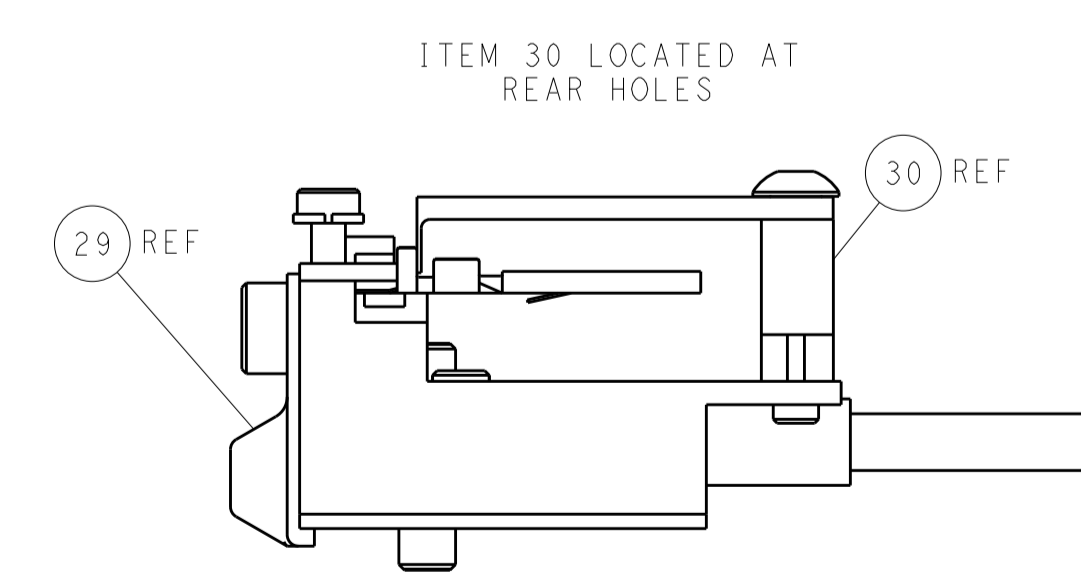
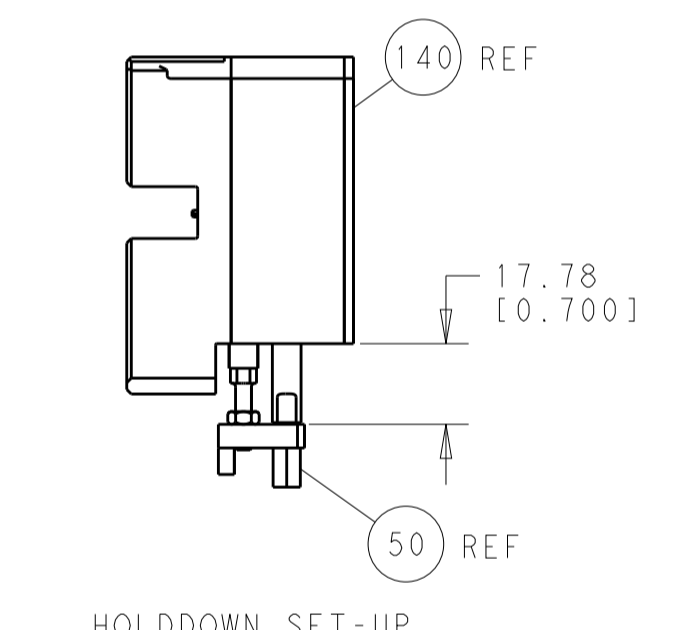
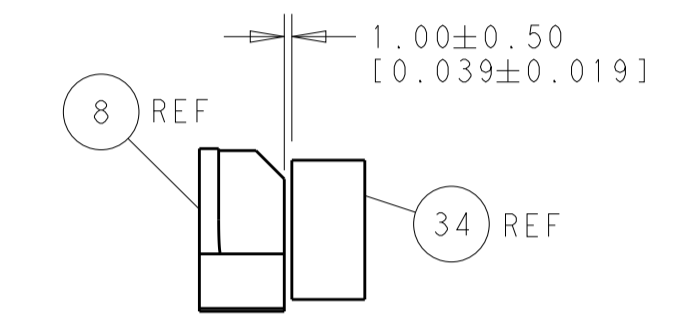
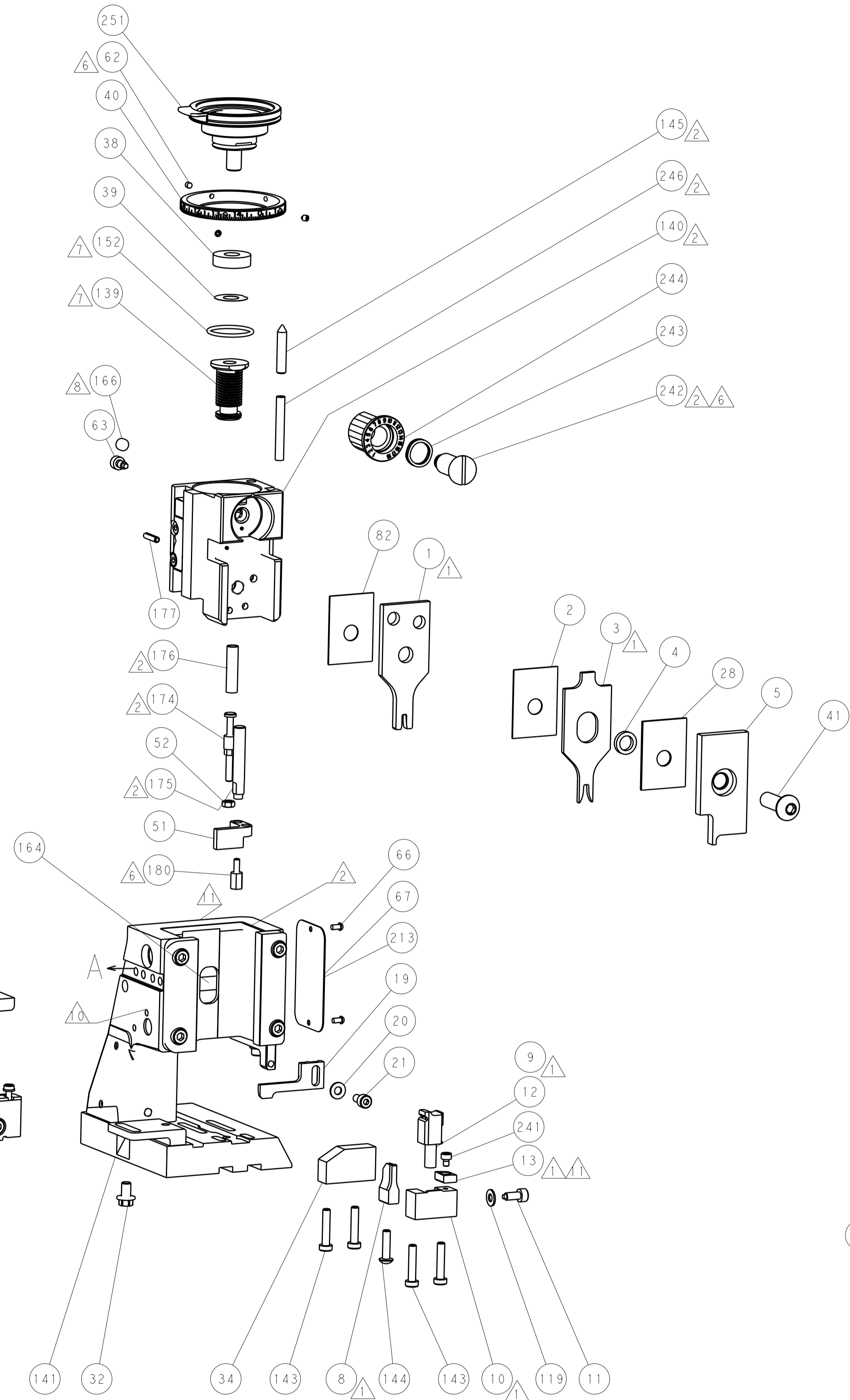
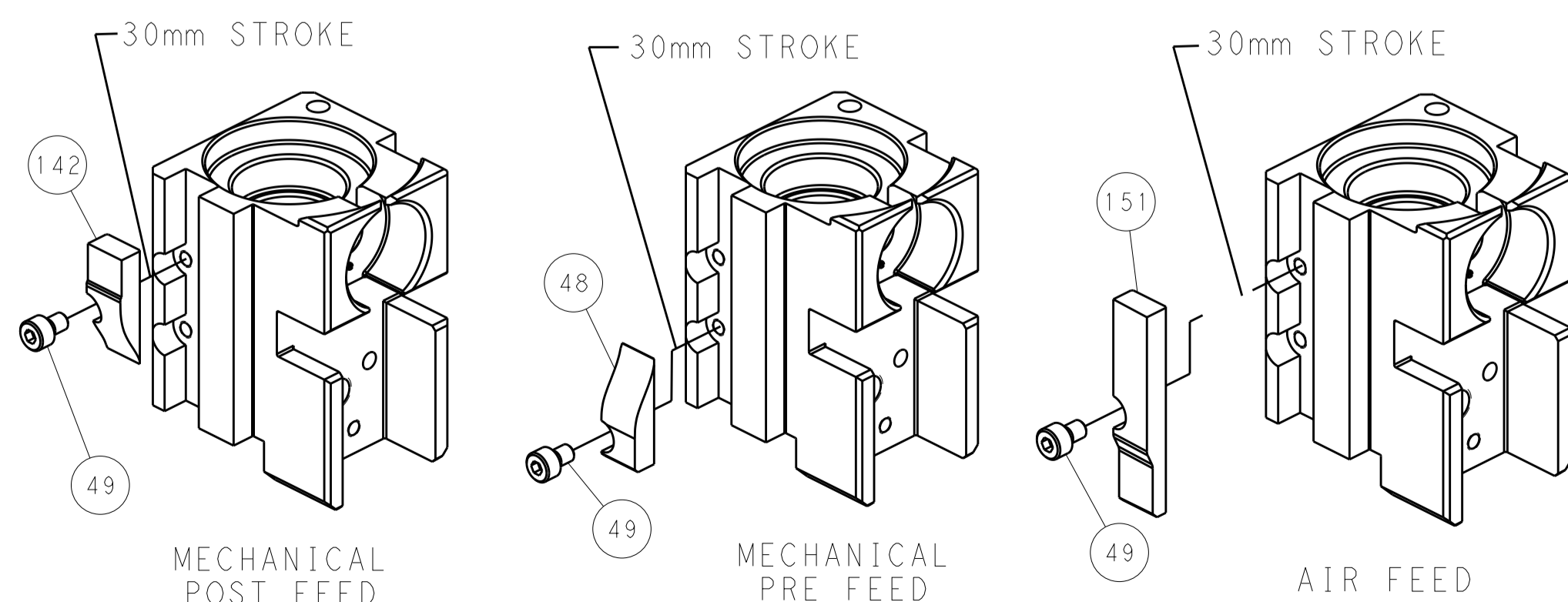
### PNEUMATIC



### SERVO LATCH PLATE



### CAM POSITIONS



**PACIFIC VERSION**  
 Shown on sheets 3 of 4 & 4 of 4  
 (Atlantic version shown on sheets 1 of 4 & 2 of 4)

<small>THE DRAWING IS UNPUBLISHED. IT IS THE PROPERTY OF TYCO ELECTRONICS CORPORATION. IT IS SUBJECT TO CHANGE AND WITHOUT WARRANTY OF MERCHANTABILITY. SHOULD BE CONTACTED FOR THE LATEST REVISION.</small>		DWN: HOFFNER 23MAY2013 CHK: T. ELBIN 24MAY2013 APVD: T. ELBIN 24MAY2013	TE Connectivity Harrisburg, PA 17105-3608
DIMENSIONS: mm TOLERANCES UNLESS OTHERWISE SPECIFIED: 0 PLC ±0.1 1 PLC ±0.1 2 PLC ±0.02 3 PLC ±0.005 4 PLC ±0.0005 ANGLES ±0.0005		NAME: Ocean Side Feed Applicator PRODUCT SPEC: APPLICATION SPEC: SIZE: A1 CAGE CODE: 00779 DRAWING NO: C=2151958	RESTRICTED TO: SCALE: 1:1 SHEET: 4 OF: 4 REV: A