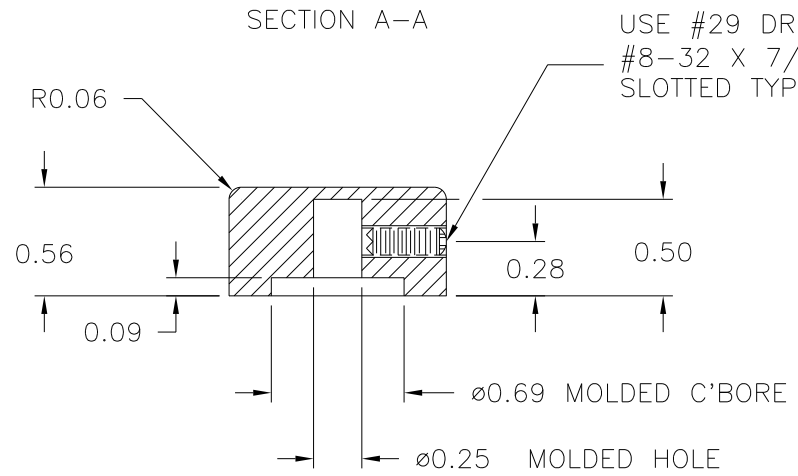
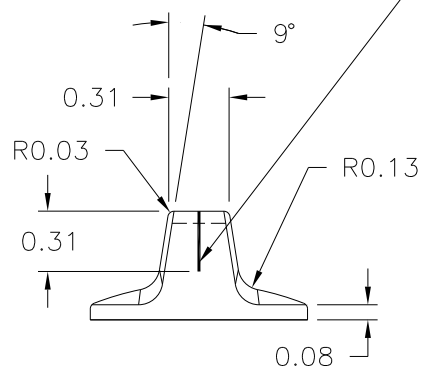


NO SCALE/ FOR REFERENCE

Ⓐ SPECIAL PACKING

PAD PRINTED INDICATOR LINE (0.020 WIDE) FILLED IN-BLACK.



USE #29 DRILL (0.136), #8-32 TAP, #8-32 X 7/16 LG. CUP POINTED, SLOTTED TYPE, SET SCREW I0022.

MATERIAL: UREA FORMALDEHYDE (V32)  
COLOR: IVORY (MUP 32)

TOLERANCES: UNLESS OTHERWISE SPECIFIED	DO NOT SCALE DRAWING			
DECIMALS: X.XXX ± .005 X.XX ± .015	MM: X.XX ± 0.15MM X.X ± 0.4MM	A	ADDED NOTE	JAM 9/9/13
FRACTIONS ± 1/64	ANG. ± 1°	-	UPDATED/HAD TOOLBOX	ST 5/30/01
CHANGES				