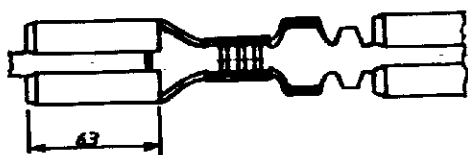
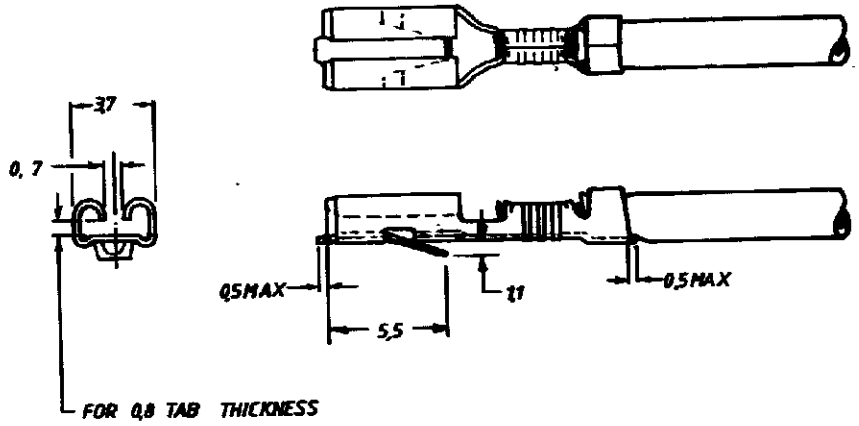


C-160922

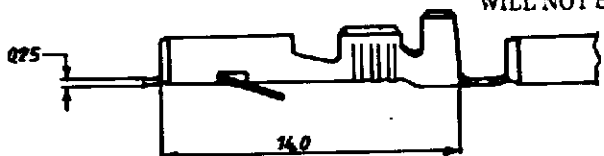
DESIGNATION IN AMERICAN PROJECTION

REVISIONS

LTR	DESCRIPTION	DATE	DWN	APVD
P	REVISED PER ECO-11-005140	31MAR11	RK	HMR



FOR REFERENCE ONLY
WILL NOT BE UP - DATED



NOTES

- 1 REELED WITH PAPER COVER.
- 2 FOR USE ON MINATURE APPLICATORS (L - R FEED) AND STANDARD APPLICATORS (R - L FEED)
- 3 OBSOLETE PARTS: OBSOLETE CIS STREAMLINING PER D.RENAUD/D.SINISI

CUSTOMER COPY FOR REFERENCE ONLY



TE Connectivity

16 0922-4	PH.BRONZE	TINPLATED
16 0922-3	PH.BRONZE	UNPLATED
16 0922-2	BRASS	TINPLATED
16 0922-1	BRASS	UNPLATED
ORDER NO.	MATERIAL	PLATING
Rv Lokven 15.09.87		
KK	29/09/09	

IN OR RANGE	MIN. RANGE	FAST. SEC.	NO.	REV.
0.2-0.5mm	10-16 for FLXc		C-160922	P
.110 SRS FAST-IN-ON RECEPTACLE				

MEMBER OF THE TE CONNECTIVITY GROUP