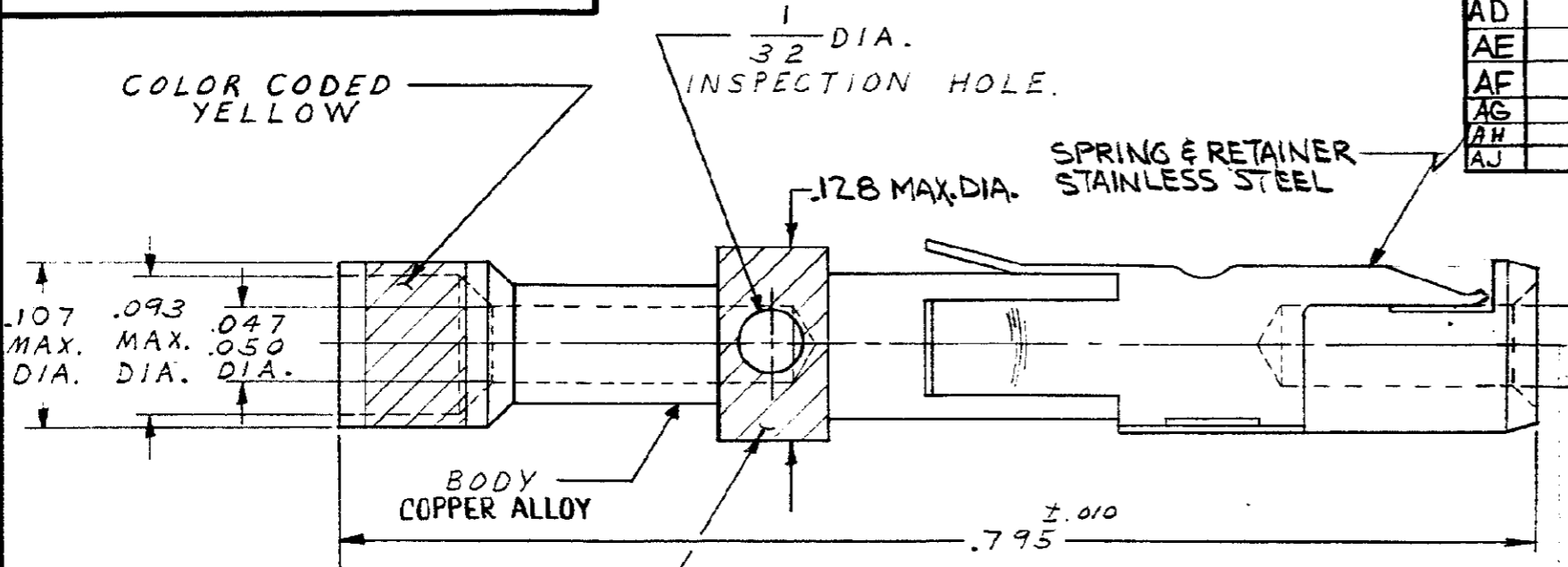


© 1959 BY AMP INCORPORATED. ALL RIGHTS RESERVED. AMP PRODUCTS COVERED BY PATENTS AND/OR PATENTS PENDING.

NUMBER 200331

REVISIONS				
SYM	ZONE	DESCRIPTION	DATE	APPROVAL
AC		OBSOLETE -3 & -7 ECN D-260	9/12/74	DS
AD		REVISED ECN S4142	9-17-87	THW
AE		OBSOLETE -8 PER ECN S4350	12-15-87	THW
AF		OBSOLETE 1-0 PER ECN S4623	5-17-88	THW
AG		OBS-2 & -9 PER ECN S4359	2/7/89	THW
AH		REV PER ECN BD 2619	3-20-89	THW
AJ		OBS-4, -5 & -6 PER ECN BD 3038	10-11-89	J.T.



FOR .041/.039 PIN.

WHEN ORDERING CONTACT ON TAPE, ORDER BY THE TAPE NUMBER PLUS THE PACKAGING CODE AS FOLLOWS:

- FOR USE WITH AMP TAPETRONIC, PNEUMATIC TOOL -
 - A. 1000 PARTS TO A BOX ADD PACKAGING CODE: 1MBOX
- FOR USE WITH 4/8 INDENT STRIPPER CRIMPER -
 - A. 1000 PARTS TO A REEL ADD PACKAGING CODE: 1MREEL
 - B. 5000 PARTS TO A REEL ADD PACKAGING CODE: 5MREEL

OBSOLETE	200331-9	.00005 MIN GOLD OVER .00003 MIN NICKEL	1-200331-0	OBSOLETE
OBSOLETE	200331-7	.00005 MIN RHOBIUM OVER .00005 MIN POROUS NICKEL		
OBSOLETE	200331-6	.0001 MIN GOLD OVER .00005 MIN NICKEL		
OBSOLETE	200331-5	.000015 MIN GOLD OVER .00005 MIN NICKEL		
OBSOLETE	200331-4	.0001 MIN GOLD OVER .0001 MIN SILVER		
OBSOLETE	200331-3	.00004 GOLD OVER .00003 NICKEL		
OBSOLETE	200331-2	.0001 MIN SILVER OVER .00003 MIN NICKEL		
	200331-1	.00003 MIN GOLD OVER .00005 MIN NICKEL	200331-8	OBSOLETE
	PART NO.	FINISH	TAPE MTD ASSY NO	

NOTE:

- PLATING THICKNESS TO BE MEASURED ON SURFACES ACCESSIBLE WITH 1/4 INCH DIAMETER SPHERE.
- WIRE SIZE: 20 TO 24

QTY REQD	PART OR IDENTIFYING NO.	NOMENCLATURE OR DESCRIPTION	LIST OF MATERIALS OR PARTS LIST	
			UNLESS OTHERWISE SPECIFIED DIMENSIONS ARE IN INCHES TOLERANCES ON	
			FRACTIONS ± 1/64	DECIMALS ± .015
			ANGLES ± 1°	
			MATERIAL	SEE CALL OUT
			HEAT TREAT	++
			FINISH	++
			SIGNATURE	DATE
			DR <i>M. Smith</i>	8-21-63
			CHK <i>J. Kaufman</i>	9-22-63
			DSGN ENGR <i>F. B. Wall Jr.</i>	8-23-63
			APPR <i>CLC</i>	9/23/63
			OSGN APPD	
			OTHER APPD	
			AMP TRADEMARK	AMP INCORPORATED HARRISBURG, PENNSYLVANIA
			NAME	# 20 CONTACT SOCKET TYPE II
			CODE IDENT NO	00779
			SIZE	B
			NUMBER	200331
			SCALE 10-1	WT CALC ACTUAL SHEET 1 OF 1

M	LOC	QUANTITY
10	BD39A	