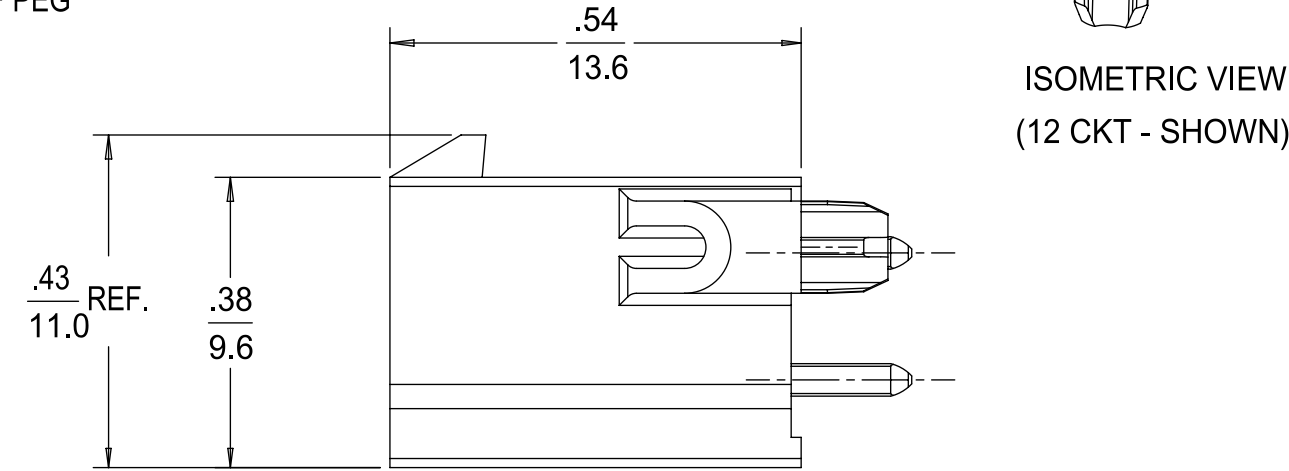
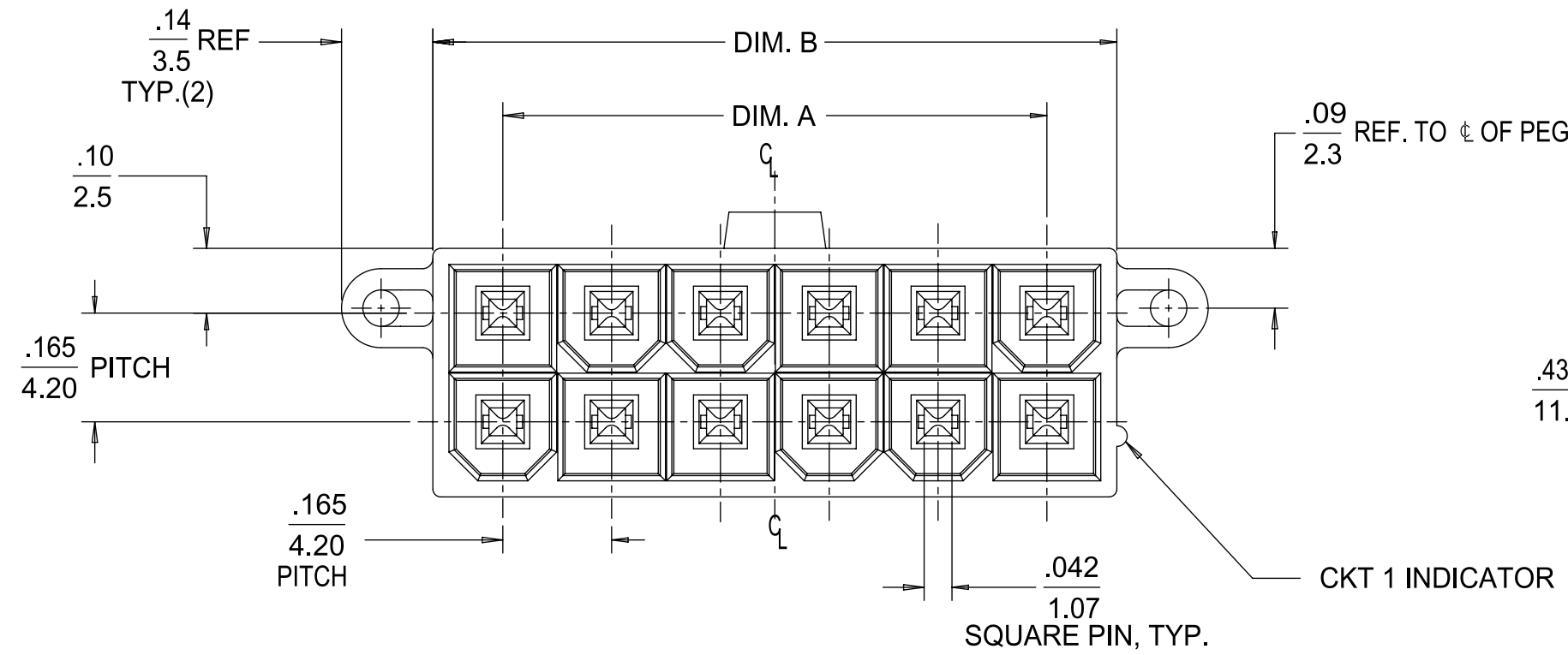
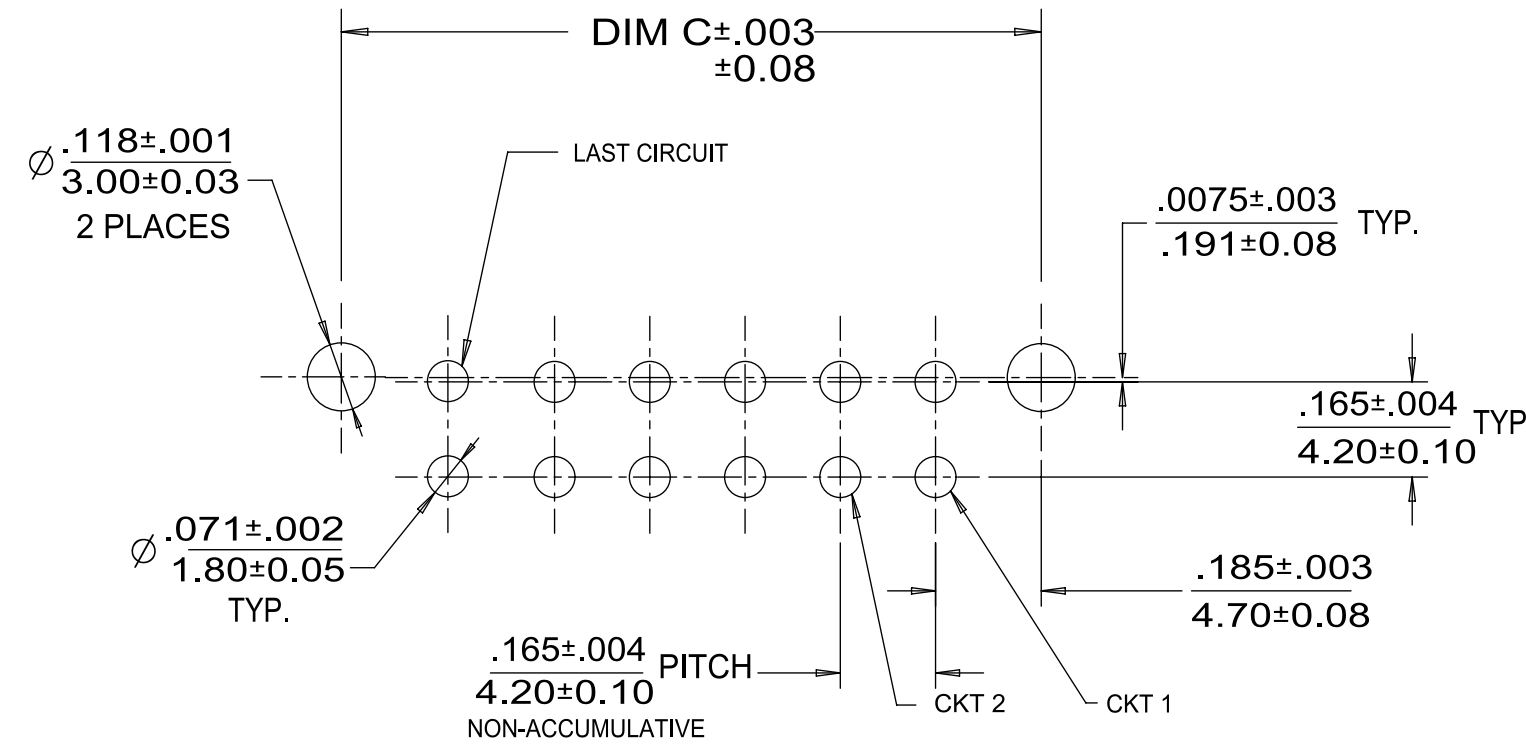
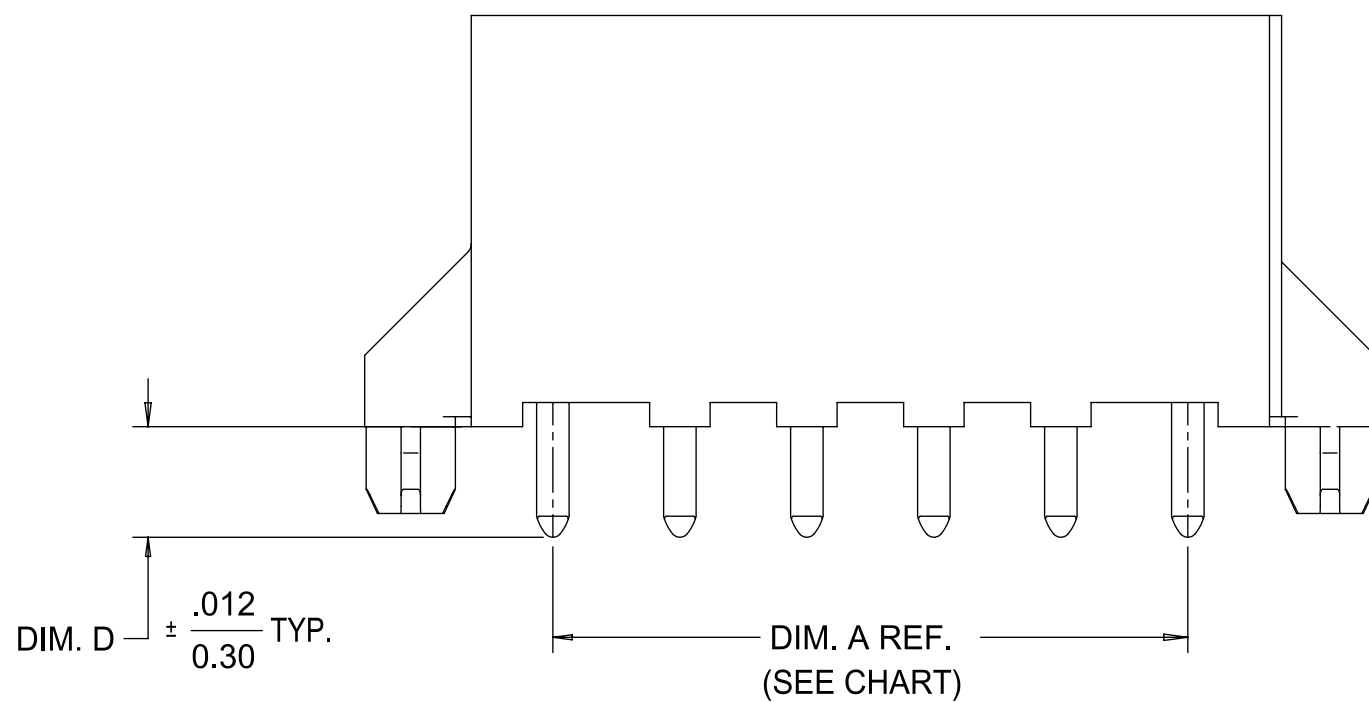


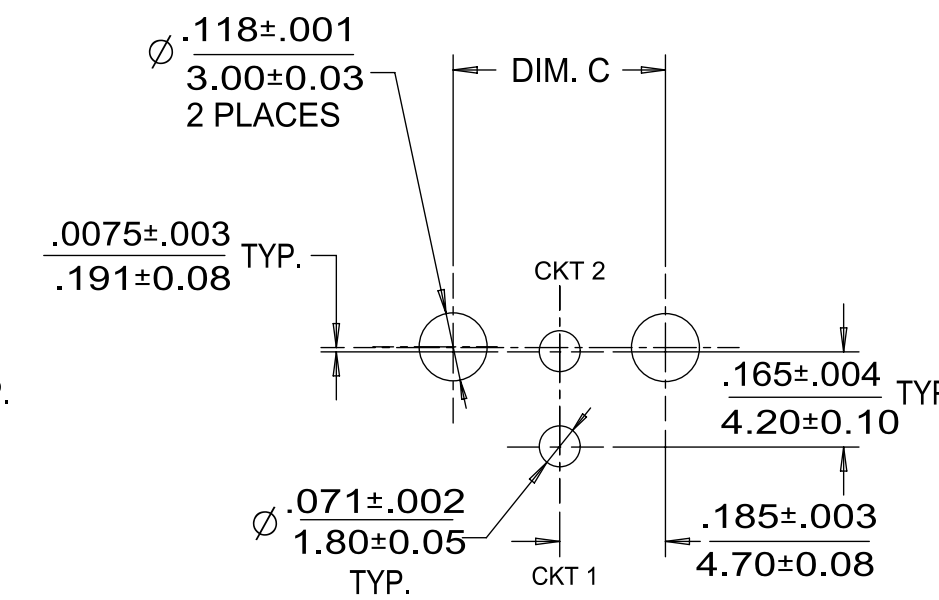
CIRCUIT SIZE	DIM. A	DIM. B	DIM. C
02	NA	0.21/5.4	0.37/9.4
04	0.165/4.20	0.38/9.6	0.535/13.60
06	0.331/8.40	0.54/13.8	0.701/17.80
08	0.496/12.60	0.71/18.0	0.866/22.00
10	0.661/16.80	0.87/22.2	1.031/26.20
12	0.827/21.00	1.04/26.4	1.197/30.40
14	0.992/25.20	1.21/30.6	1.362/34.60
16	1.160/29.40	1.37/34.8	1.528/38.80
18	1.323/33.60	1.54/39.0	1.693/43.00
20	1.488/37.80	1.70/43.2	1.858/47.20
22	1.654/42.00	1.87/47.4	2.024/51.40
24	1.819/46.20	2.03/51.6	2.189/55.60



ISOMETRIC VIEW
(12 CKT - SHOWN)



LAYOUT FOR
4-24 CIRCUIT



LAYOUT FOR
2 CIRCUIT

RECOMMENDED PCB HOLE LAYOUT COMPONENT SIDE
(SCALE 3:1)

NOTES:

- MATERIALS:
HOUSING - LIQUID CRYSTAL POLYMER (LCP), GLASS FILLED, UL 94, V-0, COLOR: BLACK
TERMINAL - BRASS ALLOY
- TERMINAL PLATING:
TIN= .000100/0.00254 MIN MATTE TIN OVER
.000050/0.00127 MIN NICKEL OVERALL
GOLD= .000030/0.00076 MIN. SELECT GOLD AND
.000100/0.00254 MIN. SELECT MATTE TIN OVER
.000050/0.00127 MIN NICKEL OVERALL
- PRODUCT SPECIFICATION: PS-46207-001
- PACKAGING SPECIFICATION: TRAY PACK PER PK-46207-001
TAPE AND REEL PACK PER PK-46207-002
- PART CONFORMS TO CLASS "B" REQUIREMENTS OF COSMETIC SPECIFICATION PS-45499-002.

QUALITY SYMBOLS	THIS DRAWING CONTAINS INFORMATION THAT IS PROPRIETARY TO MOLEX ELECTRONIC TECHNOLOGIES, LLC AND SHOULD NOT BE USED WITHOUT WRITTEN PERMISSION		GENERAL TOLERANCES (UNLESS SPECIFIED)		DIMENSION UNITS	SCALE				
▽ = 0	2015/10/27	2015/10/27	ANGULAR TOL ± 0.5 °		IN/MM	4:1				MINI-FIT RTC HI-TEMP VERTICAL HEADER IN LCP, W/PCB PEGS
▽ = 0	ADDED GOLD PINS	2015/11/10	4 PLACES ±		DRWN BY	DATE	PRODUCT CUSTOMER DRAWING			
▽ = 0	EC NO: 101566	CD	3 PLACES ±		DROSCA	08/07/2006	SERIES	MATERIAL NUMBER	CUSTOMER	
▽ = 0	DRWN: CD	CHKD: JBELL	2 PLACES ± 0.13		CHK'D BY	DATE	46207	SEE CHART	GENERAL MARKET	
▽ = 0	REV: APPR: FSMITH		1 PLACE ± 0.25		BWIRKUS	08/07/2006	DOCUMENT NUMBER	DOC TYPE	DOC PART	SHEET NUMBER
▽ = 0			0 PLACES ±		BWIRKUS	08/07/2006	SD-46207-001	PSD	000	1 OF 2
⊠ = 0			DRAFT WHERE APPLICABLE MUST REMAIN WITHIN DIMENSIONS		DRAWING SIZE	THIRD ANGLE PROJECTION				
■ = 0					C					
▽ = 0										

GOLD PLATING					
CIRCUIT SIZE	TAPE & REEL MATERIAL NUMBER	TRAY PACKED MATERIAL NUMBER	DIM. D	PCB THICKNESS	
02	462077002	* 462075002	0.144/3.66	0.062	
04	462077004	* 462075004	0.144/3.66	0.062	
06	462077006	* 462075006	0.144/3.66	0.062	
08	462077008	* 462075008	0.144/3.66	0.062	
10	462077010	* 462075010	0.144/3.66	0.062	
12	462077012	* 462075012	0.144/3.66	0.062	
14	462077014	* 462075014	0.144/3.66	0.062	
16	462077016	* 462075016	0.144/3.66	0.062	
18	462077018	* 462075018	0.144/3.66	0.062	
20	462077020	* 462075020	0.144/3.66	0.062	
22	462077022	* 462075022	0.144/3.66	0.062	
24	462077024	* 462075024	0.144/3.66	0.062	
02		462075102	0.176/4.46	0.093	
04		462075104	0.176/4.46	0.093	
06		462075106	0.176/4.46	0.093	
08		462075108	0.176/4.46	0.093	
10		462075110	0.176/4.46	0.093	
12		462075112	0.176/4.46	0.093	
14		462075114	0.176/4.46	0.093	
16		462075116	0.176/4.46	0.093	
18		462075118	0.176/4.46	0.093	
20		462075120	0.176/4.46	0.093	
22		462075122	0.176/4.46	0.093	
24		462075124	0.176/4.46	0.093	
02		462075202	0.207/5.26	0.125	
04		462075204	0.207/5.26	0.125	
06		462075206	0.207/5.26	0.125	
08		462075208	0.207/5.26	0.125	
10		462075210	0.207/5.26	0.125	
12		462075212	0.207/5.26	0.125	
14		462075214	0.207/5.26	0.125	
16		462075216	0.207/5.26	0.125	
18		462075218	0.207/5.26	0.125	
20		462075220	0.207/5.26	0.125	
22		462075222	0.207/5.26	0.125	
24		462075224	0.207/5.26	0.125	

* DESIGNATES PART NOT RELEASED
CONTACT FACTORY FOR AVAILABILITY.

TIN PLATING					
CIRCUIT SIZE	TAPE & REEL MATERIAL NUMBER	TRAY PACKED MATERIAL NUMBER	DIM. D	PCB THICKNESS	
02	462073002	* 462070002	0.144/3.66	0.062	
04	462073004	* 462070004	0.144/3.66	0.062	
06	462073006	* 462070006	0.144/3.66	0.062	
08	462073008	* 462070008	0.144/3.66	0.062	
10	462073010	* 462070010	0.144/3.66	0.062	
12	462073012	* 462070012	0.144/3.66	0.062	
14	462073014	* 462070014	0.144/3.66	0.062	
16	462073016	* 462070016	0.144/3.66	0.062	
18	462073018	* 462070018	0.144/3.66	0.062	
20	462073020	* 462070020	0.144/3.66	0.062	
22	462073022	* 462070022	0.144/3.66	0.062	
24	462073024	* 462070024	0.144/3.66	0.062	
02		462070102	0.176/4.46	0.093	
04		462070104	0.176/4.46	0.093	
06		462070106	0.176/4.46	0.093	
08		462070108	0.176/4.46	0.093	
10		462070110	0.176/4.46	0.093	
12		462070112	0.176/4.46	0.093	
14		462070114	0.176/4.46	0.093	
16		462070116	0.176/4.46	0.093	
18		462070118	0.176/4.46	0.093	
20		462070120	0.176/4.46	0.093	
22		462070122	0.176/4.46	0.093	
24		462070124	0.176/4.46	0.093	
02		462070202	0.207/5.26	0.125	
04		462070204	0.207/5.26	0.125	
06		462070206	0.207/5.26	0.125	
08		462070208	0.207/5.26	0.125	
10		462070210	0.207/5.26	0.125	
12		462070212	0.207/5.26	0.125	
14		462070214	0.207/5.26	0.125	
16		462070216	0.207/5.26	0.125	
18		462070218	0.207/5.26	0.125	
20		462070220	0.207/5.26	0.125	
22		462070222	0.207/5.26	0.125	
24		462070224	0.207/5.26	0.125	

* DESIGNATES PART NOT RELEASED
CONTACT FACTORY FOR AVAILABILITY.

QUALITY SYMBOLS	THIS DRAWING CONTAINS INFORMATION THAT IS PROPRIETARY TO MOLEX ELECTRONIC TECHNOLOGIES, LLC AND SHOULD NOT BE USED WITHOUT WRITTEN PERMISSION					
▽ = 0	EC NO: 101566 DRWN: CD CHKD: JBELL REV APPR: FSMITH 2015/10/27 2015/10/27 2015/11/10 SEE SHEET 1	GENERAL TOLERANCES (UNLESS SPECIFIED)		DIMENSION UNITS	SCALE	
▽ = 0		ANGULAR TOL ± 0.5 °		MM	4:1	
▽ = 0		4 PLACES ±	DRWN BY	DATE		
▼ = 0		3 PLACES ±	DROSCA	08/07/2006		
▽ = 0		2 PLACES ± 0.13	CHKD BY	DATE		
⊠ = 0		1 PLACE ± 0.25	BWIRKUS	08/07/2006		
■ = 0		0 PLACES ±	APPR BY	DATE		
▽ = 0		DRAFT WHERE APPLICABLE MUST REMAIN WITHIN DIMENSIONS	BWIRKUS	08/07/2006		
			DRAWING SIZE	THIRD ANGLE PROJECTION		
			C			
RELEASE STATUS P1		RELEASE DATE	10.11.2015 18:45:58			

molex		
MINI-FIT RTC HI-TEMP VERTICAL HEADER IN LCP, W/PCB PEGS		
PRODUCT CUSTOMER DRAWING		
SERIES	MATERIAL NUMBER	CUSTOMER
46207	SEE CHART	GENERAL MARKET
DOCUMENT NUMBER	DOC TYPE	DOC PART SHEET NUMBER
SD-46207-001	PSD	000 2 OF 2